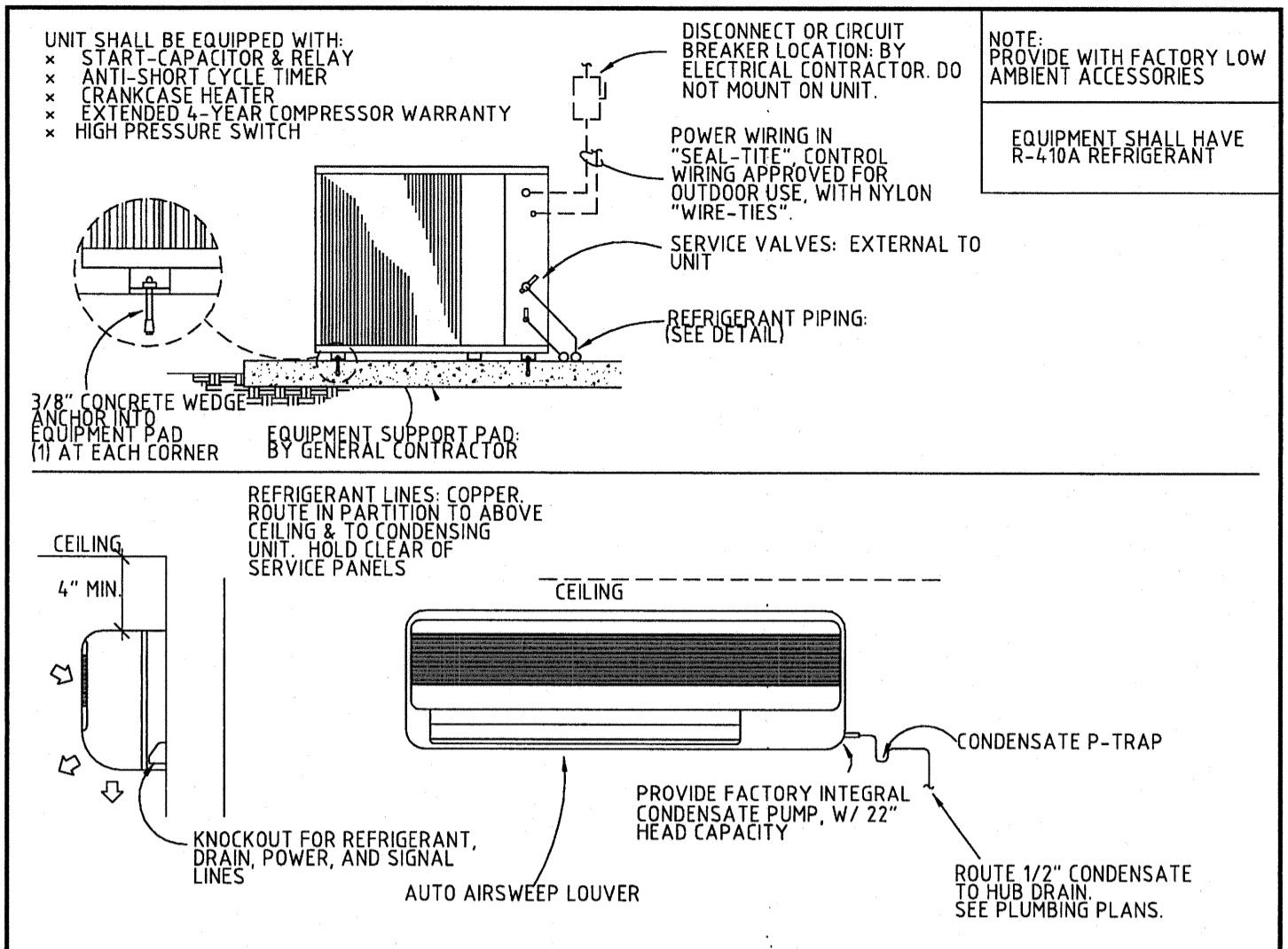
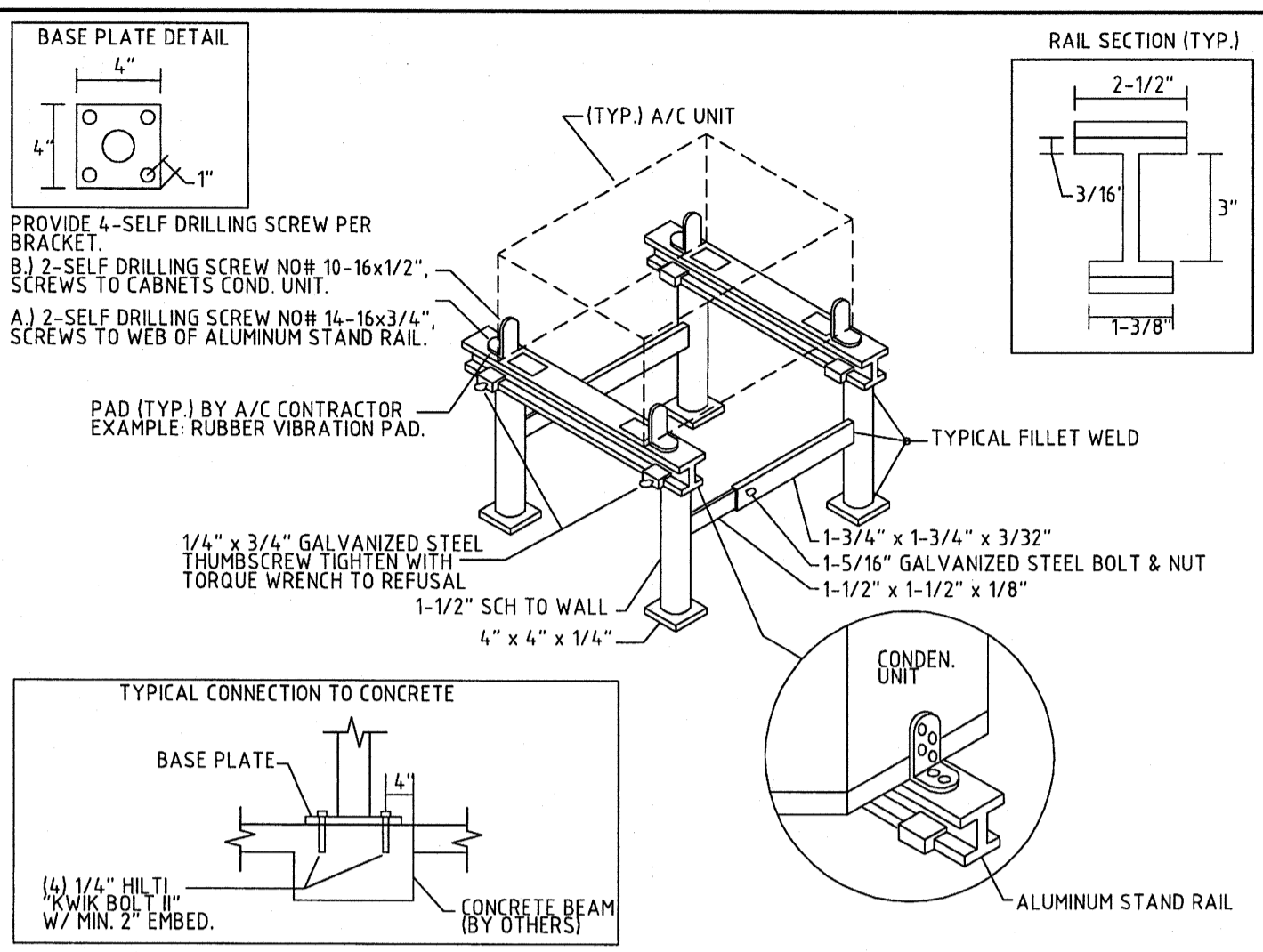


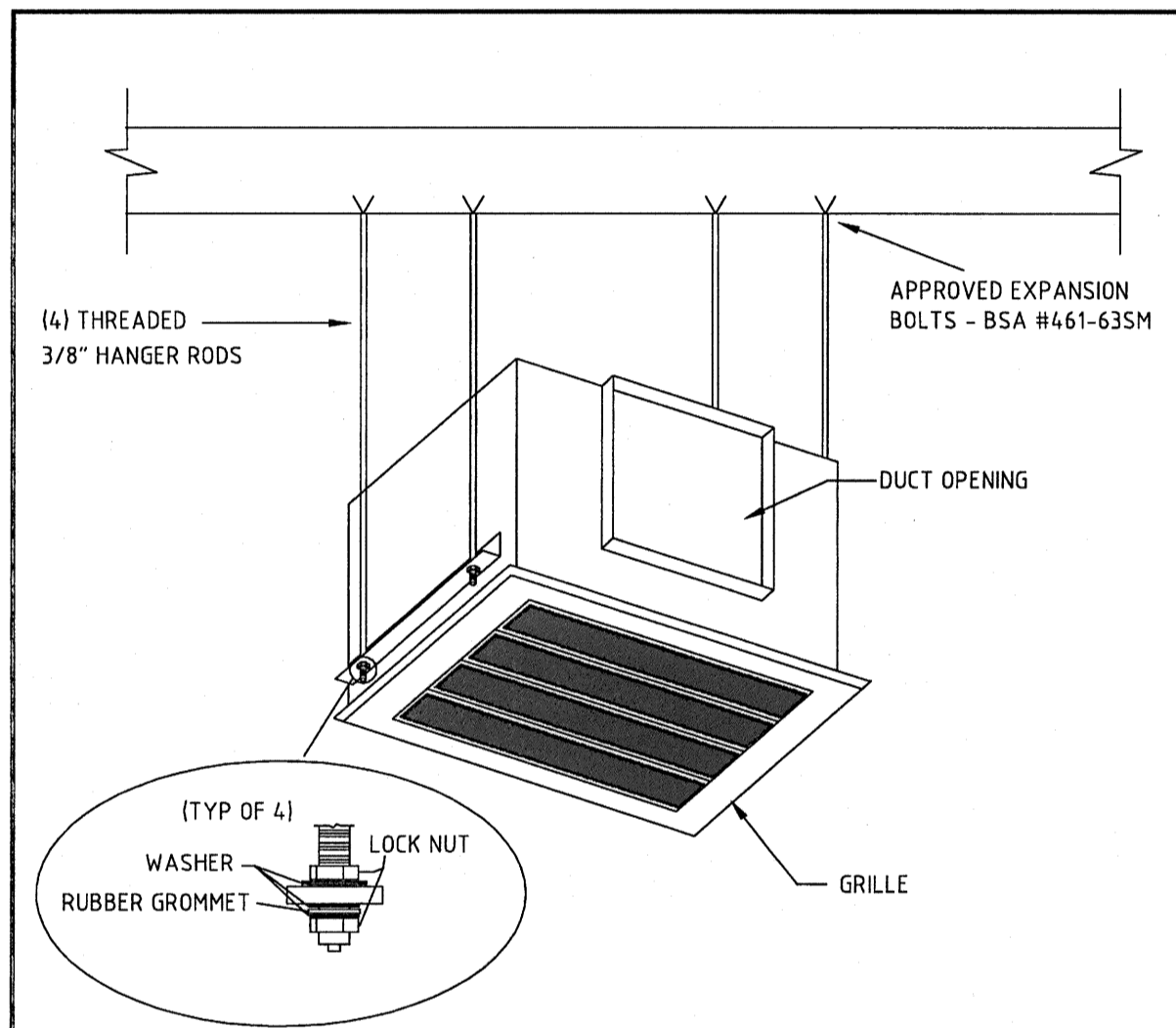
DETAIL NO. 1 **CONDENSER MOUNTING DETAIL** NOT TO SCALE



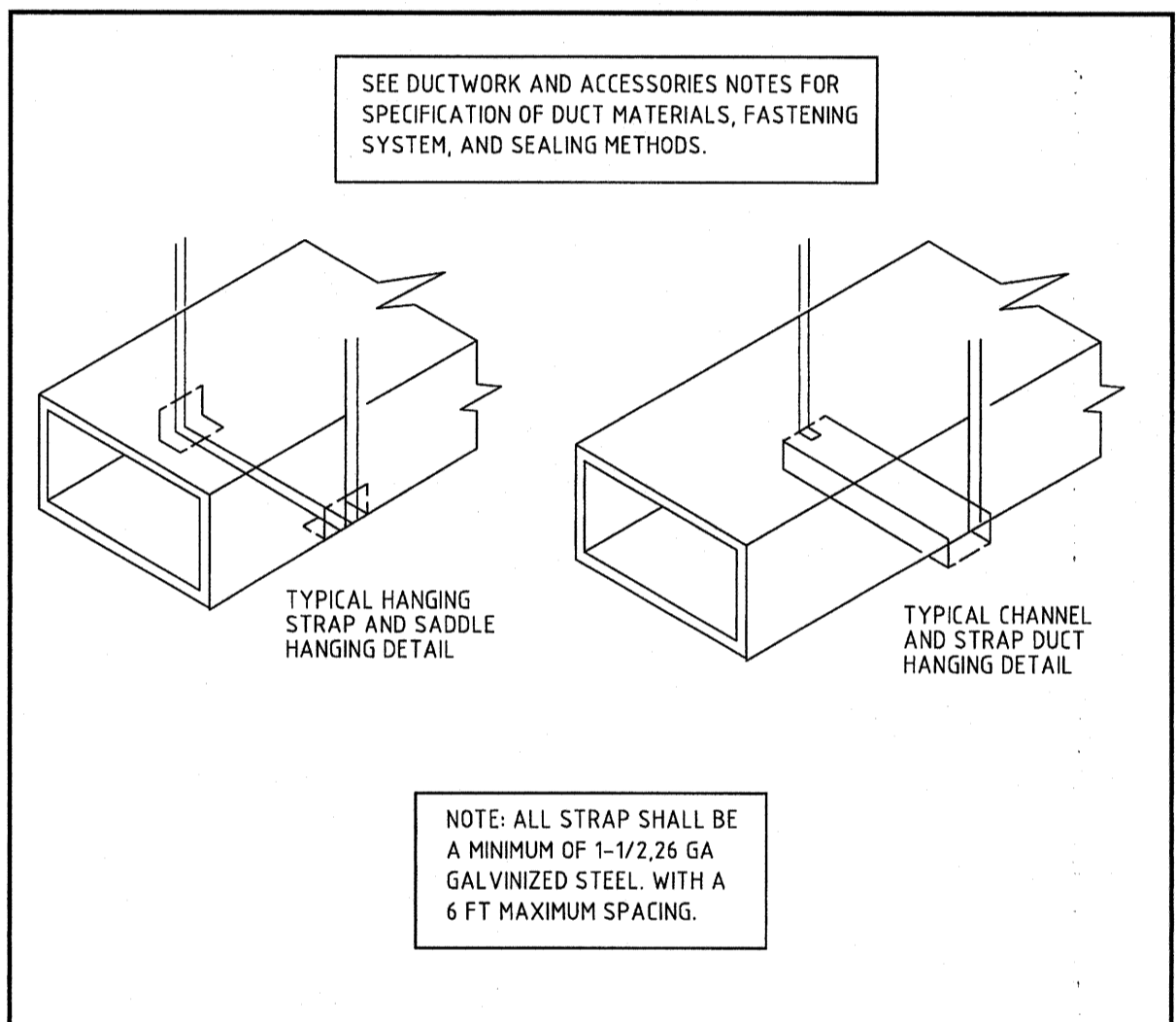
DETAIL NO. 2 **DUCTLESS SPLIT SYSTEM DETAIL** NOT TO SCALE



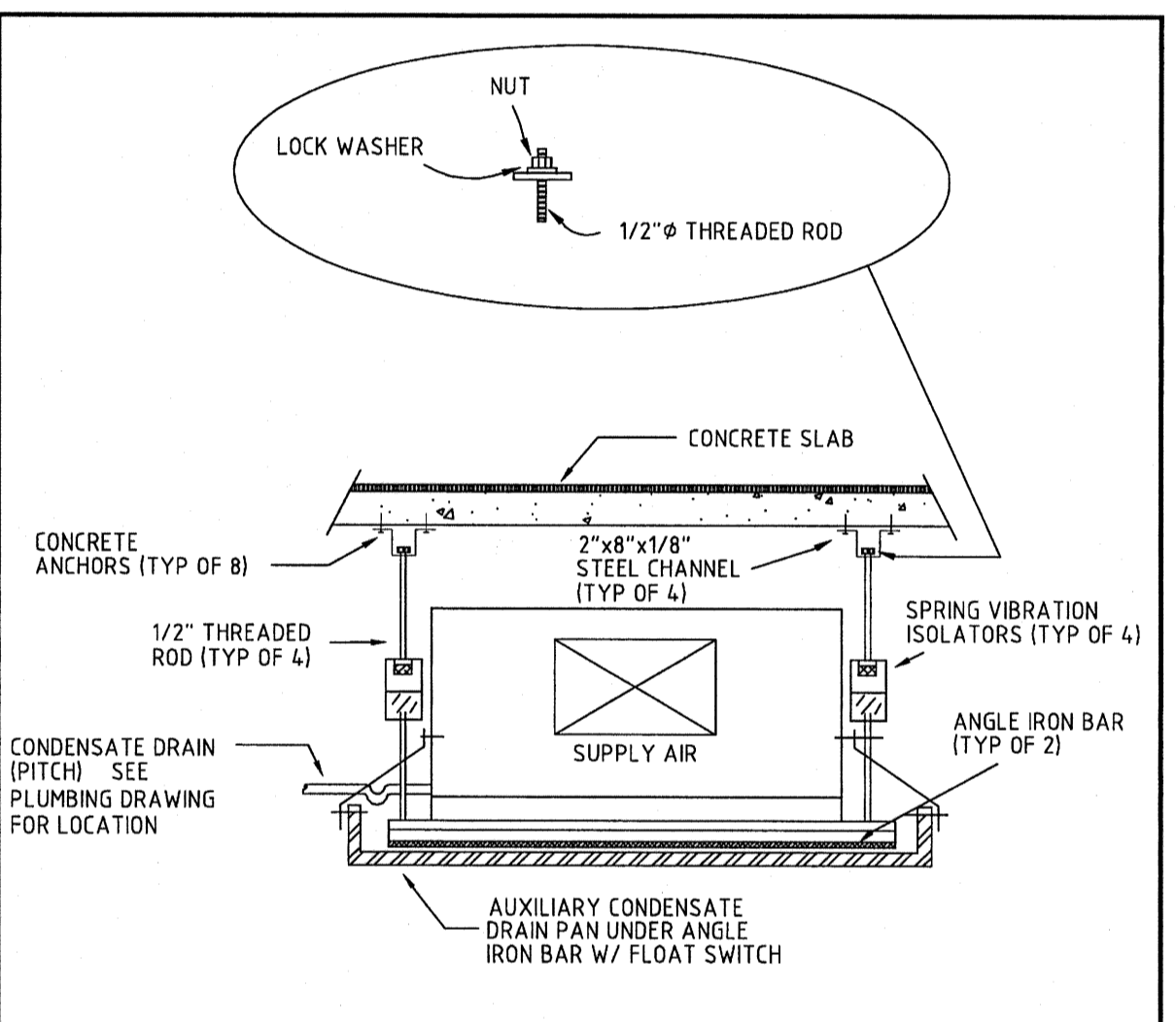
DETAIL NO. 3 **CONDENSER STAND MOUNTING DETAIL** NOT TO SCALE



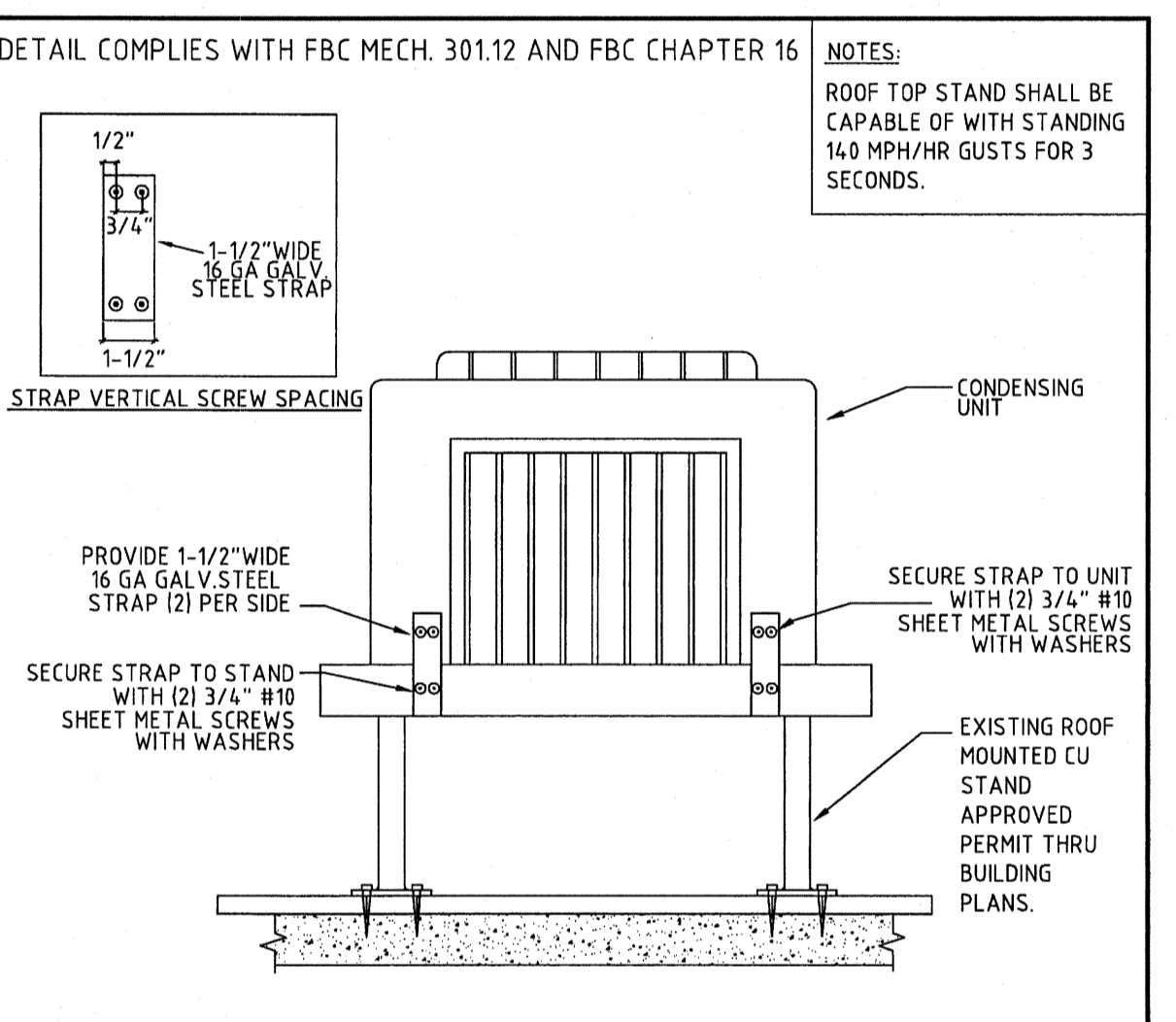
DETAIL NO. 4 **CABINET FAN HANGING SUPPORT DETAIL** NOT TO SCALE



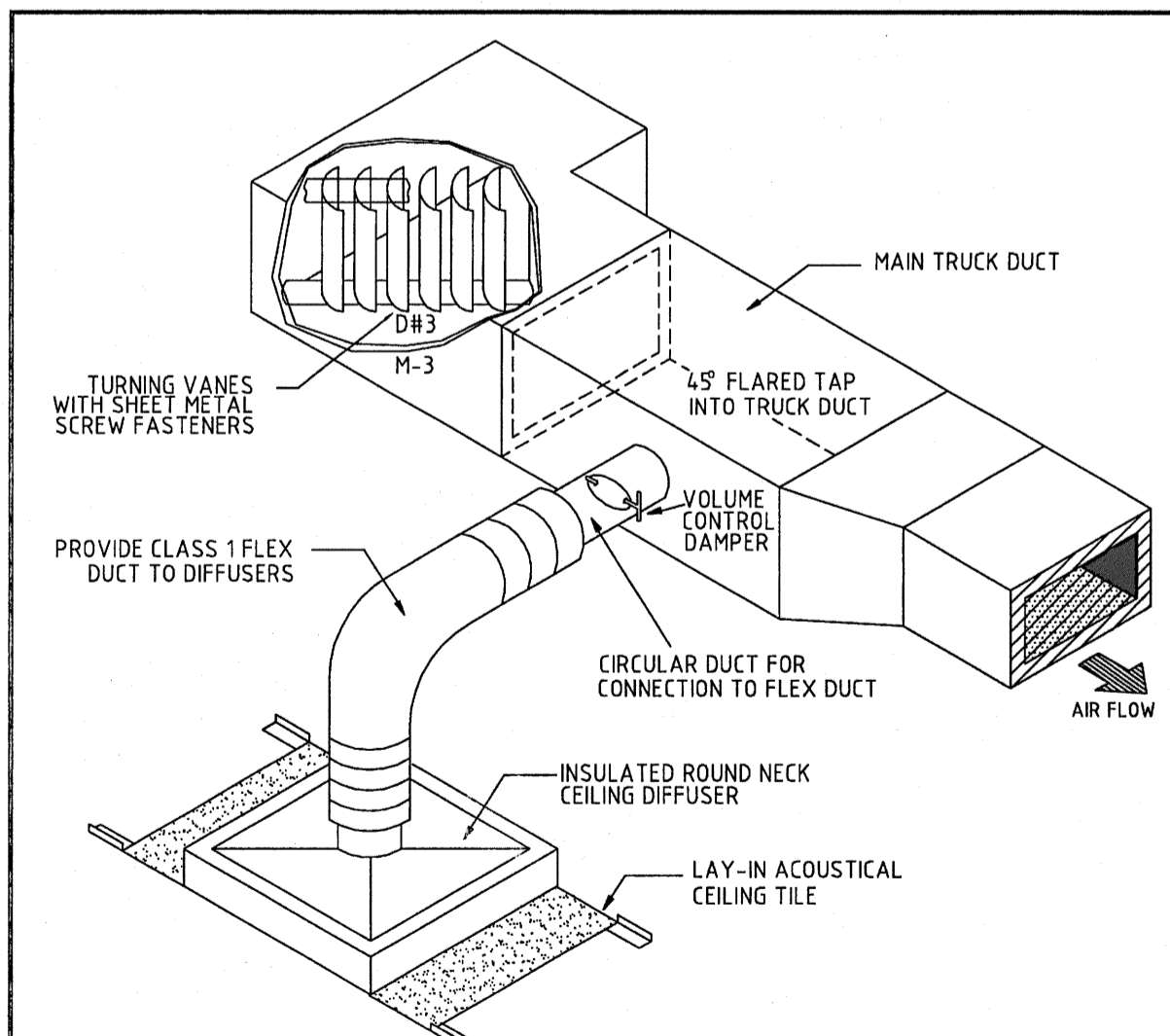
DETAIL NO. 5 **METHODS OF HANGING RIGID FIBERGLASS DUCT DETAIL** NOT TO SCALE



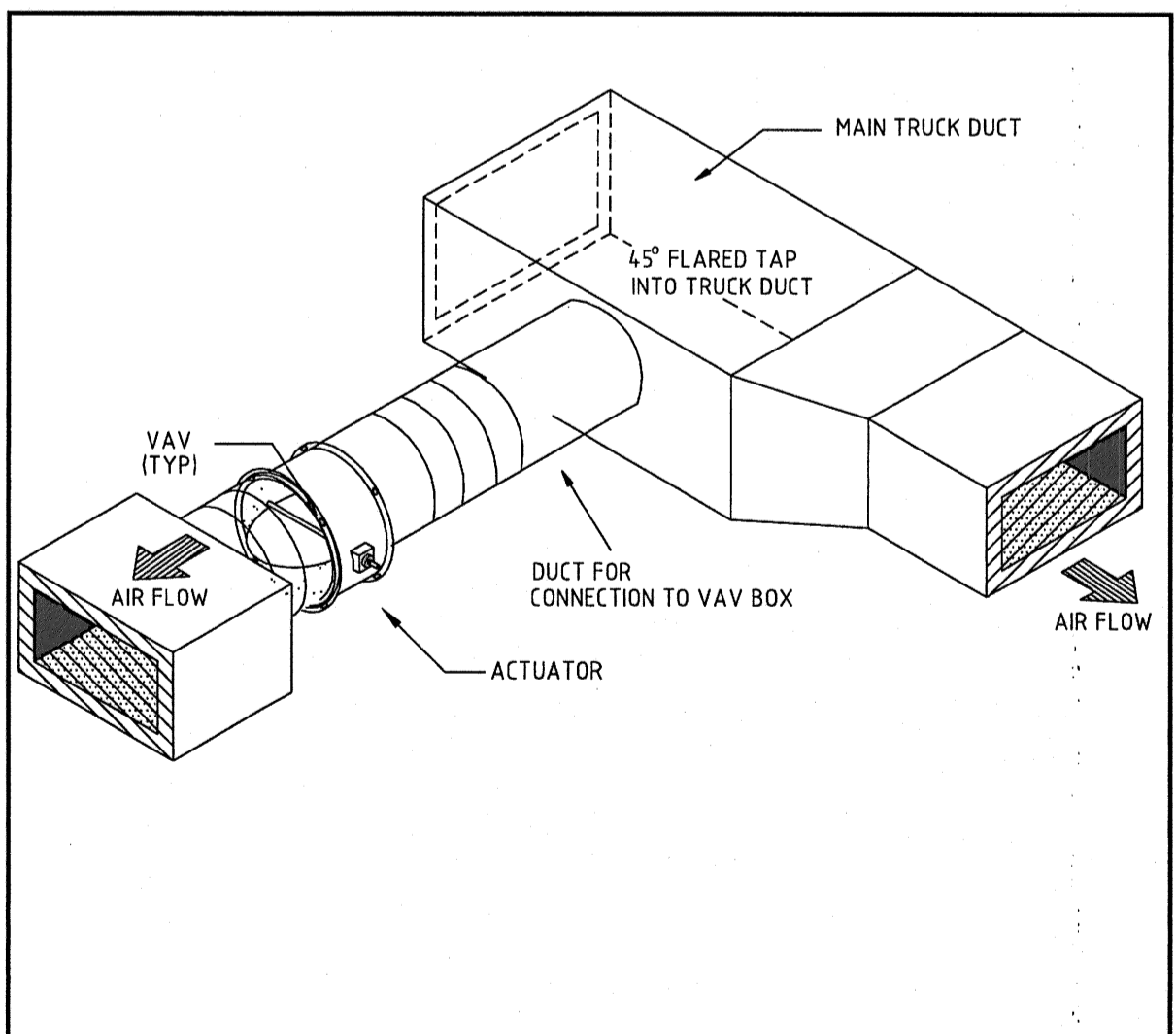
DETAIL NO. 6 **AHU MOUNTING DETAIL** NOT TO SCALE



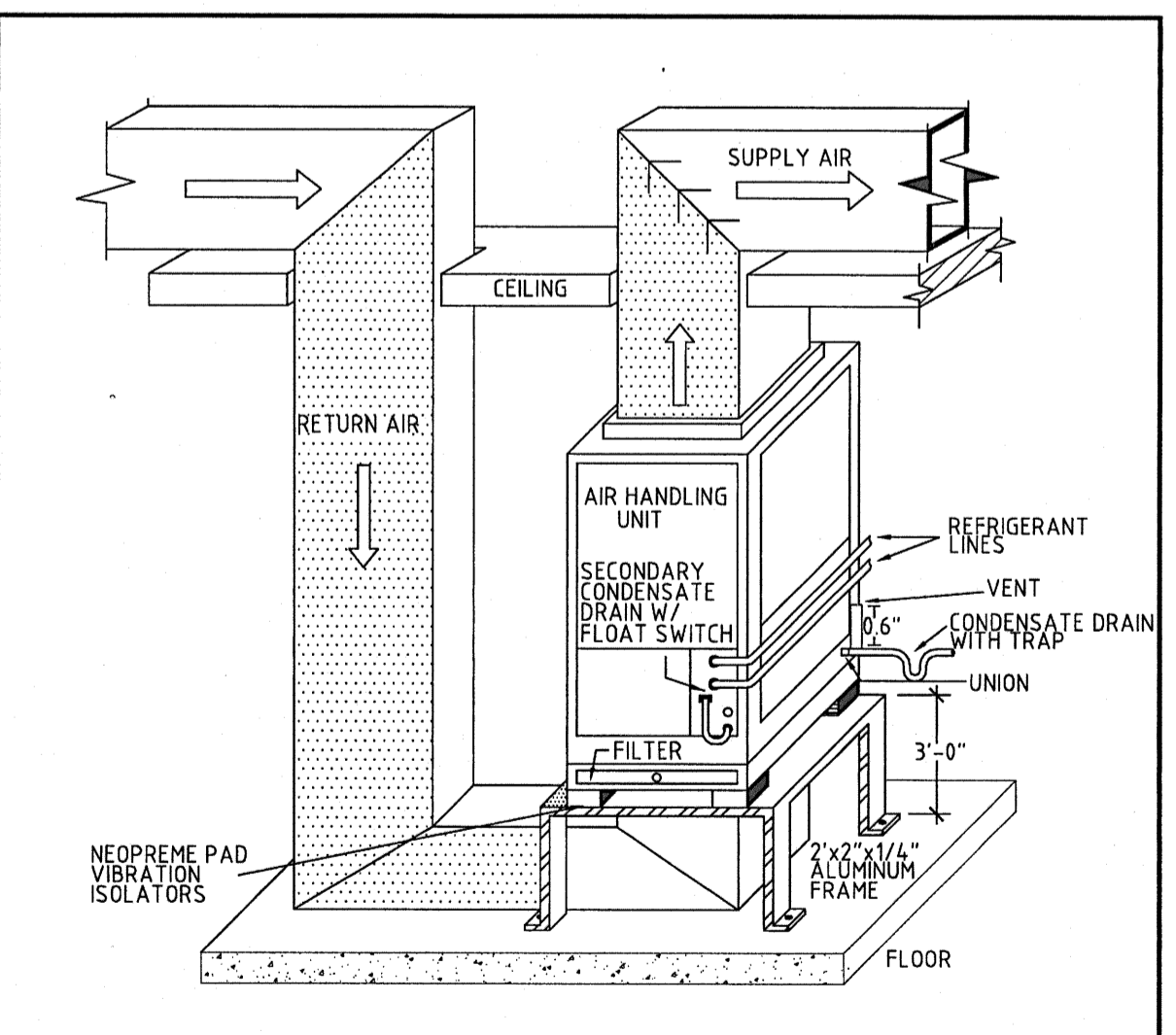
DETAIL NO. 7 **CONDENSER ROOF MOUNTING DETAIL** NOT TO SCALE



DETAIL NO. 8 **SPIN COLLAR/TURNING VANE DETAIL** NOT TO SCALE



DETAIL NO. 9 **VAV TRANSITION DETAIL** NOT TO SCALE



DETAIL NO. 10 **AIR HANDLER DETAIL** NOT TO SCALE

FIRE DAMPERS SHALL BE RUSKIN:DFD35 OR EQUAL AND INSTALLED PER MANUFACTURERS INSTALLATION INSTRUCTIONS. SEE ATTACHED SPEC SHEETS

DETAIL NO. 11 **FIRE DAMPER DETAIL** NOT TO SCALE

COPYRIGHTED 2010
THIS ARCHITECTURAL DRAWING IS GIVEN IN CONFIDENCE. NO USE OR DISSEMINATION MAY BE MADE WITHOUT PRIOR WRITTEN CONSENT OF THE ARCHITECT. ALL COMMON LAW RIGHTS OF COPYRIGHT AND OTHERWISE ARE HEREBY SPECIFICALLY RESERVED.

NO CHANGES SHALL BE MADE TO THESE PLANS WITHOUT PRIOR APPROVAL FROM THE ENGINEER OF RECORD. ALL CHANGES SHALL BE SUBMITTED FOR REVIEW PRIOR TO INSTALLATION. NOT FOR BID UNTIL PERMIT HAS BEEN ISSUED.

PERMIT SET: 01/20/11

FAE CONSULTING
1640 N.W. BOGA RATH BLVD.
BOGA RATH, FL 33432
TEL: (561) 391-9292 FAX: (561) 391-9898
CERTIFICATE OF AUTHORIZATION NO. 28107
HAROLD R. TUBBLEN, P.E. LICENSE #19215
MARTIN WHITELOCK, P.E. LICENSE #53899
E-MAIL: INFO@FAECONSULTING.COM

REVISIONS	BY

THE PECK PLAZA
1295 U.S. HIGHWAY ONE
NORTH PALM BEACH, FLORIDA

DRAWN C/AB/AN
CHECKED MW
DATE 01/20/11
SCALE AS NOTED
JOB NO. 10193
SHEET

M2.03
OF 6 SHEETS