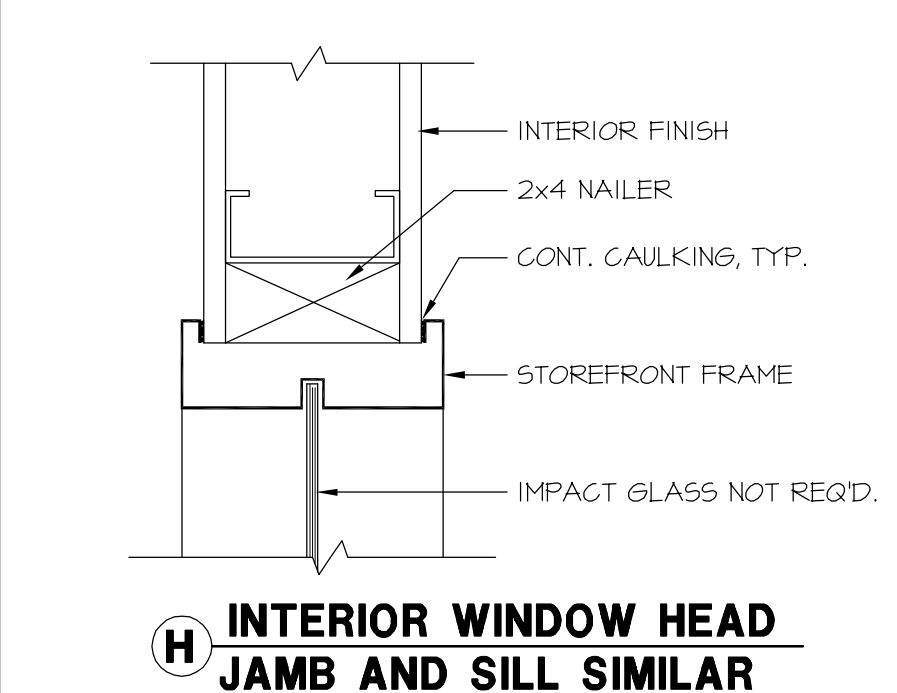
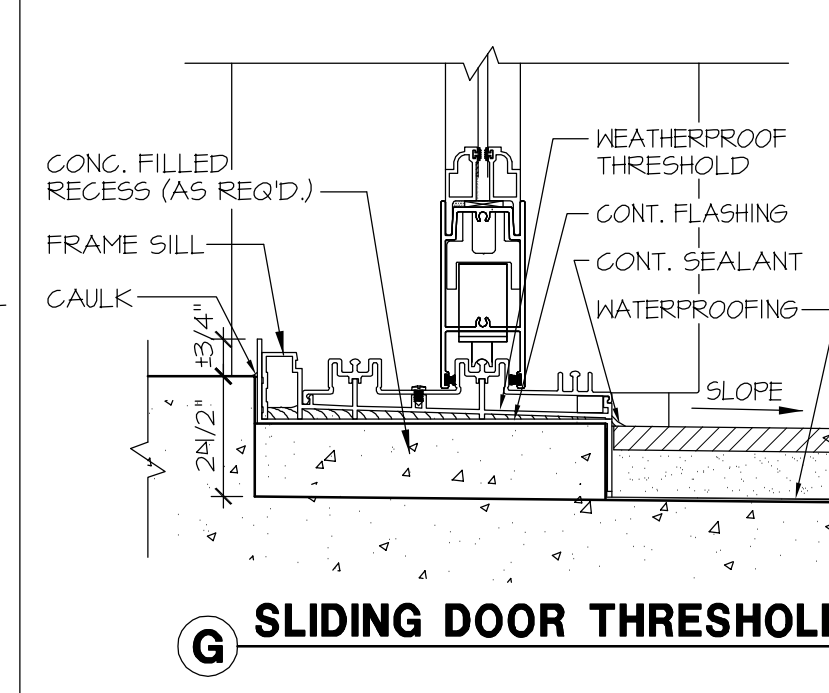
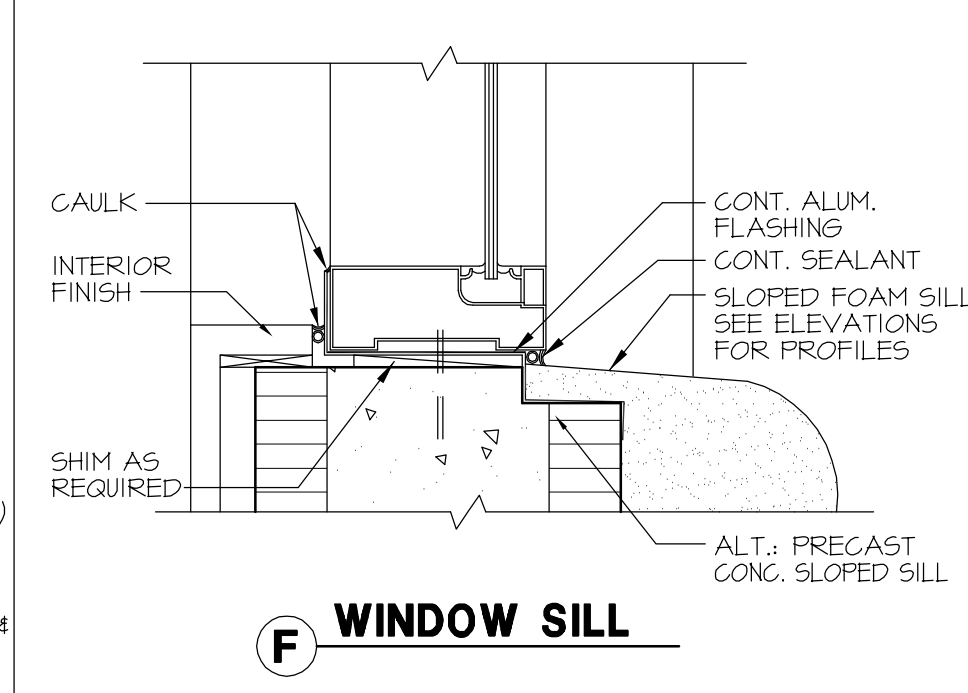
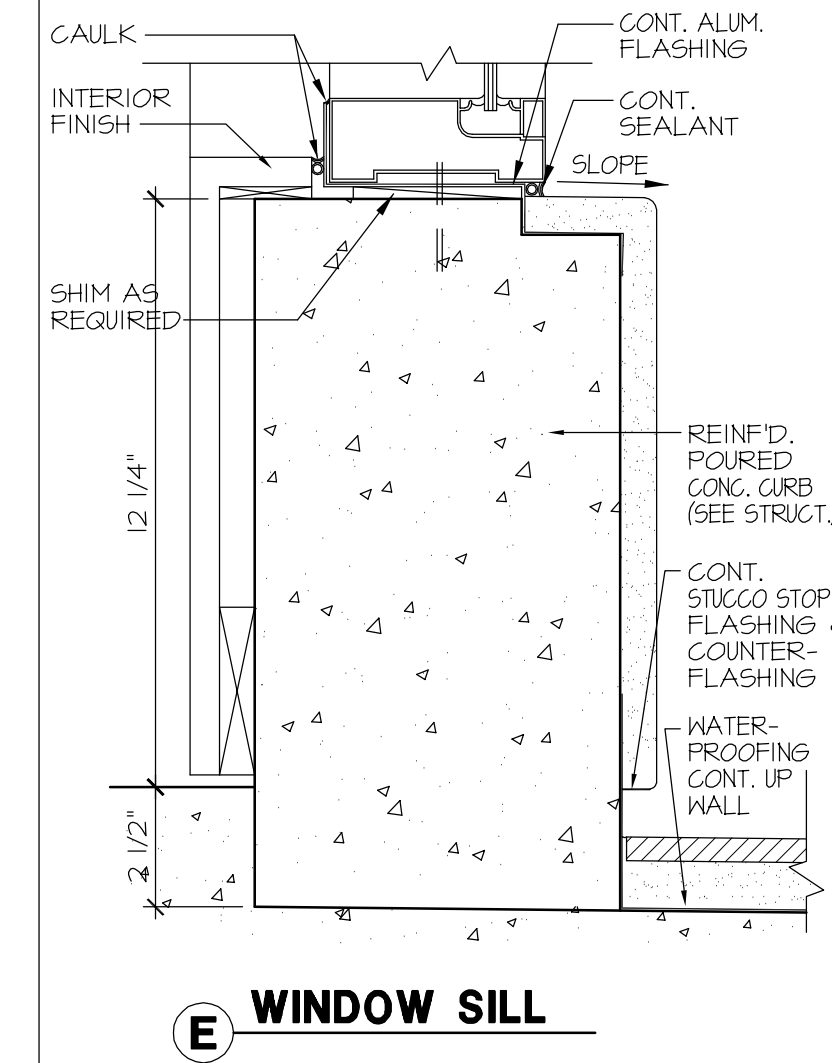
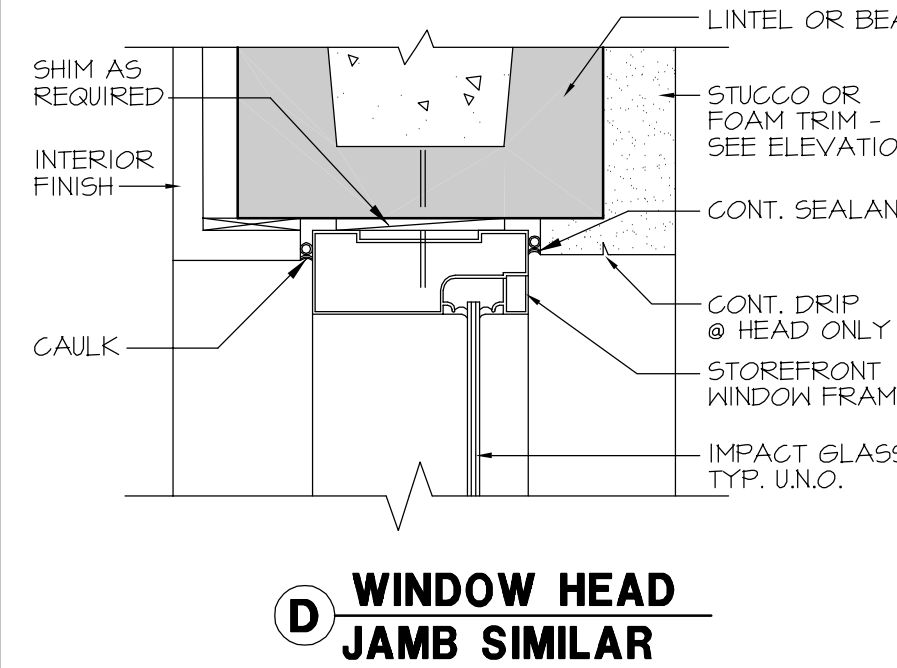
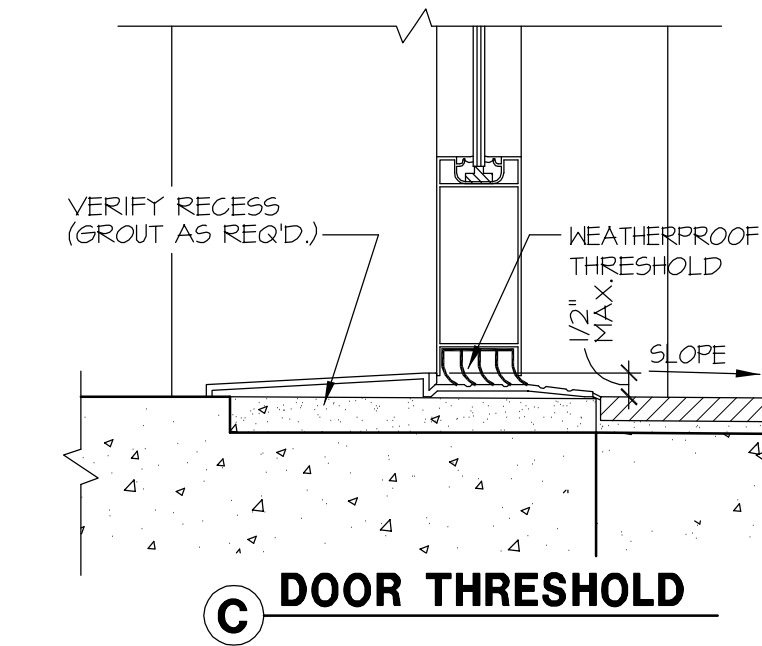
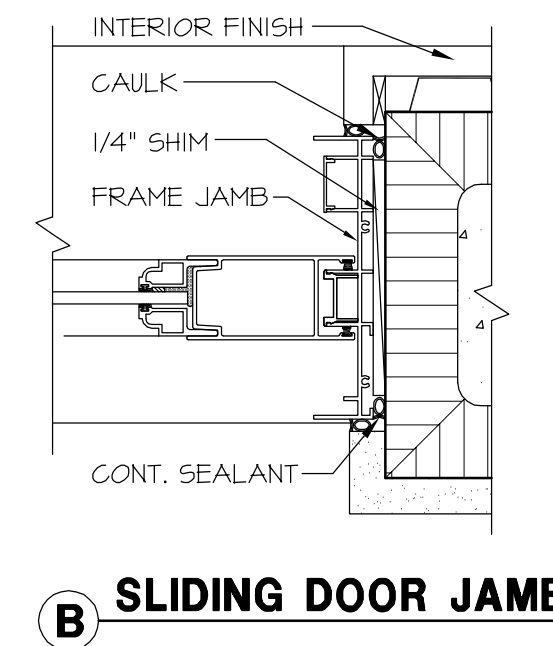
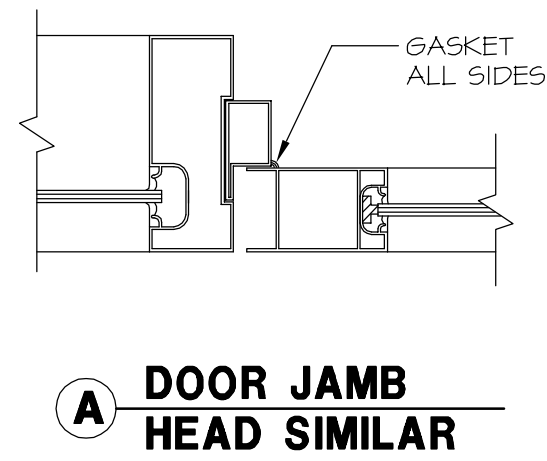


DOOR SCHEDULE										
MK.	DESCRIPTION	SIZE			TYPE	MAT'L.	FRAME MAT'L.	RATING	HDWR SET	REMARKS
		W	H	T						
①	LOBBY ENTRY	3'-0"	8'-0"	1 3/4"	FLUSH	ALUM.	ALUM.	1 1/2 HR.	1	W/ 6" x 16" WIRE GLASS
②	ELEVATOR EQUIPMT.	3'-0"	8'-0"	1 3/4"	FLUSH	ALUM.	ALUM.	1 1/2 HR.	4	
③	ELECTRICAL RM.	3'-0"	8'-0"	1 3/4"	FLUSH	ALUM.	ALUM.	1 1/2 HR.	4	
④	AHU CLOSET	3'-0"	8'-0"	1 3/4"	FLUSH	ALUM.	ALUM.	--	3	
⑤	STAIR #1	3'-0"	8'-0"	1 3/4"	FLUSH	ALUM.	ALUM.	1 1/2 HR.	6	
⑥	STAIR #1 & #2	3'-0"	8'-0"	1 3/4"	FLUSH	ALUM.	ALUM.	1 1/2 HR.	5	
⑦	STAIR #1 & #2	3'-0"	8'-0"	1 3/4"	FLUSH	ALUM.	ALUM.	1 1/2 HR.	7, 23*	*23 @ 3RD FL.
⑧	LOBBY	3'-0"	8'-0"	1 3/4"	FLUSH	SC WOOD	METAL	3/4 HR.	8, 24*	*24 @ RM. 201
⑨	OFFICE, CONF.	3'-0"	8'-0"	1 3/4"	FLUSH	SC WOOD	WOOD	--	9, 19*	*19 @ RM. 309
⑩	I.T. ROOM, STORAGE	3'-0"	8'-0"	1 3/4"	FLUSH	SC WOOD	WOOD	--	12, 13, 15, 20*	*SEE HARDWARE SCH.
⑪	LAVATORY	3'-0"	8'-0"	1 3/4"	FLUSH	SC WOOD	WOOD	--	16, 17*	*17 @ RMS. 314, 321
⑫	CLOSET	(2) 2'-0"	8'-0"	1 3/4"	FLUSH	SC WOOD	WOOD	--	18	
⑬	CLOSET	5'-0"	8'-0"	1 3/4"	BIFOLD	WOOD	--	--	--	
⑭	CONFERENCE	(2) 3'-0"	8'-0"	1 3/4"	FLUSH	SC WOOD	WOOD	3/4 HR.	21	
⑮	LAWYER OFFICE	(2) 3'-0"	8'-0"	1 3/4"	FLUSH	SC WOOD	WOOD	--	22	
⑯	JANITOR CLOSET	3'-0"	8'-0"	1 3/4"	FLUSH	SC WOOD	WOOD	--	14	
⑰	AHU CLOSET	2'-8"	8'-0"	1 3/4"	FLUSH	SC WOOD	WOOD	--	25	SEALS ALL AROUND
⑱	BREAK ROOM	3'-0"	8'-0"	1 3/4"	FLUSH	SC WOOD	WOOD	--	10	
⑲	COPY, MAIL RM.	3'-0"	8'-0"	1 3/4"	FLUSH	SC WOOD	WOOD	--	11	
⑳	CLOSET	1'-6"	8'-0"	1 3/4"	FLUSH	SC WOOD	WOOD	--	26	

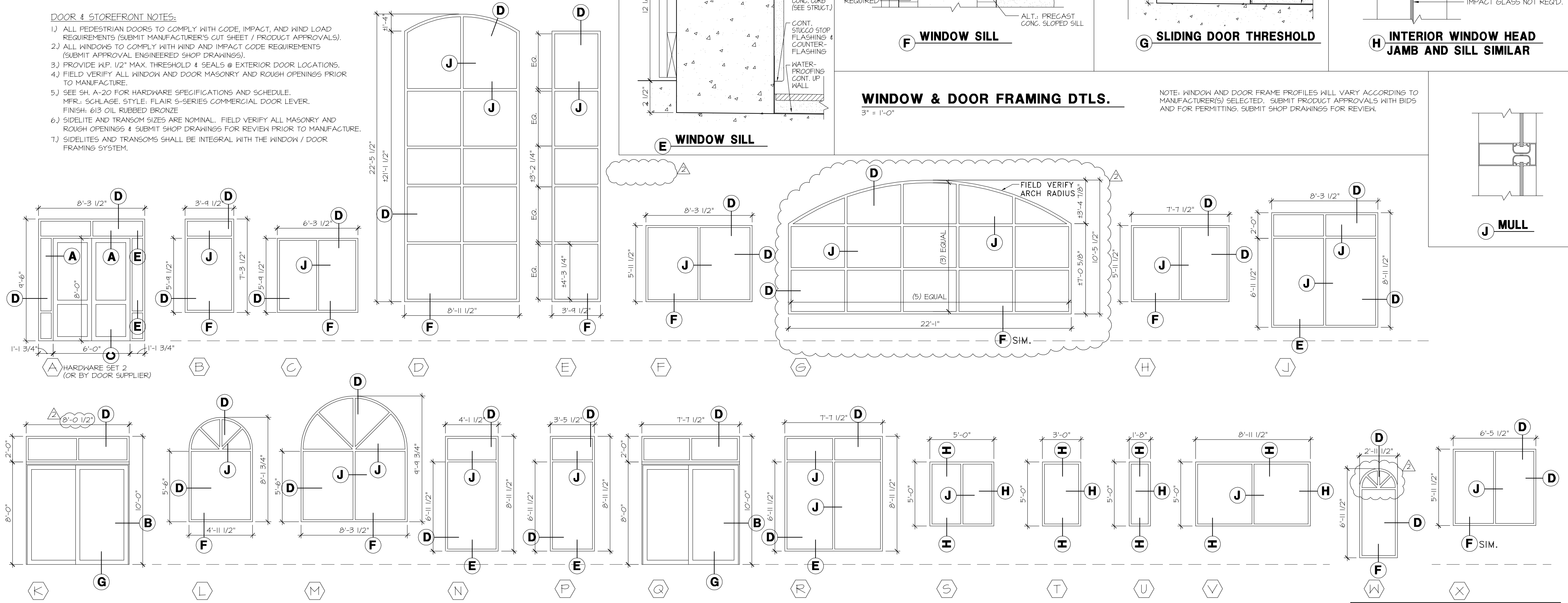
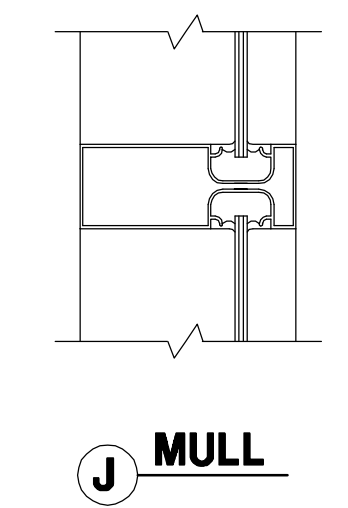
DOOR & STOREFRONT NOTES:

- ALL PEDESTRIAN DOORS TO COMPLY WITH CODE, IMPACT, AND WIND LOAD REQUIREMENTS (SUBMIT MANUFACTURER'S CUT SHEET / PRODUCT APPROVALS).
- ALL WINDOWS TO COMPLY WITH WIND AND IMPACT CODE REQUIREMENTS (SUBMIT APPROVAL ENGINEERED SHOP DRAWINGS).
- PROVIDE W.P. 1/2" MAX. THRESHOLD & SEALS @ EXTERIOR DOOR LOCATIONS.
- FIELD VERIFY ALL WINDOW AND DOOR MASONRY AND ROUGH OPENINGS PRIOR TO MANUFACTURE.
- SEE SH. A-20 FOR HARDWARE SPECIFICATIONS AND SCHEDULE. MFR: SCHLAGE, STYLE: FLAIR S-SERIES COMMERCIAL DOOR LEVER. FINISH: 613 OIL RUBBED BRONZE.
- SIDELITE AND TRANSOM SIZES ARE NOMINAL. FIELD VERIFY ALL MASONRY AND ROUGH OPENINGS & SUBMIT SHOP DRAWINGS FOR REVIEW PRIOR TO MANUFACTURE.
- SIDELITES AND TRANSOMS SHALL BE INTEGRAL WITH THE WINDOW / DOOR FRAMING SYSTEM.

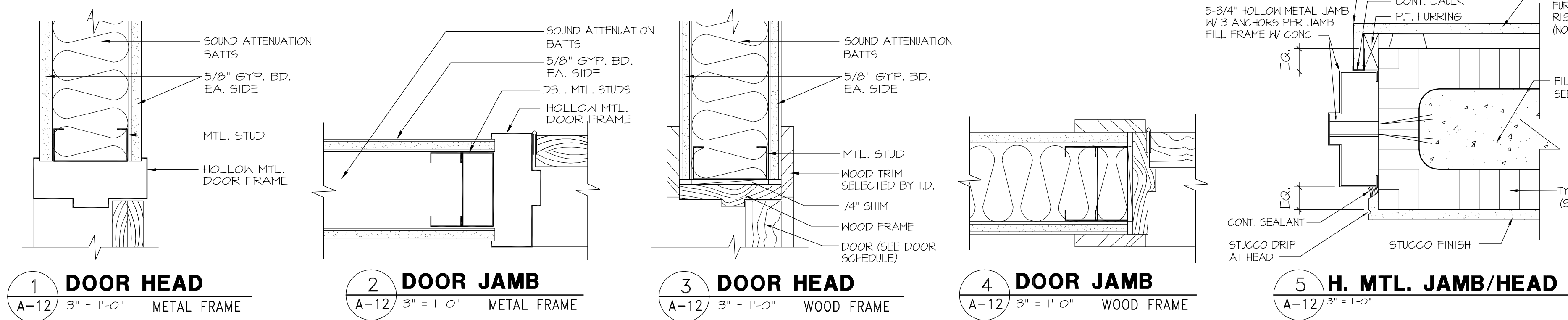


WINDOW & DOOR FRAMING DTLS.
3" = 1'-0"

NOTE: WINDOW AND DOOR FRAME PROFILES WILL VARY ACCORDING TO MANUFACTURER(S) SELECTED. SUBMIT PRODUCT APPROVALS WITH BIDS AND FOR PERMITTING. SUBMIT SHOP DRAWINGS FOR REVIEW.



STOREFRONT WINDOWS & DOORS
1/4" = 1'-0"



STOREFRONT GLAZING SYSTEM:
THE STOREFRONT GLAZING SYSTEM SHALL BE DESIGNED TO WITHSTAND WIND LOADS PER CODE. THE SYSTEM SHALL UTILIZE CONTINUOUS SILL AND HEAD GANS TO INSURE A CONTINUOUS WATER GUTTER THAT CAN BE KEPT TO THE EXTERIOR. THE VERTICAL MULLIONS MUST BE RETAINED WITHIN THE CHANNEL TO ENSURE INFILTRATED WATER IS CONTAINED WITHIN THE GUTTER. AIR INFILTRATION SHALL NOT EXCEED .06 GPM PER SQUARE FOOT OF FIXED AREA WHEN TESTED IN ACCORDANCE WITH ASTM E288. THERE SHALL BE NO WATER INFILTRATION WHEN TESTED IN ACCORDANCE WITH ASTM E331 AT PRESSURE OF 1 P.S.F.

ALUMINUM FINISH:
ARCH IMPACT WALL (900) IMPACT RESISTANT FRAMING, METAL FINISH TO BE DARK BRONZE ANODIZED.

GLASS:
ALL GLASS TO BE IMPACT RESISTANT 9/16\"/>

COPYRIGHTED 2011
THIS ARCHITECTURAL DRAWING IS GIVEN IN CONFIDENCE. NO USE OR DISSEMINATION MAY BE MADE WITHOUT PRIOR WRITTEN CONSENT OF THE ARCHITECT. ALL COMMON LAW RIGHTS OF COPYRIGHT AND OTHERWISE ARE HEREBY SPECIFICALLY RESERVED.

REVISIONS	BY
6/23/11 - MISC. REVISIONS	

architectural design Associates
jeffrey d. gappas architect
FLORIDA LICENSING NUMBER: 13614 & 13615
4290 professional center drive
suite 509
palm beach gardens, florida 33410
jg@adad.com

PECK PLAZA
1295 U.S. HIGHWAY ONE
NORTH PALM BEACH, FLORIDA

DRAWN
ONOKED
DATE P.S. 1/20/11
SCALE AS NOTED
JOB NO.
SHEET
A-12
OF SHEETS