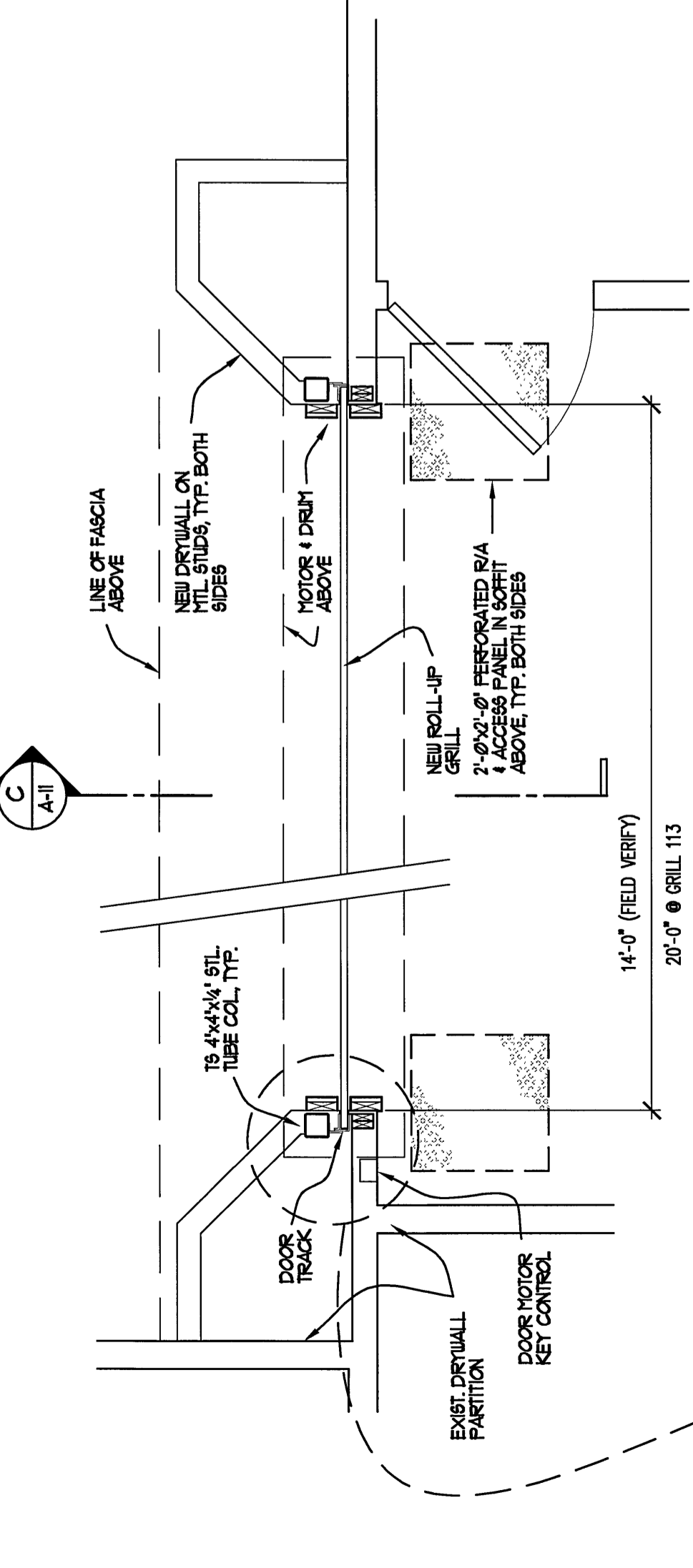
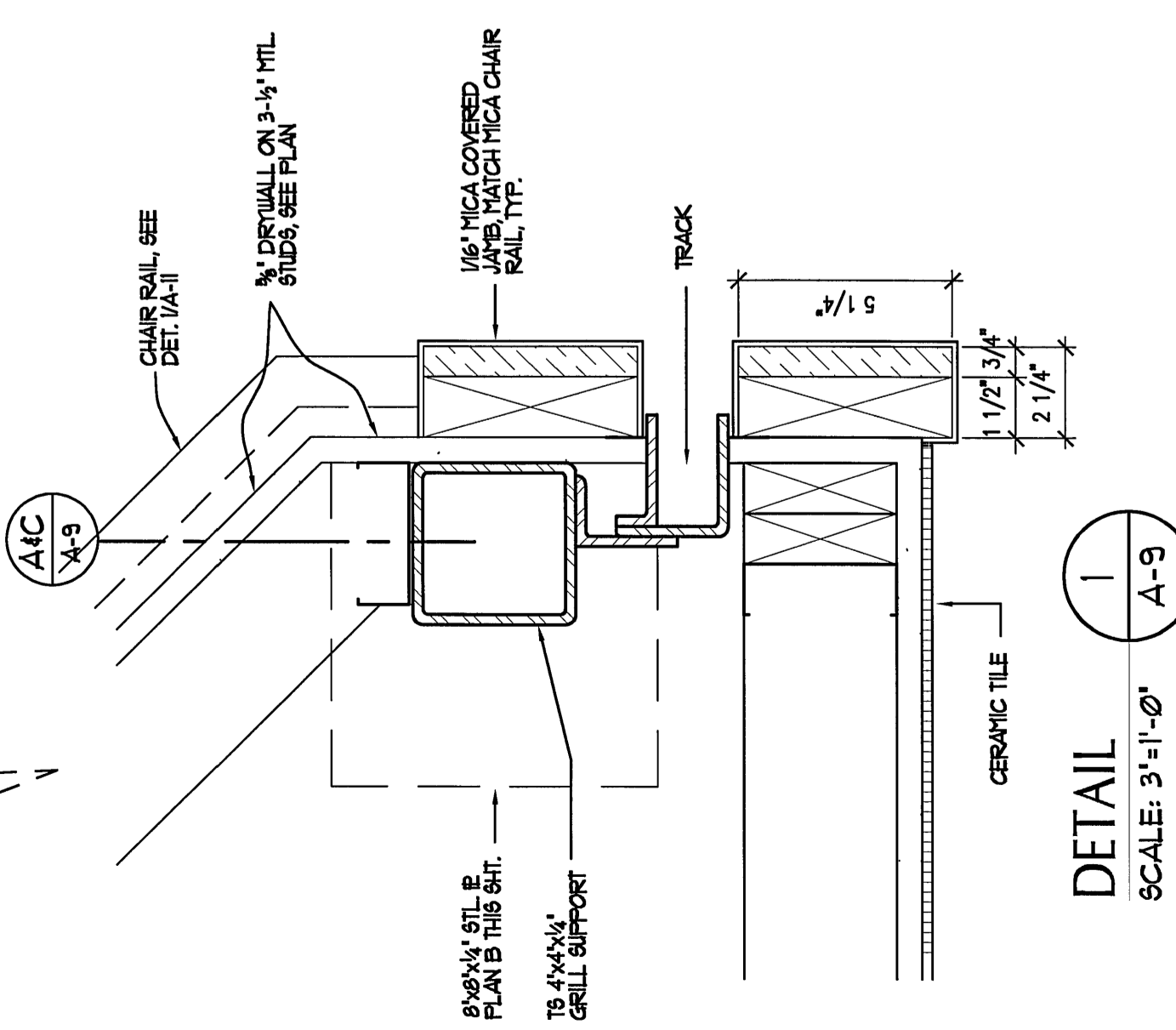


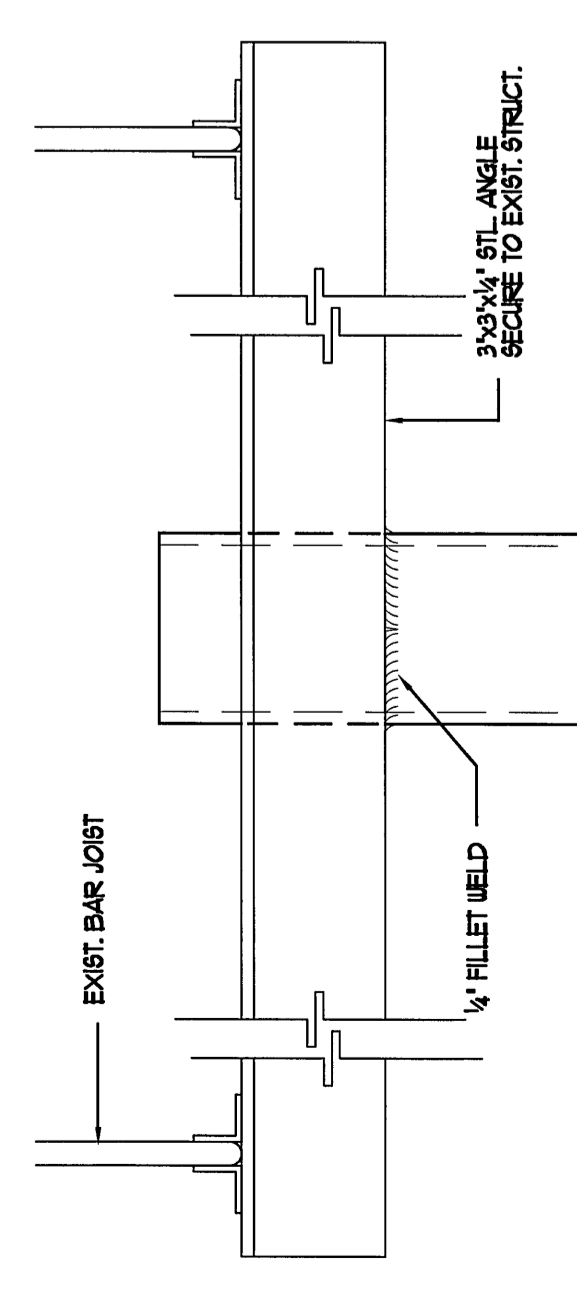
SERVING AREA PLAN
 SCALE: 1/4"=1'-0"
 NORTH



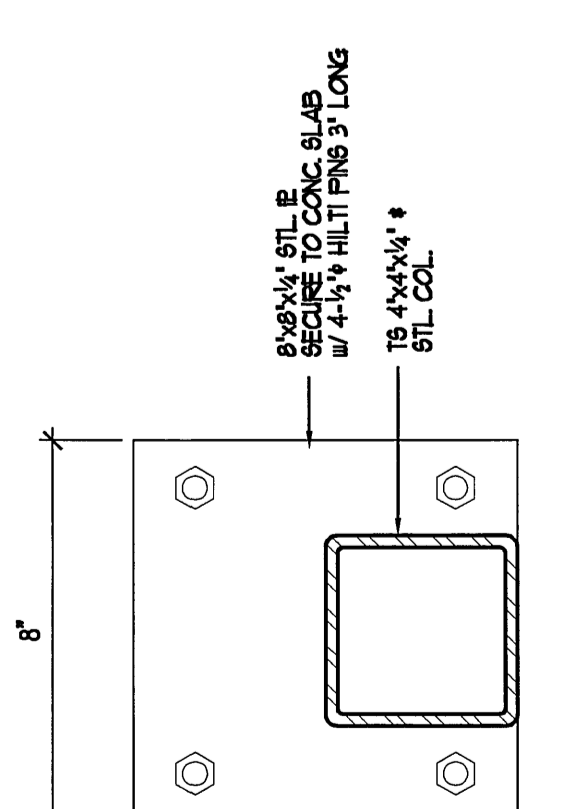
PLAN ROLL-UP GRILL
 SCALE: 1/2"=1'-0"
 NORTH



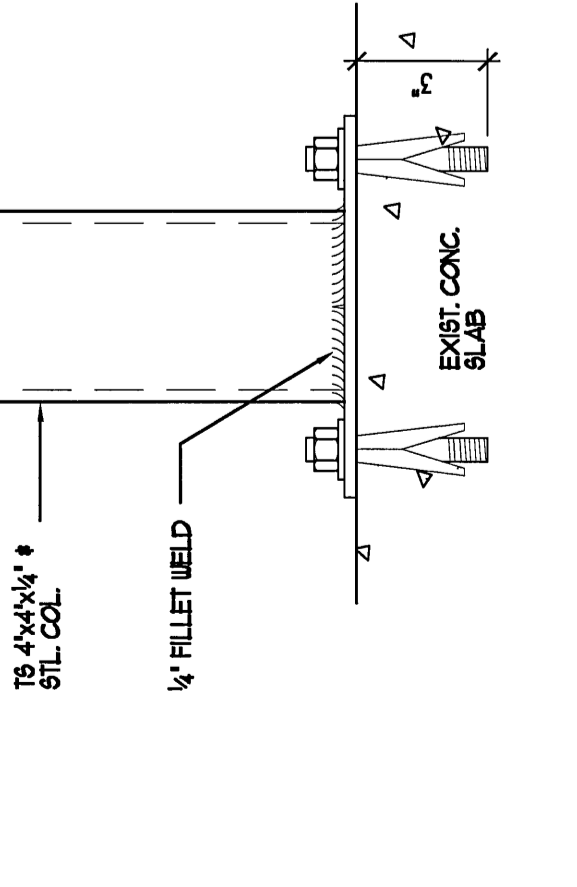
DETAIL
 SCALE: 3/4"=1'-0"
 SECTION A-A



SECTION B-B
 SECTION A-A



PLAN - B
 SECTION C-C
 SECTION A-A



SECTION C-C
 SECTION A-A

DETAILS
 SCALE: 3/4"=1'-0"