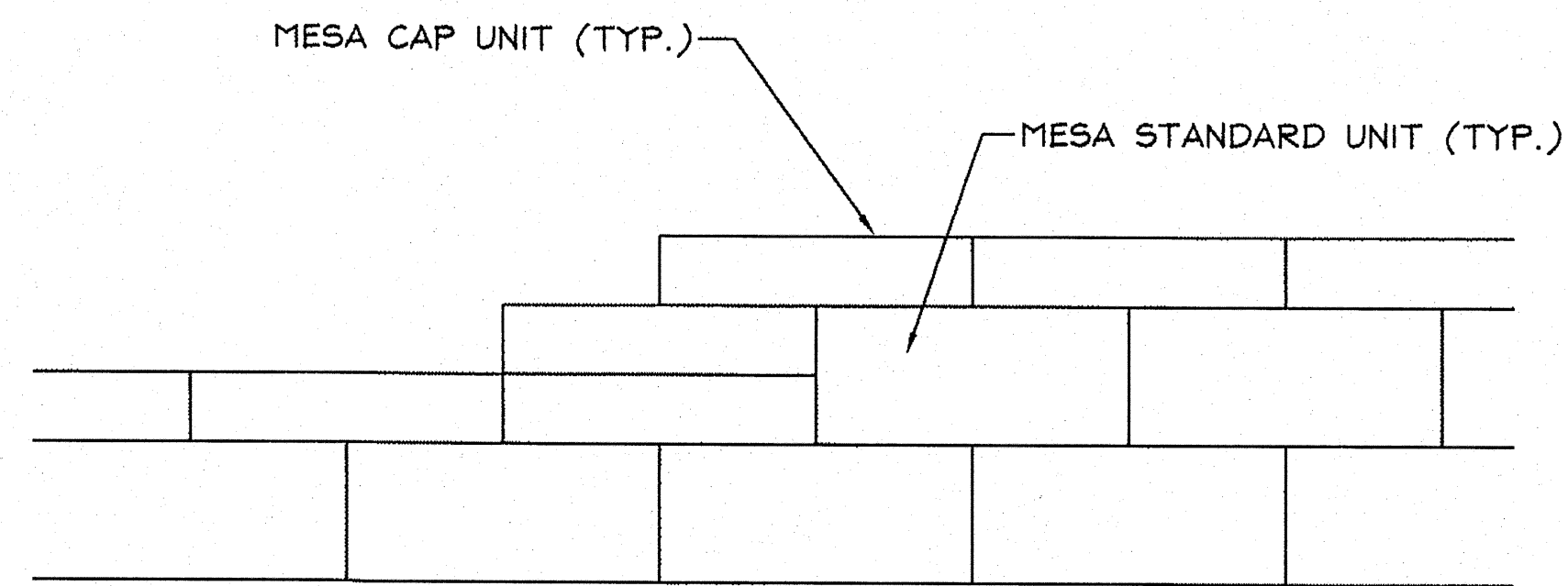


FRONT FACE OF WALL

TRIM GEOGRID SO AS NOT TO BE VISIBLE AT WALL FACE

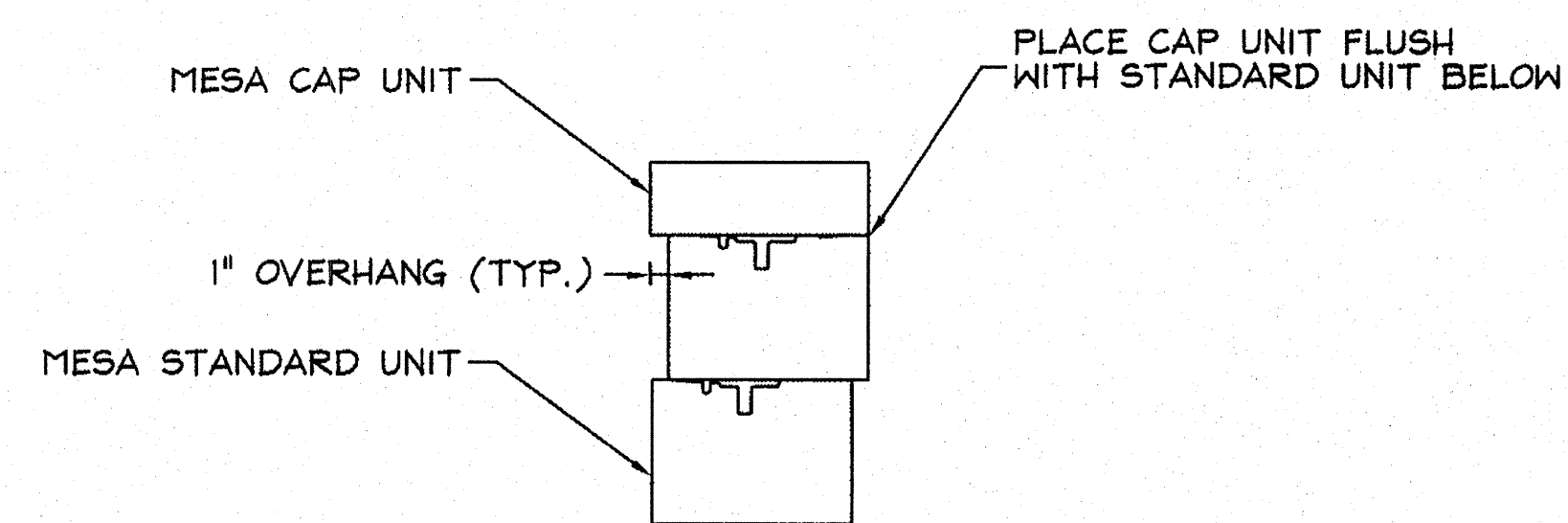
**GEOGRID PLACEMENT ON CURVES / CORNERS**  
NOT TO SCALE



MESA CAP UNIT (TYP.)

MESA STANDARD UNIT (TYP.)

**TOP OF WALL STEP**  
NOT TO SCALE

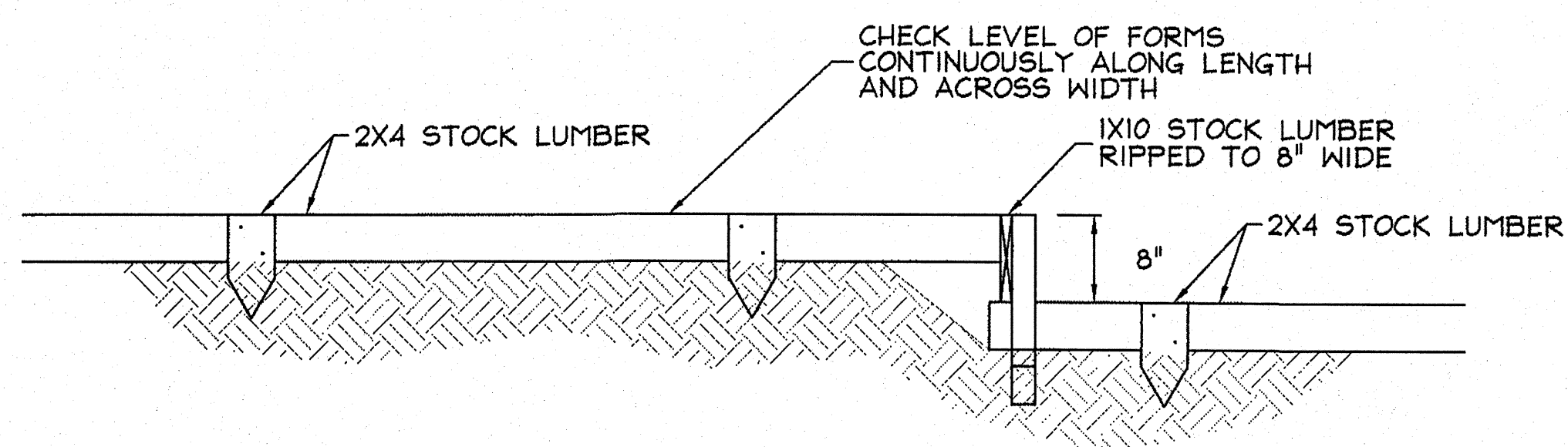


MESA CAP UNIT

1" OVERHANG (TYP.)

MESA STANDARD UNIT

**MESA CAP UNIT INSTALLATION DETAIL**  
NOT TO SCALE



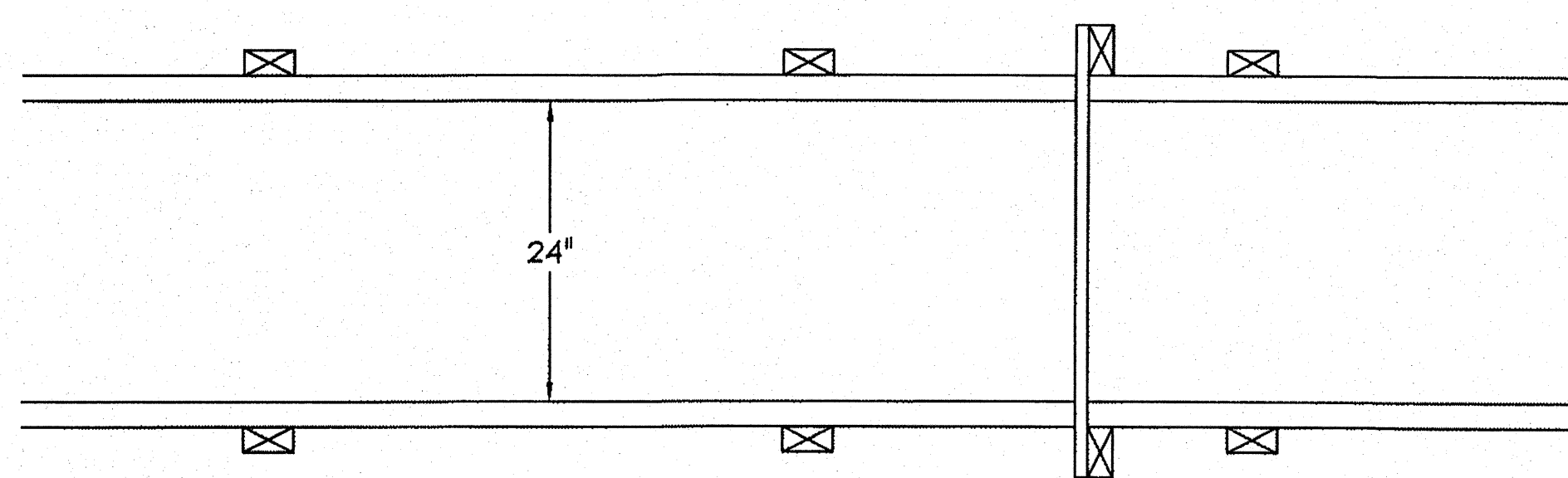
2X4 STOCK LUMBER

CHECK LEVEL OF FORMS CONTINUOUSLY ALONG LENGTH AND ACROSS WIDTH

1X10 STOCK LUMBER RIPPED TO 8" WIDE

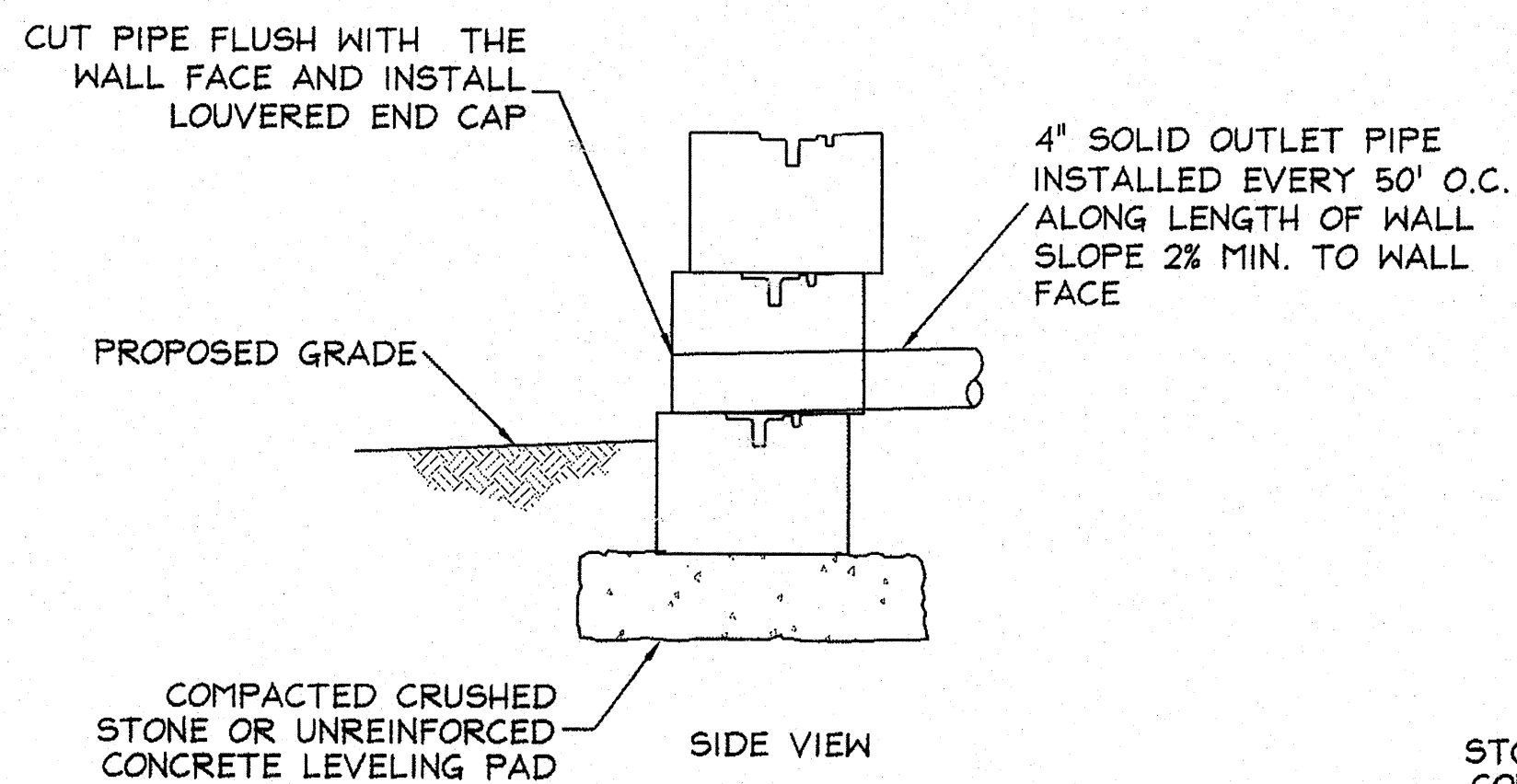
2X4 STOCK LUMBER

**ELEVATION VIEW**



24"

**LEVELING PAD FORM DETAIL**  
NOT TO SCALE



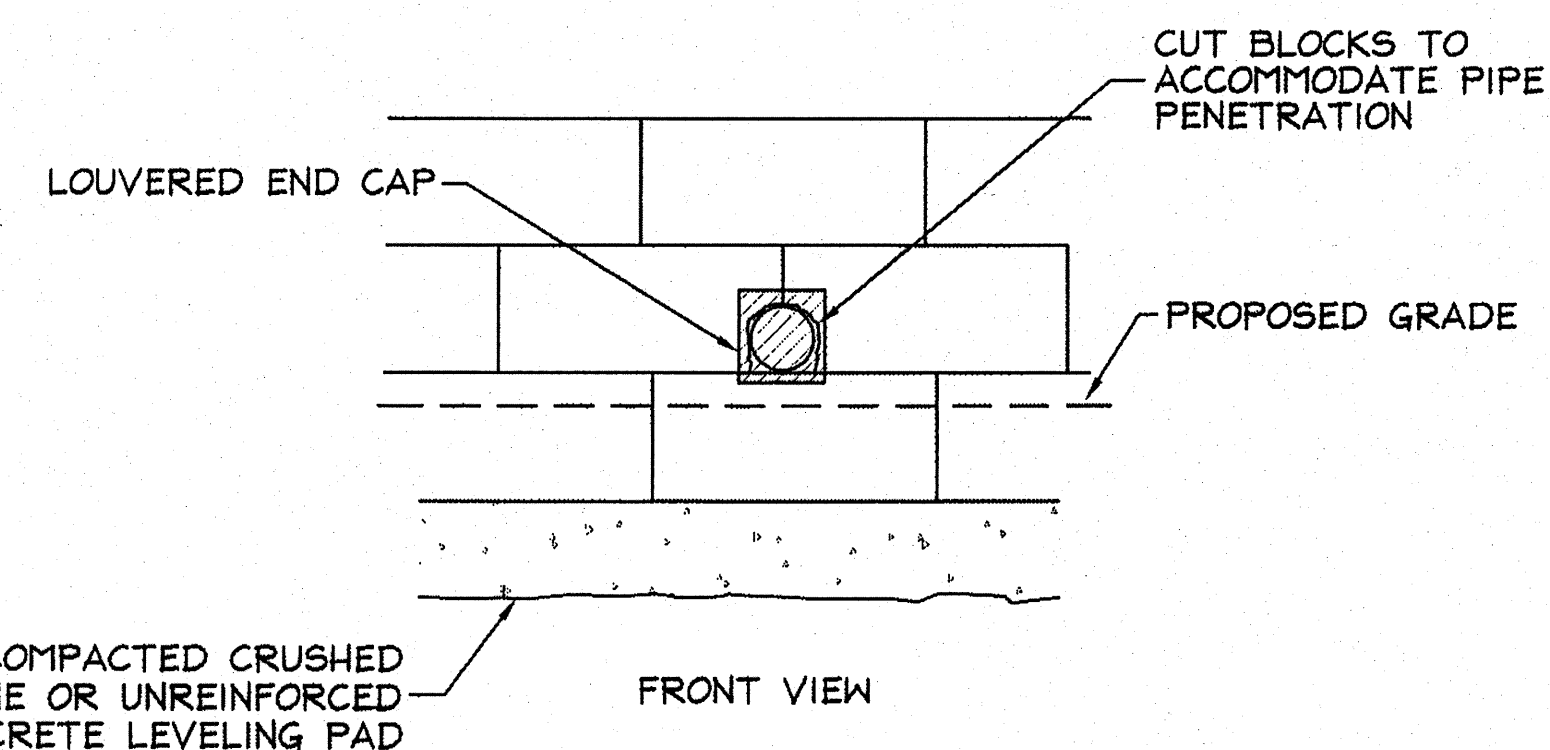
CUT PIPE FLUSH WITH THE WALL FACE AND INSTALL LOUVERED END CAP

PROPOSED GRADE

4" SOLID OUTLET PIPE INSTALLED EVERY 50' O.C. ALONG LENGTH OF WALL SLOPE 2% MIN. TO WALL FACE

COMPACTED CRUSHED STONE OR UNREINFORCED CONCRETE LEVELING PAD

**SIDE VIEW**



LOUVERED END CAP

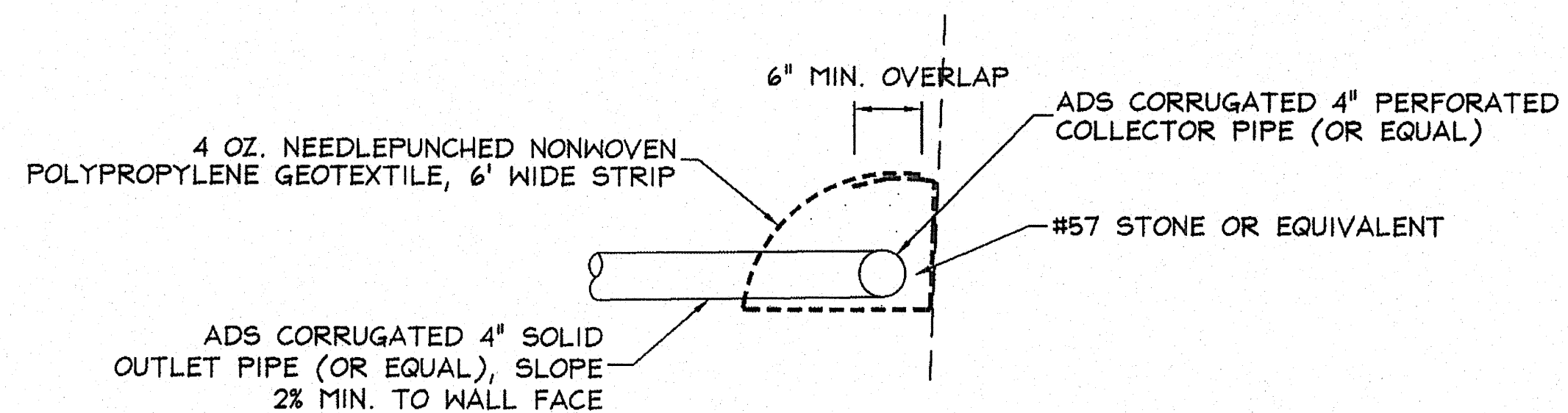
CUT BLOCKS TO ACCOMMODATE PIPE PENETRATION

PROPOSED GRADE

COMPACTED CRUSHED STONE OR UNREINFORCED CONCRETE LEVELING PAD

**FRONT VIEW**

**COLLECTOR AND OUTLET PIPE DETAIL**  
NOT TO SCALE



6" MIN. OVERLAP

4 OZ. NEEDLEPUNCHED NONWOVEN POLYPROPYLENE GEOTEXTILE, 6' WIDE STRIP

ADS CORRUGATED 4" PERFORATED COLLECTOR PIPE (OR EQUAL)

#57 STONE OR EQUIVALENT

ADS CORRUGATED 4" SOLID OUTLET PIPE (OR EQUAL), SLOPE 2% MIN. TO WALL FACE

**COLLECTOR DRAIN**  
NOT TO SCALE

**Vertex**  
Design Group

5995D Parkway North Blvd. Cumming, GA 30040  
Phone: 678-679-1207 Fax: 678-807-2987  
www.vertexdg.com

REVISION/ISSUE	
NO.	ISSUED FOR REVIEW
0	11/17/10

Athens Medical Complex

Georgia

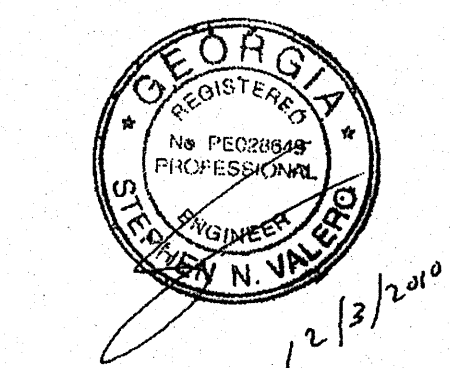
Athens

Typical Details (Cont.)

DESIGNED FOR:

**Pinnacle Design/Build**

5995 Parkway North Boulevard, Cumming, Georgia 30040  
770/205-4888 - 770/205-4958 (fax)  
www.pinnaclebuild.com



Project Number  
2010162

DWG Name - Date Drawn  
2010162DT.DWG 11/17/10

Designed By  
WTF

Drawn By  
OEM

Project Manager  
JEH

Checked By  
SNV

Scale  
No Scale

Typical Details (Cont.)

COPYRIGHT 2010, VERTEX DESIGN GROUP, LLC.

RW6.2