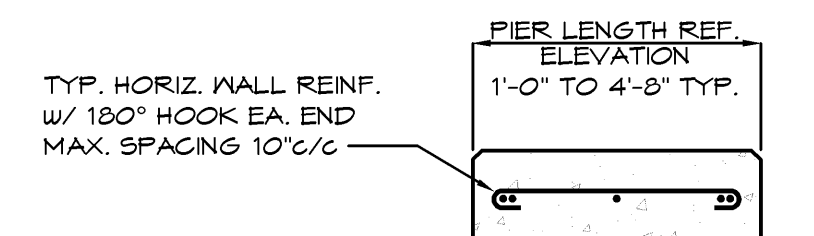
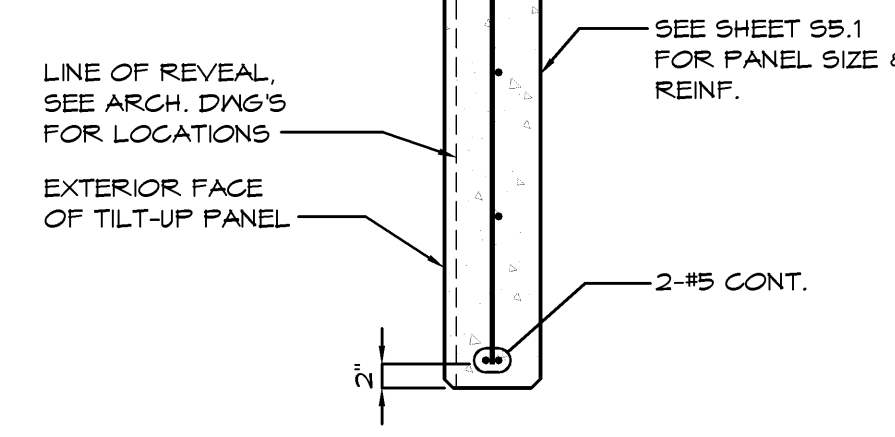
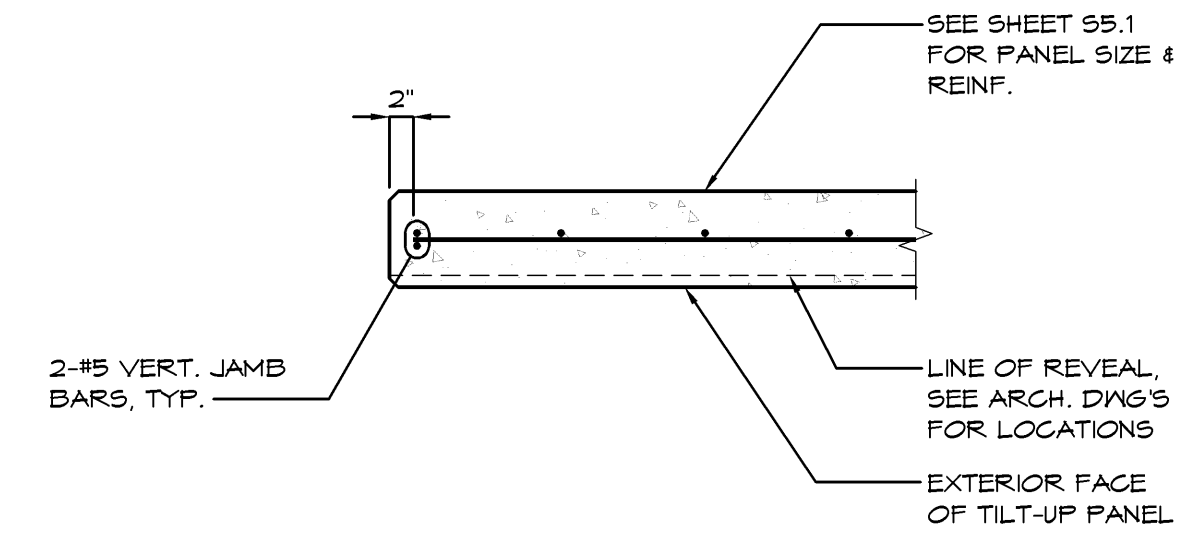
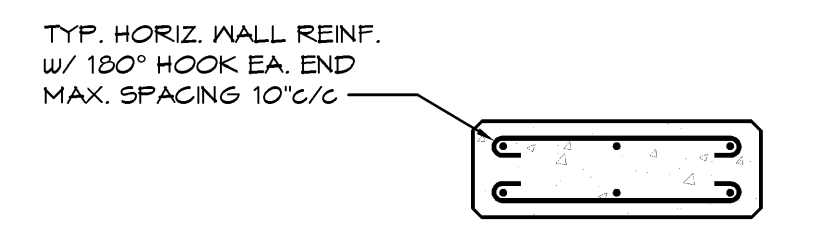


© COPYRIGHT 2007, DAVIS, STOKES COLLABORATIVE, P.C. ALL RIGHTS RESERVED.

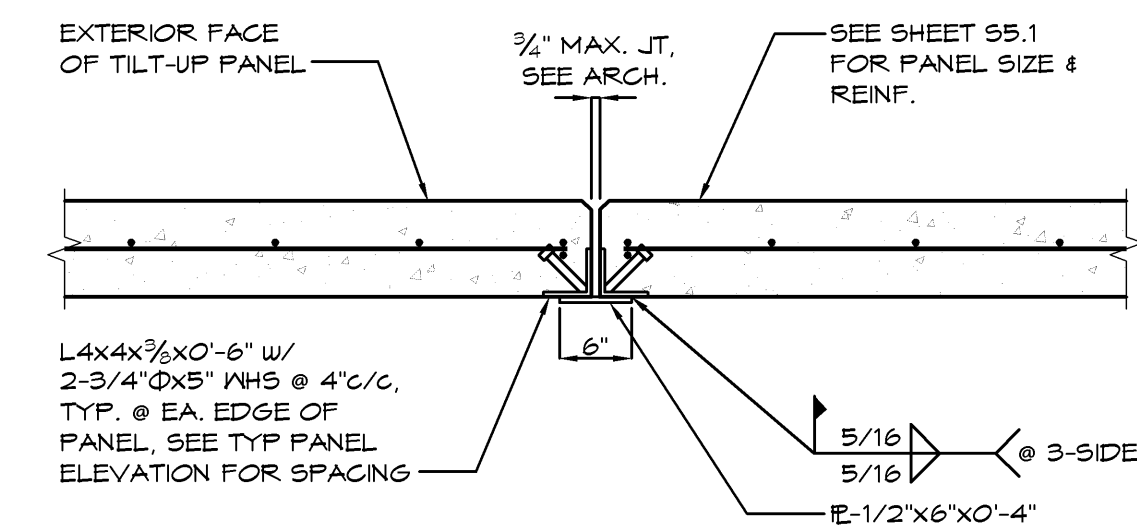


SINGLE LAYER

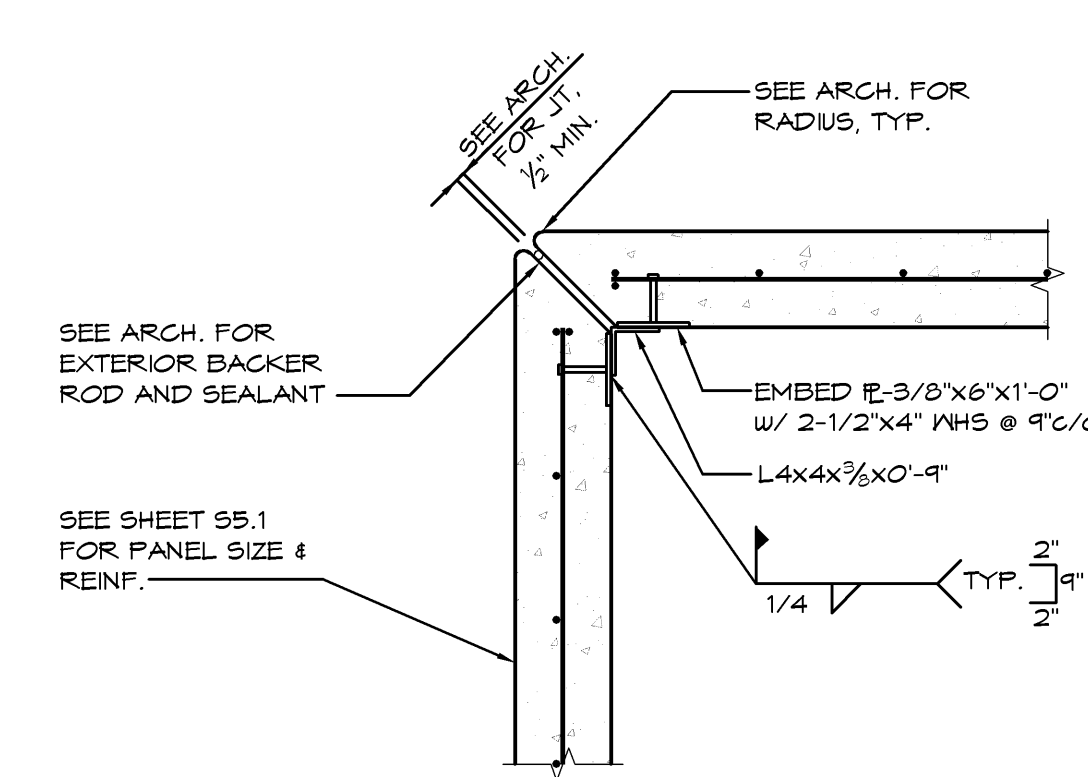


DOUBLE LAYER

NOTE:
WHERE PIER LENGTH IS GREATER THAN 4'-8", HORIZ. REINF. NEED NOT BE HOOKED, U.N.O.



NOTE:
SEE TYPICAL TILT-UP PANEL ON S5.1 FOR LOCATIONS WHERE OCCURS



NOTE:
SEE TYPICAL TILT-UP PANEL ON S5.1 FOR LOCATIONS WHERE OCCURS

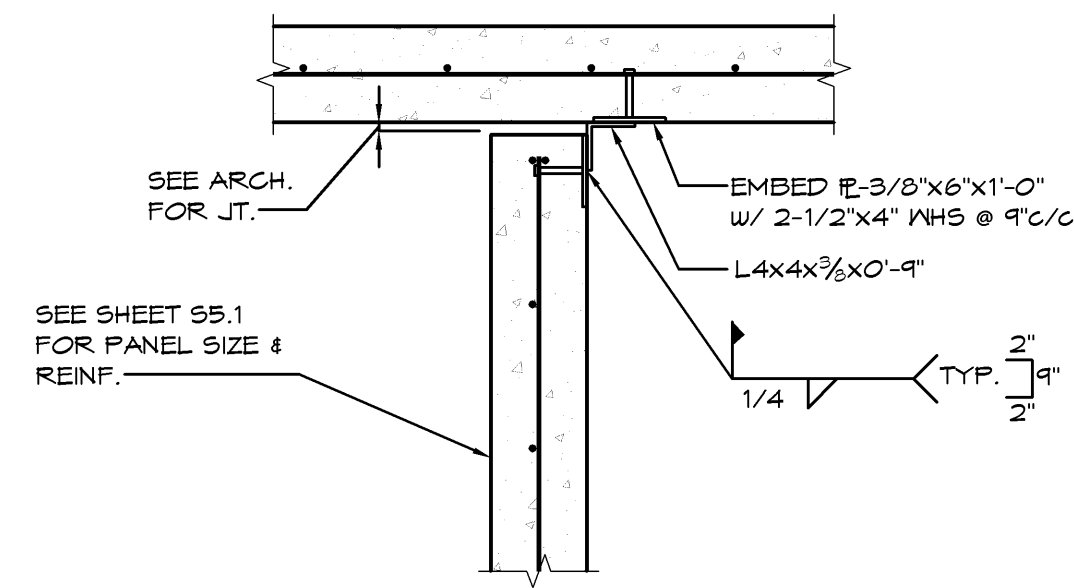
1 TYP. JAMB DETAIL

2 TYP. HEADER/SILL DETAIL

3 TYP. WALL PIER REINF.

4 TYP. TILT-UP PANEL TO PANEL CONNECTION

5 TYP. TILT-UP PANEL CORNER CONNECTION



NOTE:
SEE TYPICAL TILT-UP PANEL ON S5.1 FOR LOCATIONS WHERE OCCURS

6 TYP. TILT-UP PANEL TO PANEL CONNECTION @ INTERSECTION



ATHENS MEDICAL PLAZA I
2142 WEST BROAD STREET
ATHENS, GEORGIA

THIS DOCUMENT CONTAINS PROPRIETARY TO DAVIS, STOKES COLLABORATIVE, P.C. THIS DOCUMENT AND/OR ITS CONTENTS ARE NOT TO BE REPRODUCED OR DISCLOSED TO OTHERS, EITHER IN WHOLE OR IN PART, WITHOUT THE WRITTEN CONSENT OF DAVIS, STOKES COLLABORATIVE, P.C. © COPYRIGHT 2007. ALL RIGHTS RESERVED.

DAVIS · STOKES
COLLABORATIVE, P. C.
A · R · C · H · I · T · E · C · T · S
 7121 CROSSROADS BLVD. BRENTWOOD, TENNESSEE 37027 TEL: 615-726-0010
 http://www.dsccol.com EMAIL: dsccol@dsccol.com FAX: 615-726-2090

REVISION		
NO.	DATE	DESCRIPTION

TILT-UP PANEL DETAILS
S5.2
 ISSUE DATE: 12.21.10 JOB NUMBER: 08004