

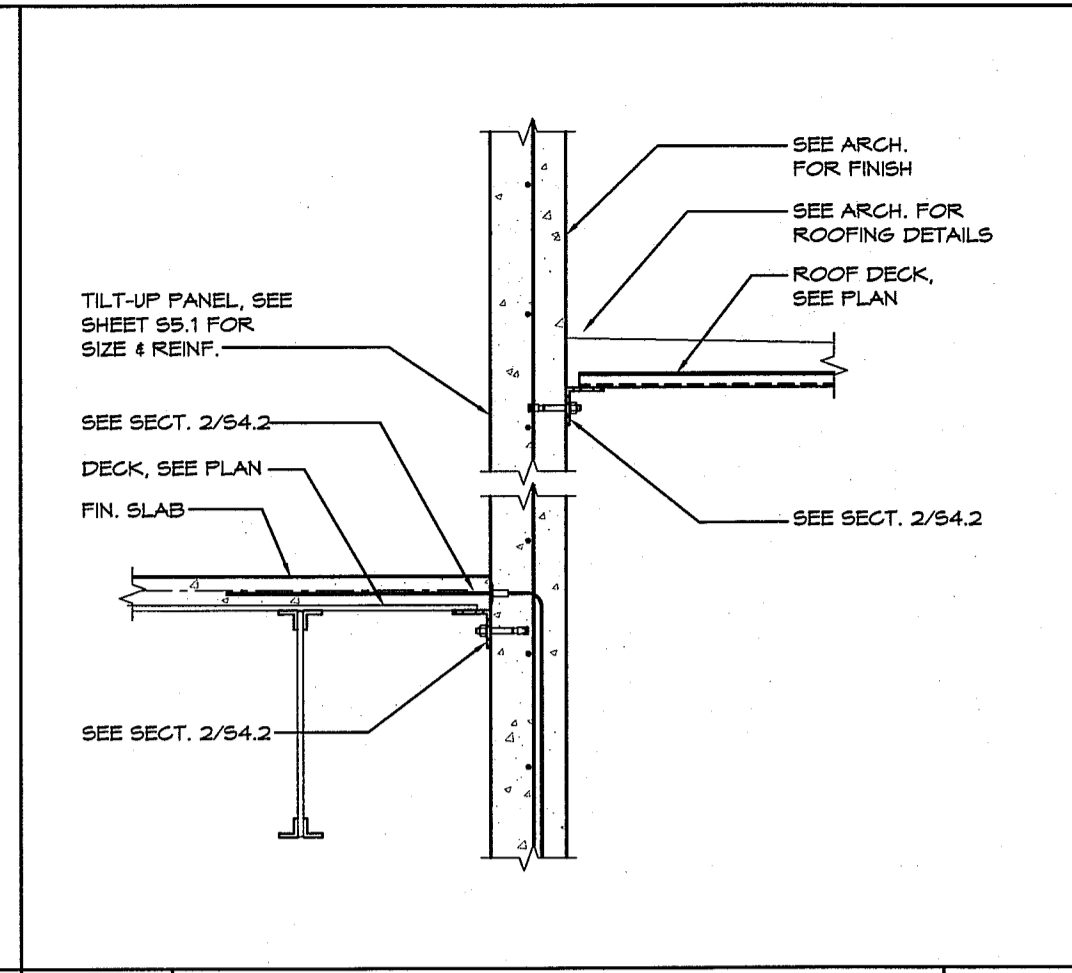
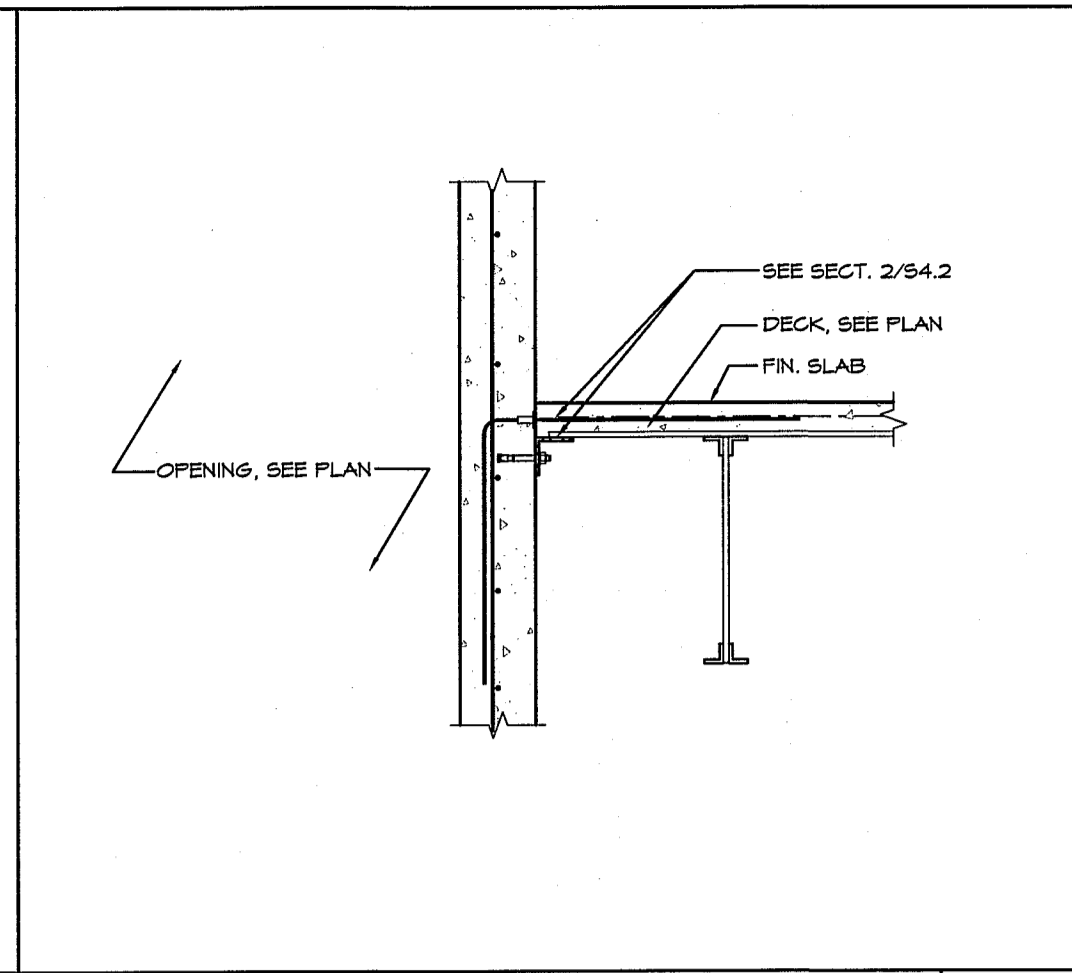
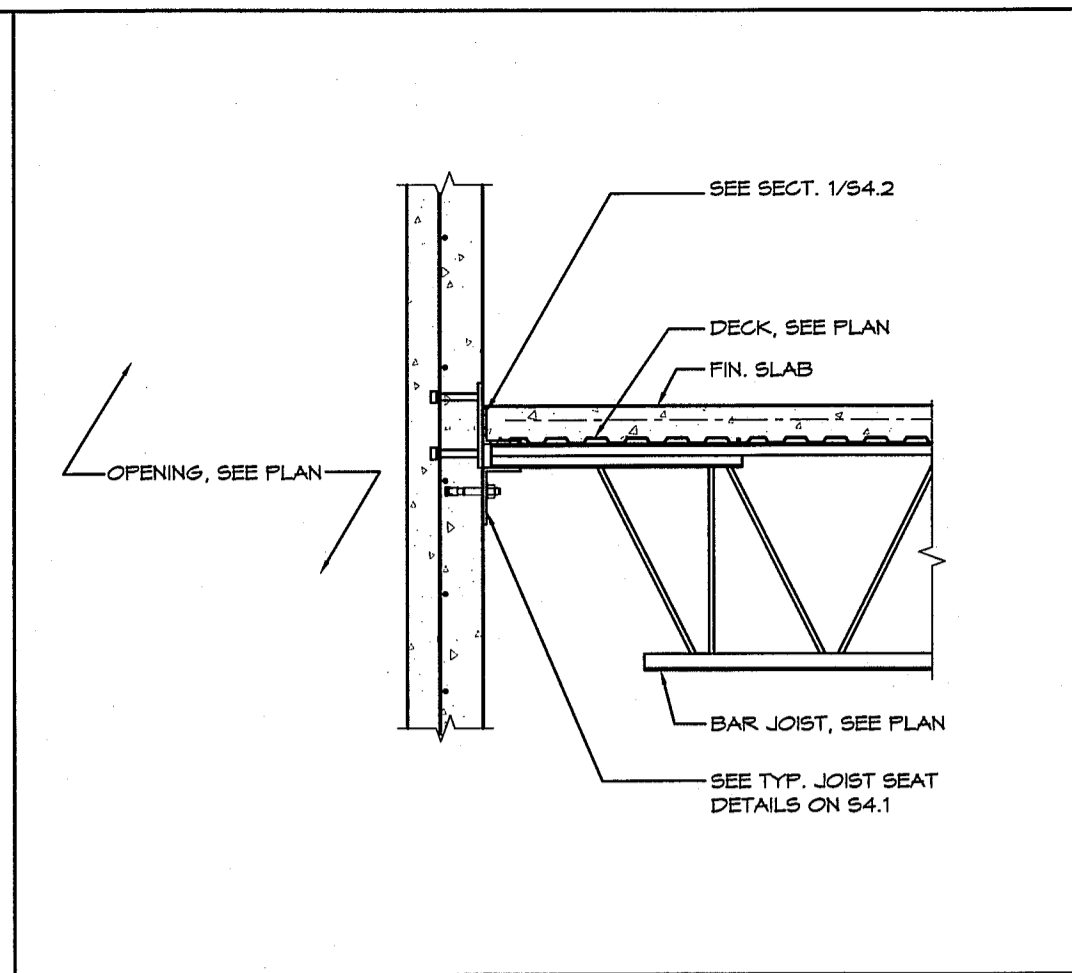
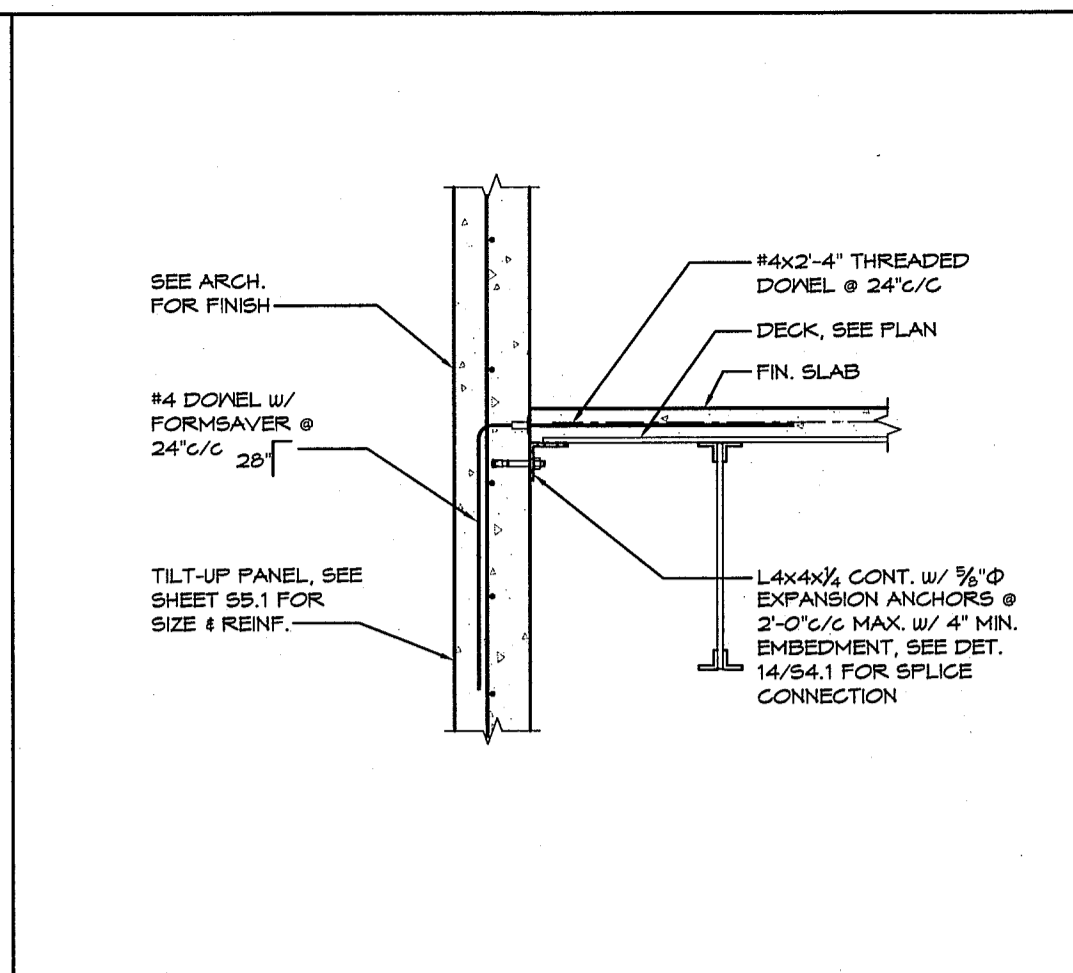
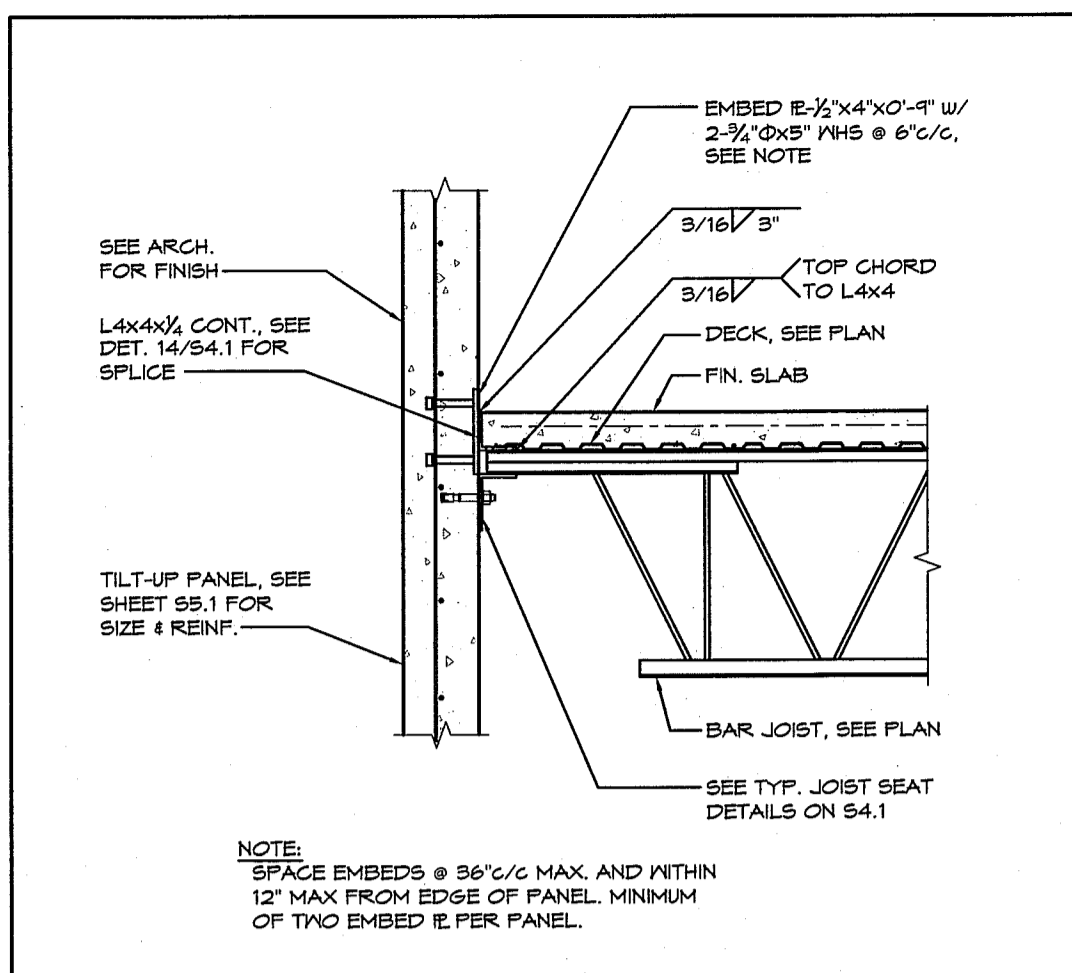
© COPYRIGHT 2007, DAVIS STOKES COLLABORATIVE P.C. ALL RIGHTS RESERVED.



ATHENS MEDICAL PLAZA I
2142 WEST BROAD STREET
ATHENS, GEORGIA

THIS DOCUMENT CONTAINS PROPRIETARY INFORMATION OF DAVIS STOKES COLLABORATIVE P.C. THIS DOCUMENT IS THE PROPERTY OF DAVIS STOKES COLLABORATIVE P.C. AND IS NOT TO BE REPRODUCED OR DISCLOSED TO ANY OTHER PARTY WITHOUT THE WRITTEN CONSENT OF DAVIS STOKES COLLABORATIVE P.C. COPYRIGHT 2007. ALL RIGHTS RESERVED.

DAVIS STOKES COLLABORATIVE, P.C.
A R C H I T E C T S
 7121 CROSSROADS BLVD. BRENTWOOD, TENNESSEE 37027
 TEL: 615-726-0010 FAX: 615-726-2090
 EMAIL: dsccol@dsccol.com
 http://www.dsccol.com



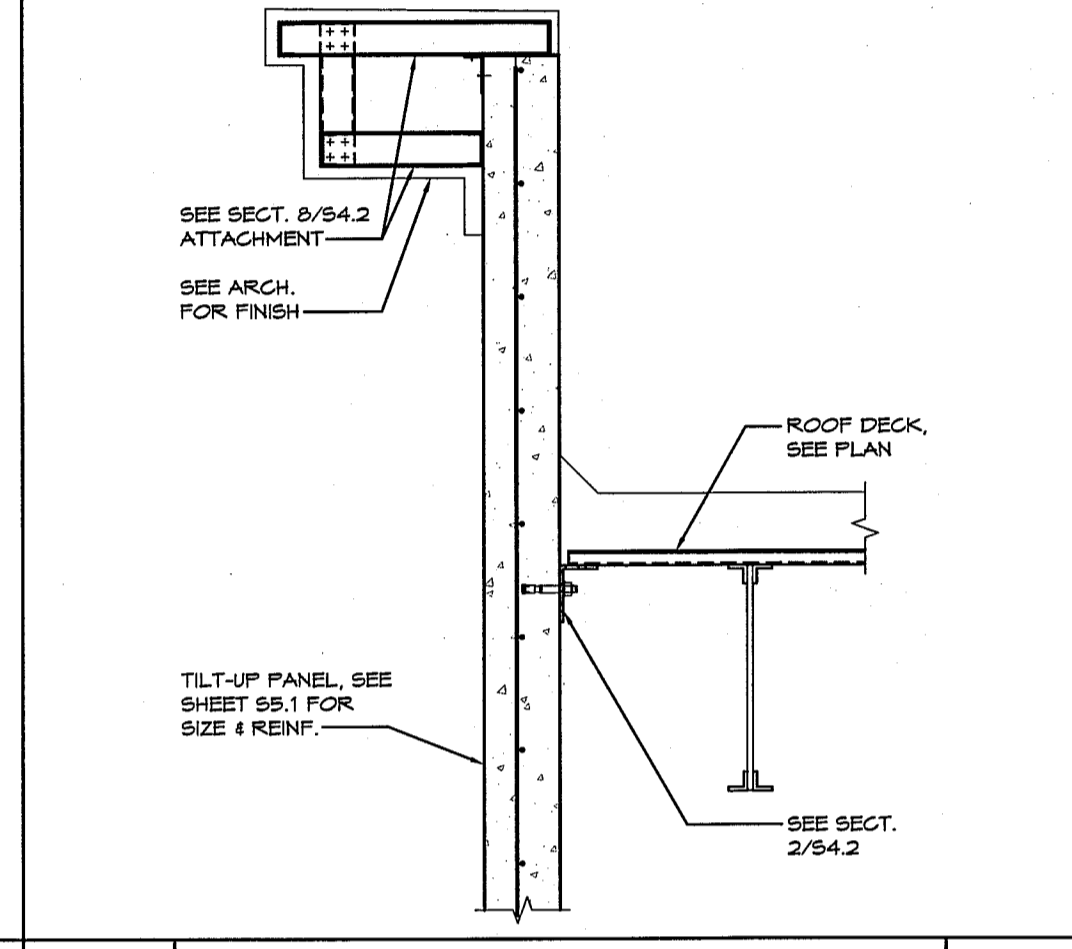
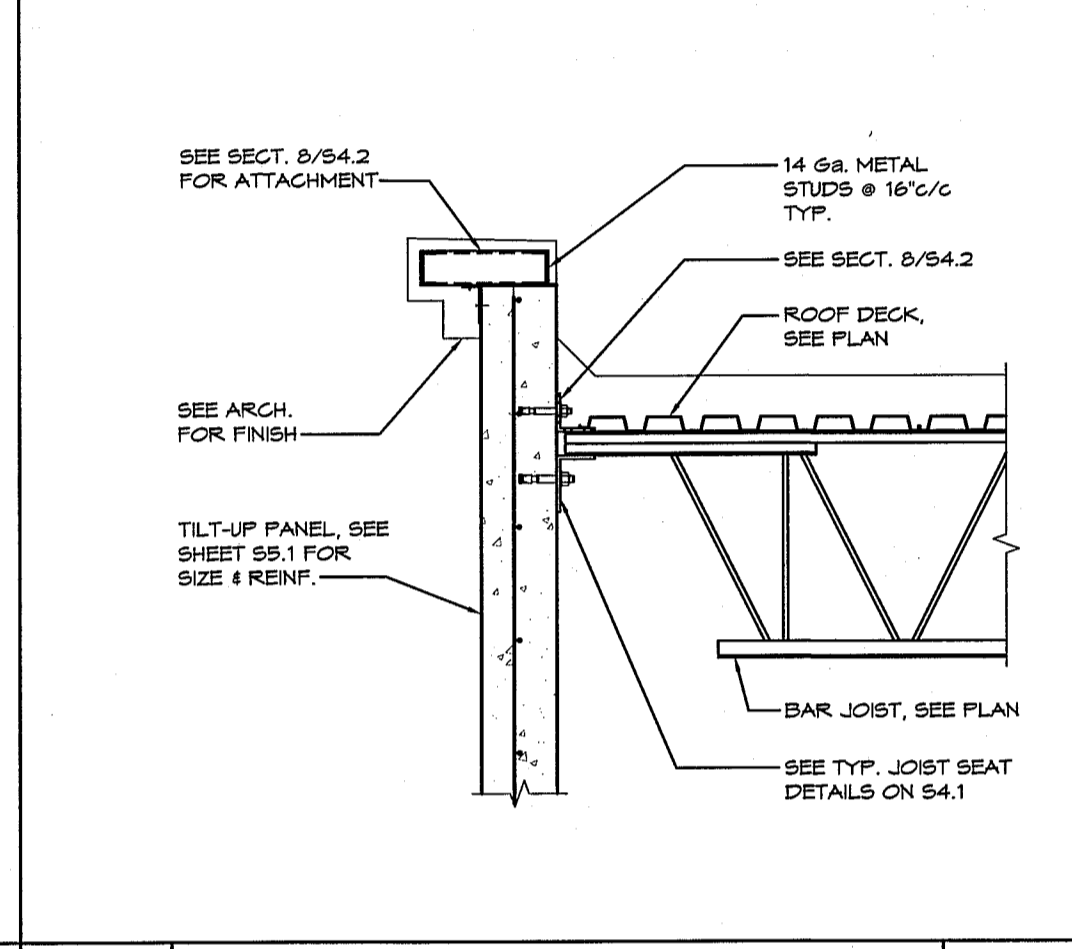
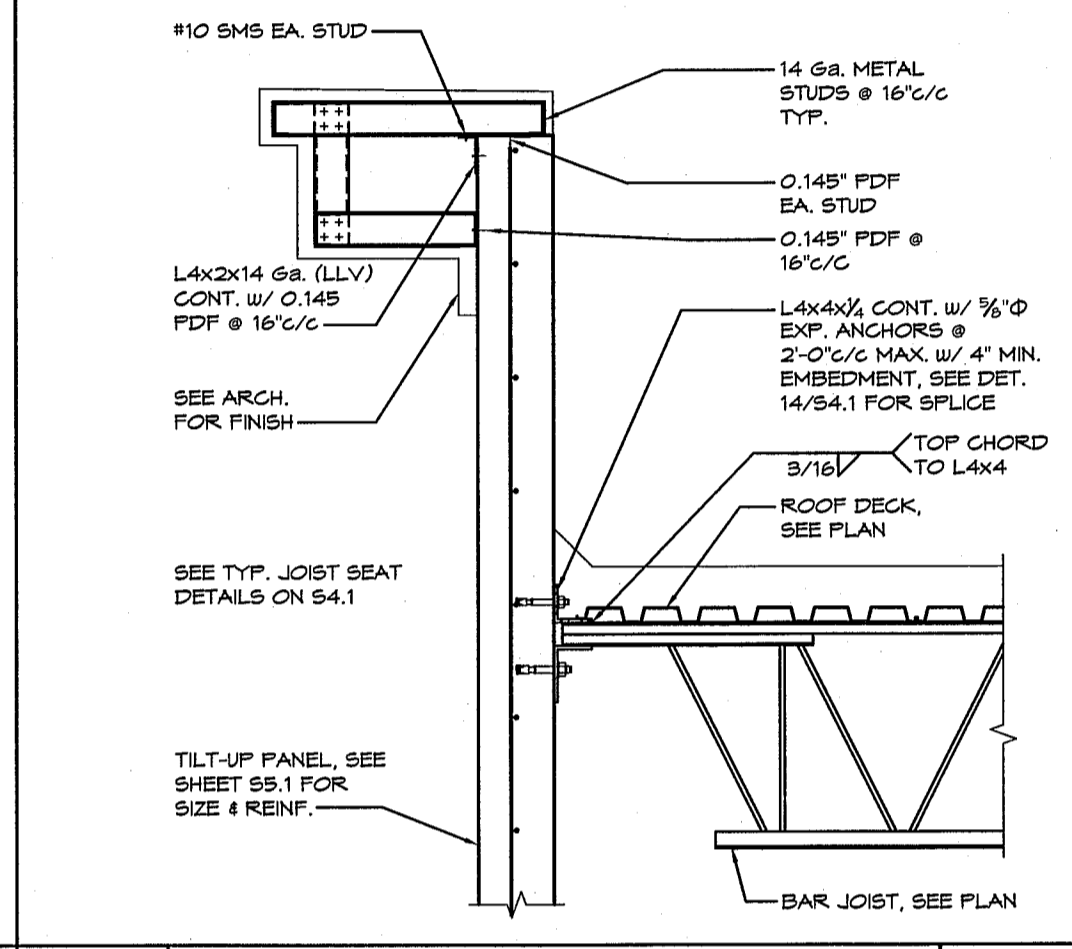
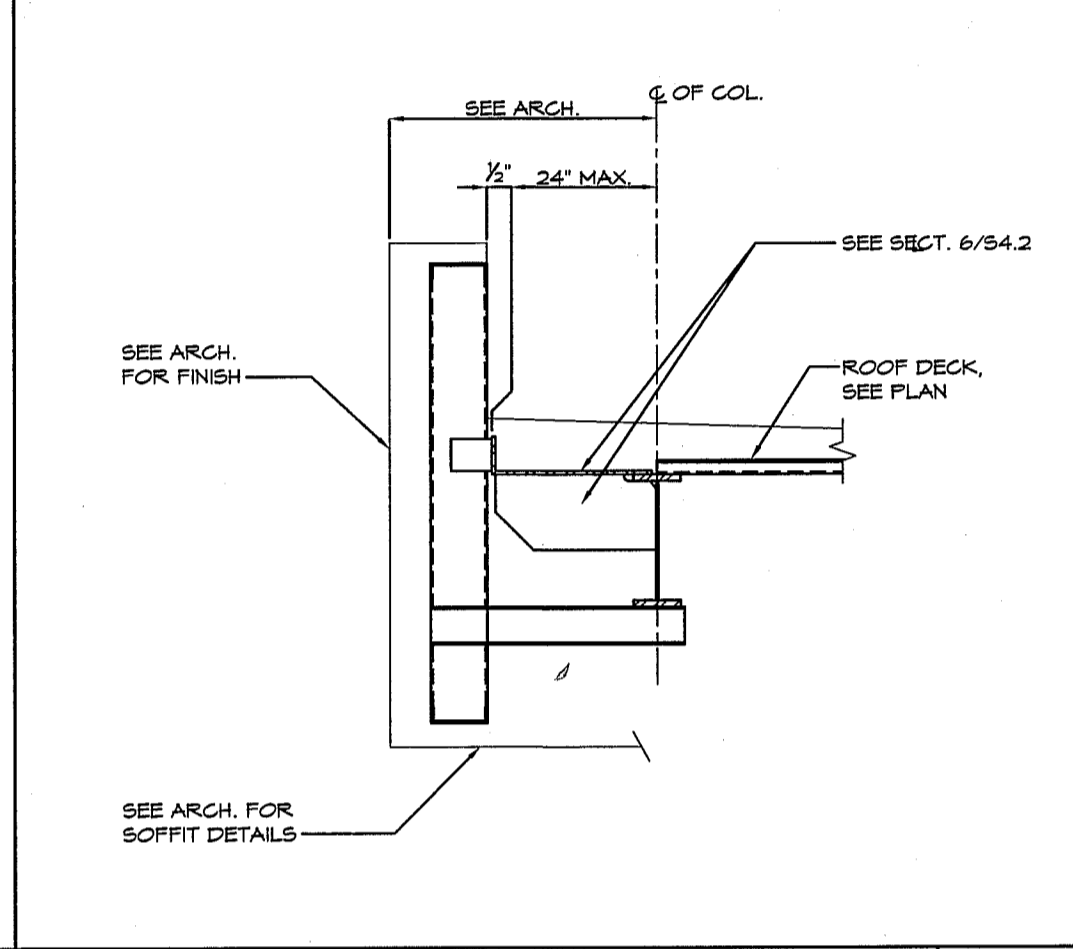
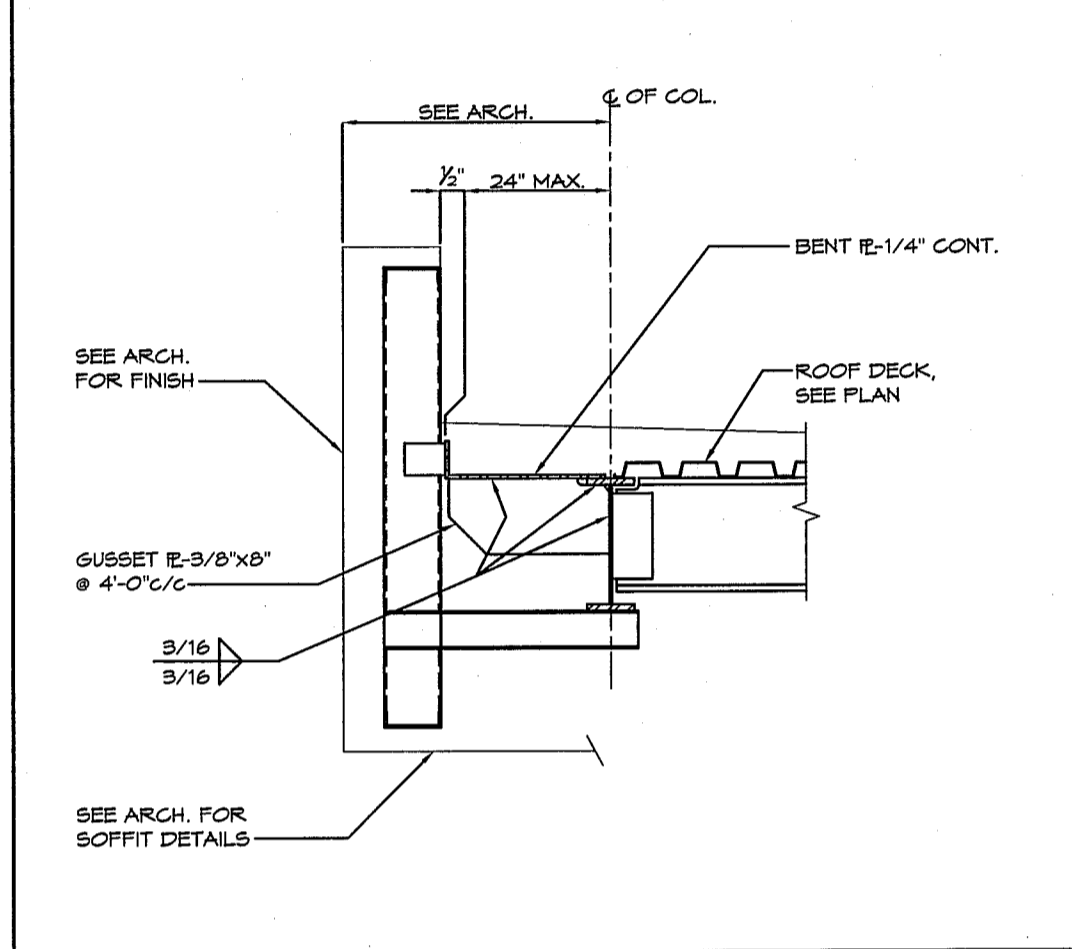
1 SECTION

2 SECTION

3 SECTION

4 SECTION

5 SECTION



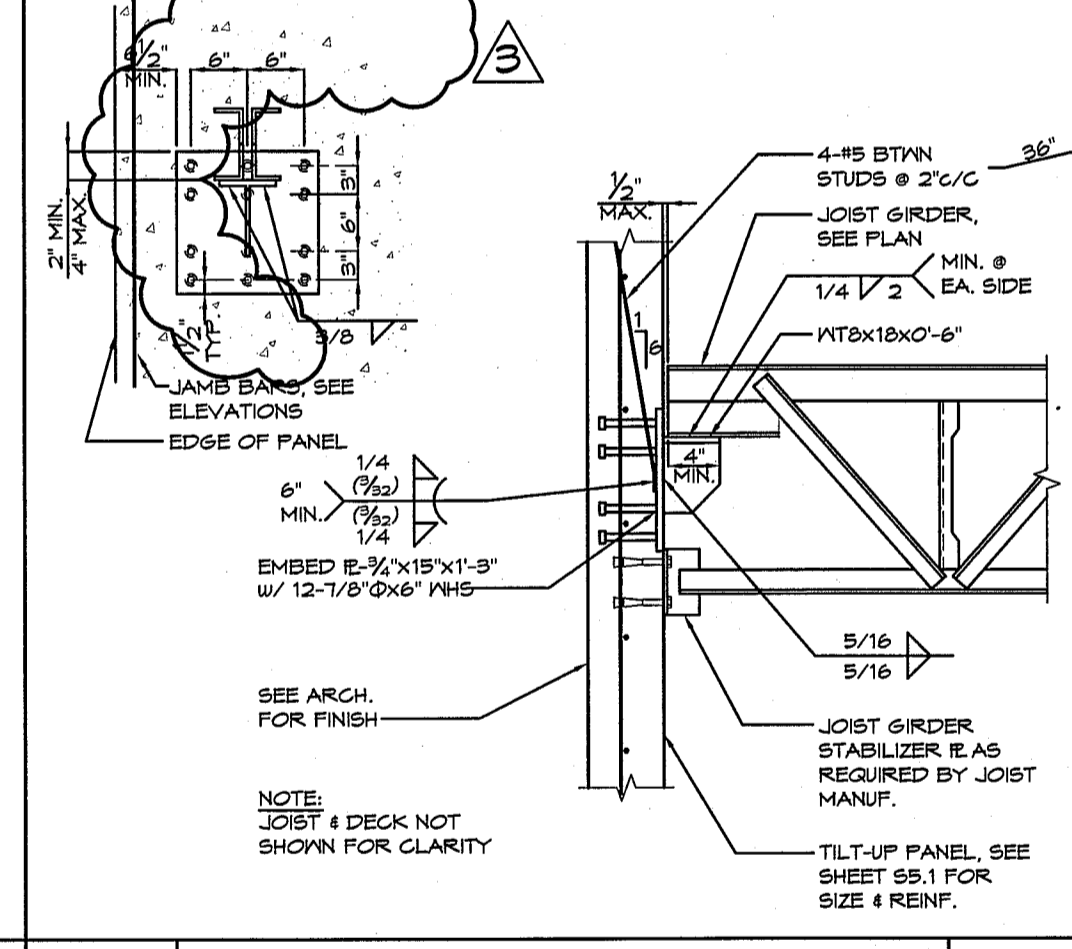
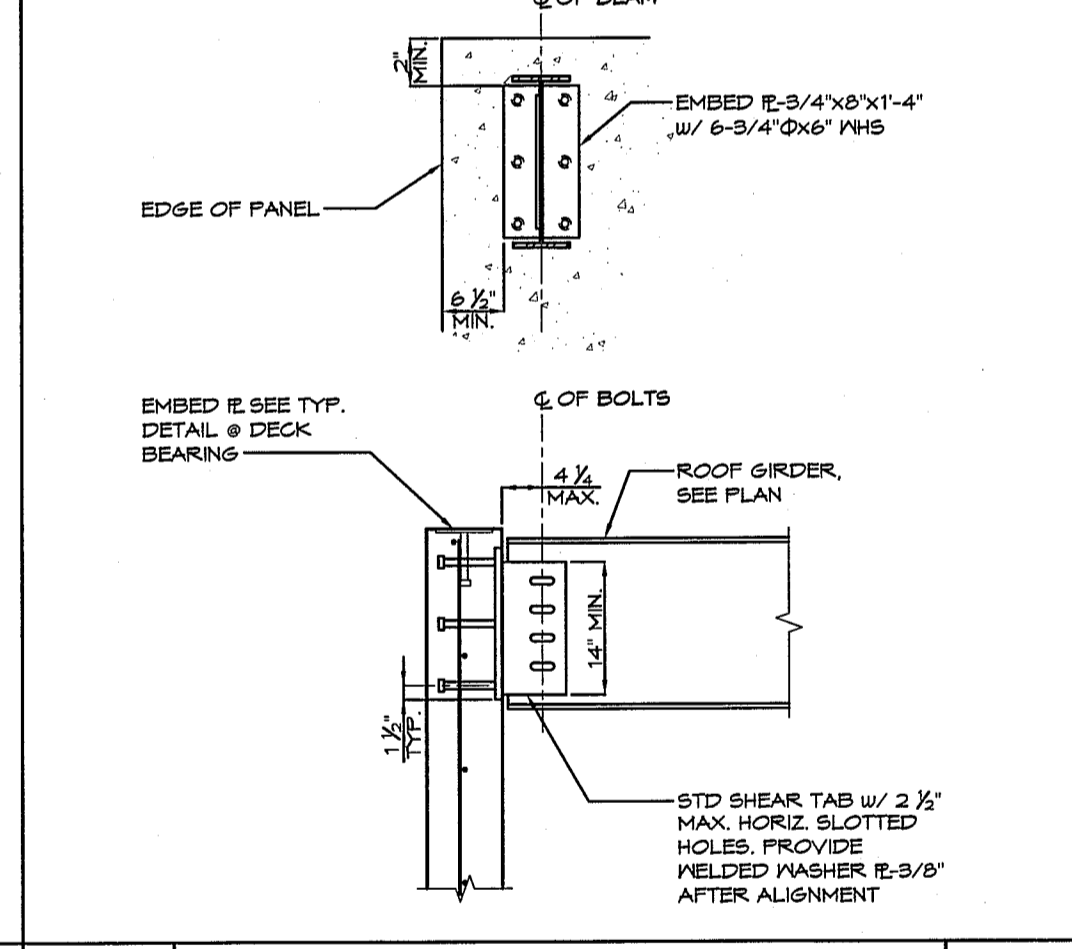
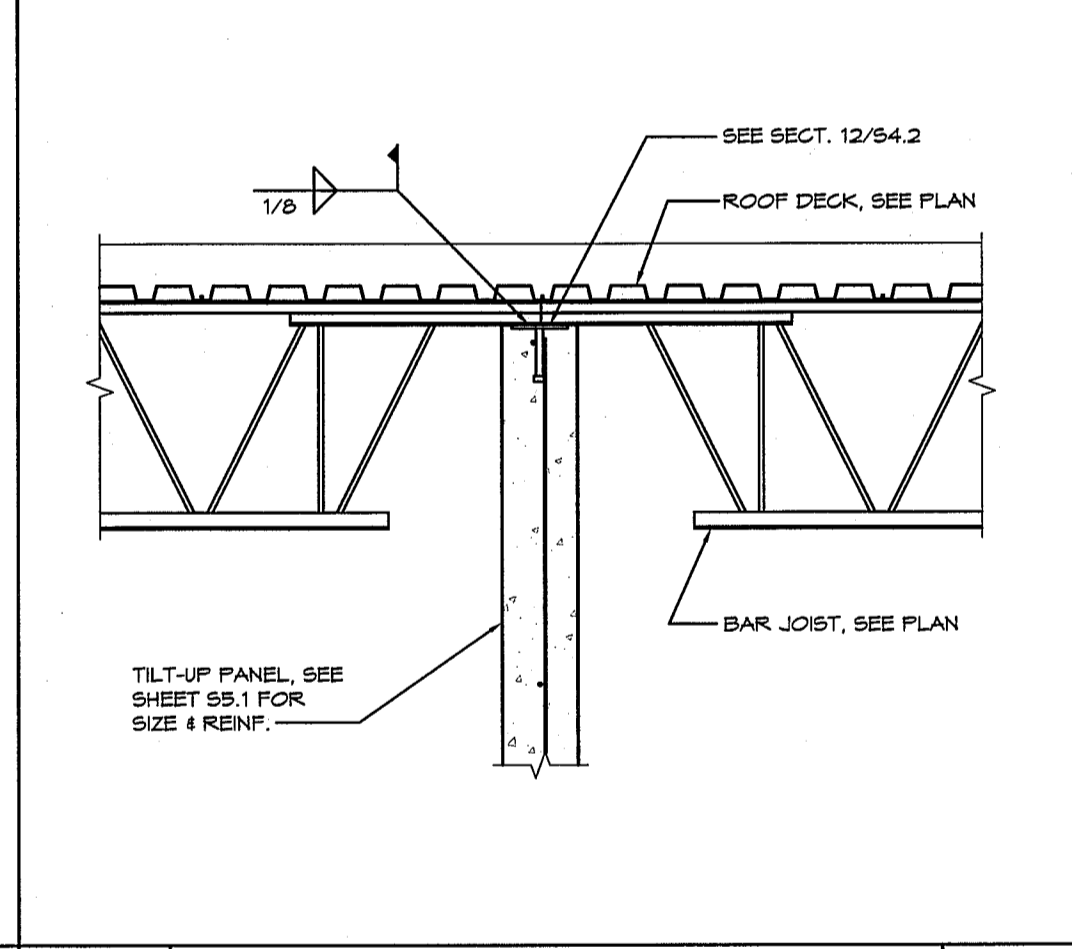
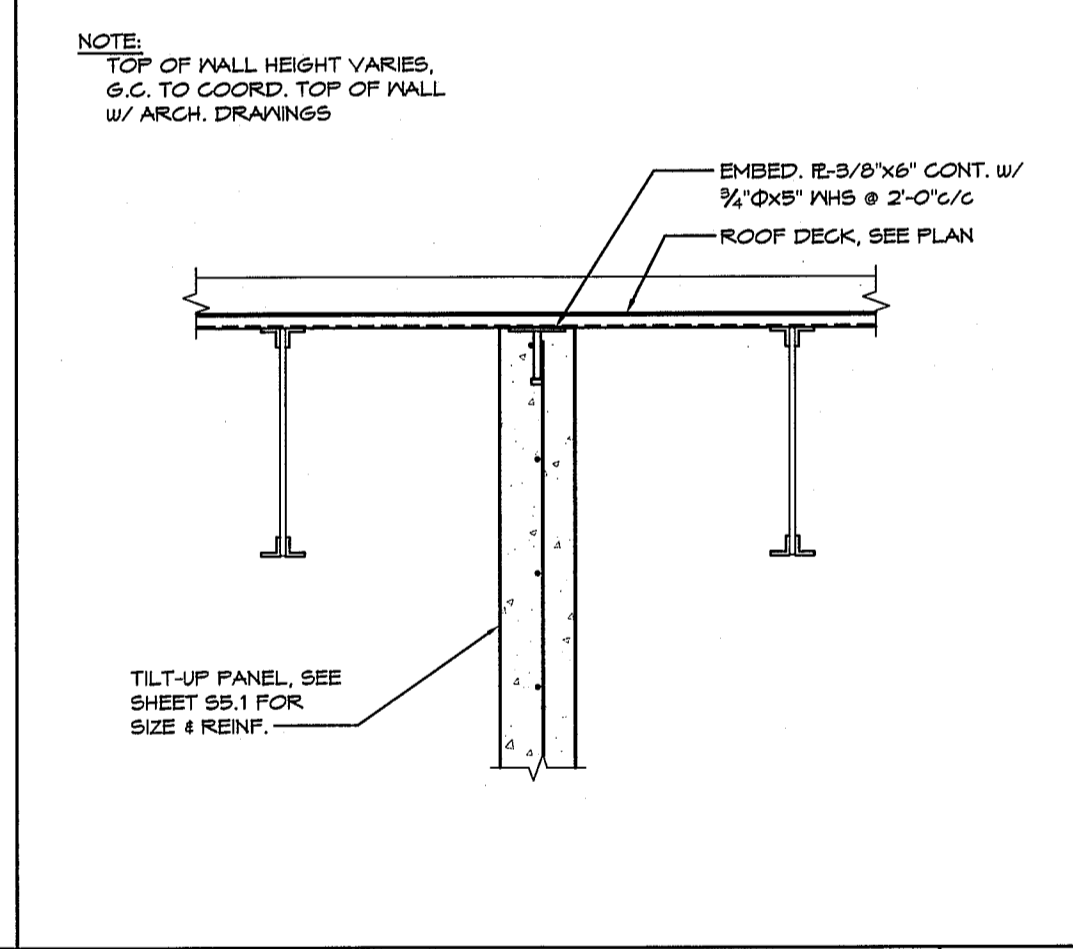
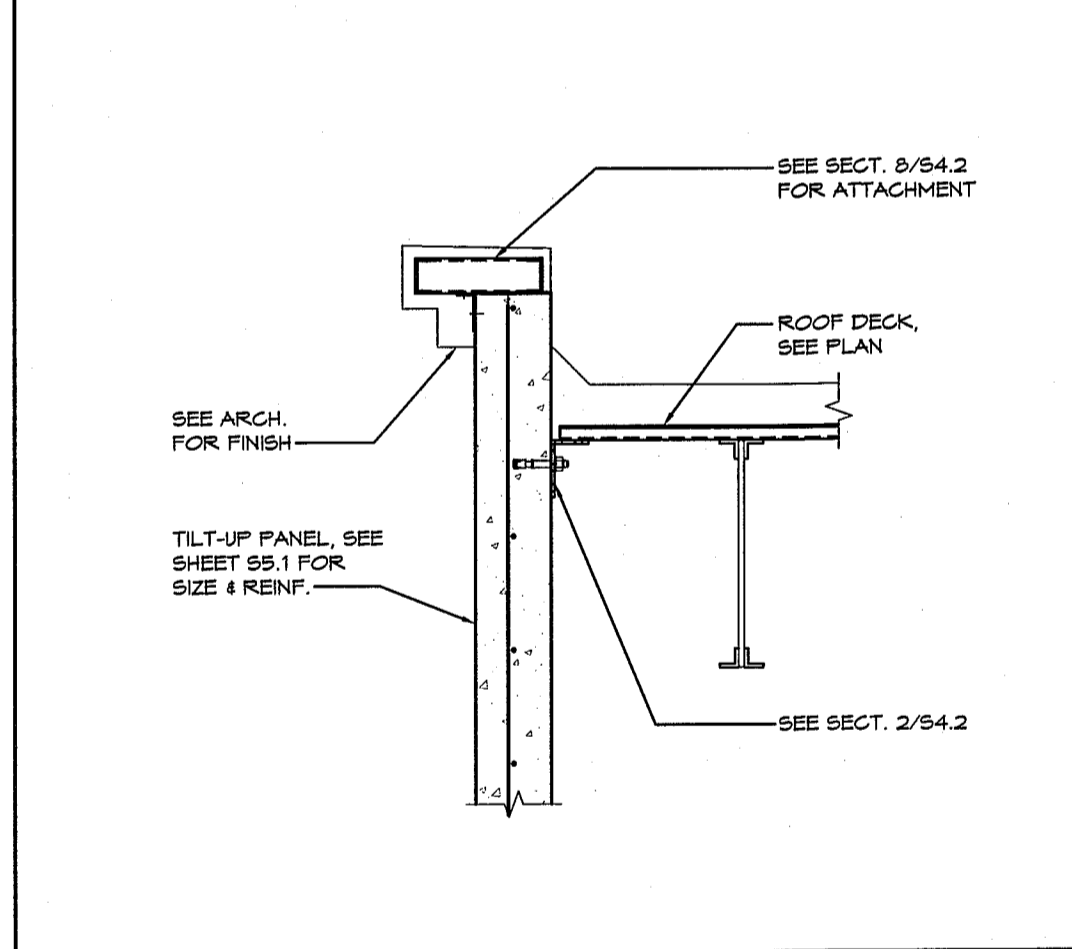
6 SECTION

7 SECTION

8 SECTION

9 SECTION

10 SECTION



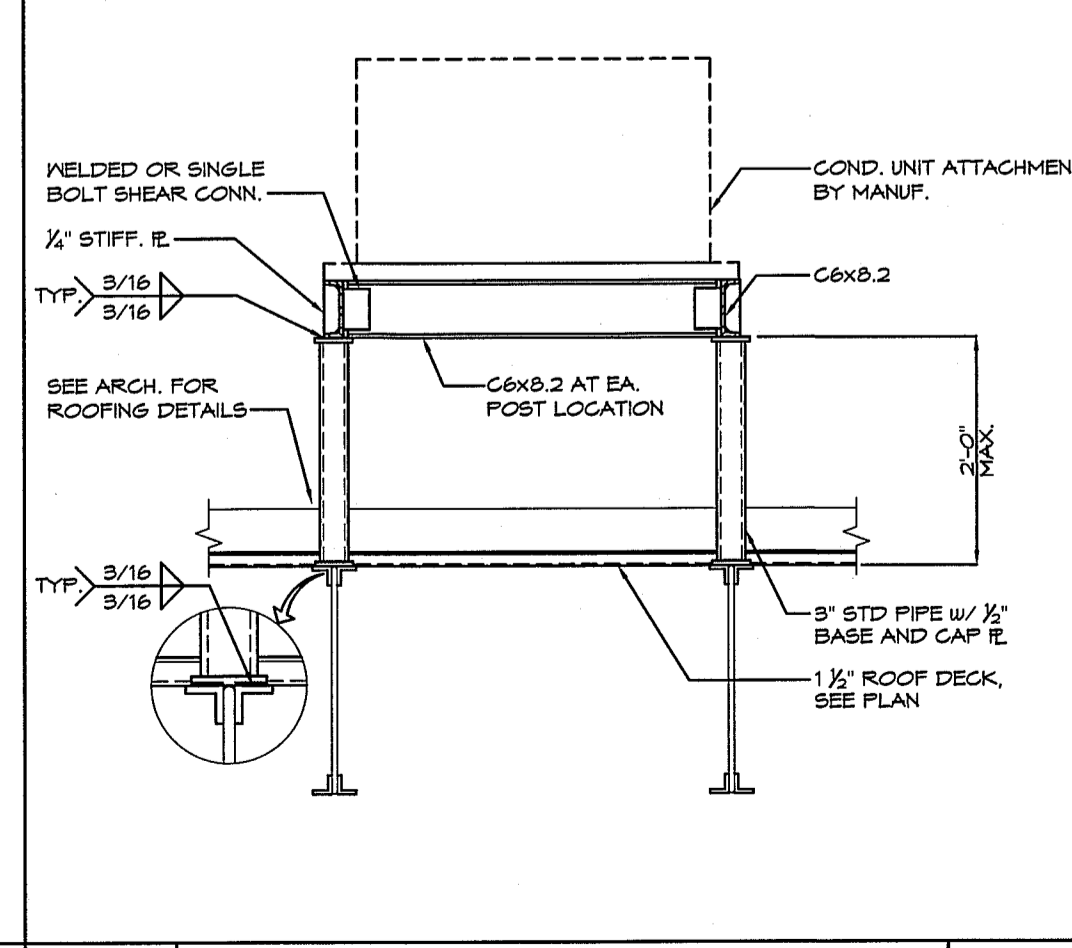
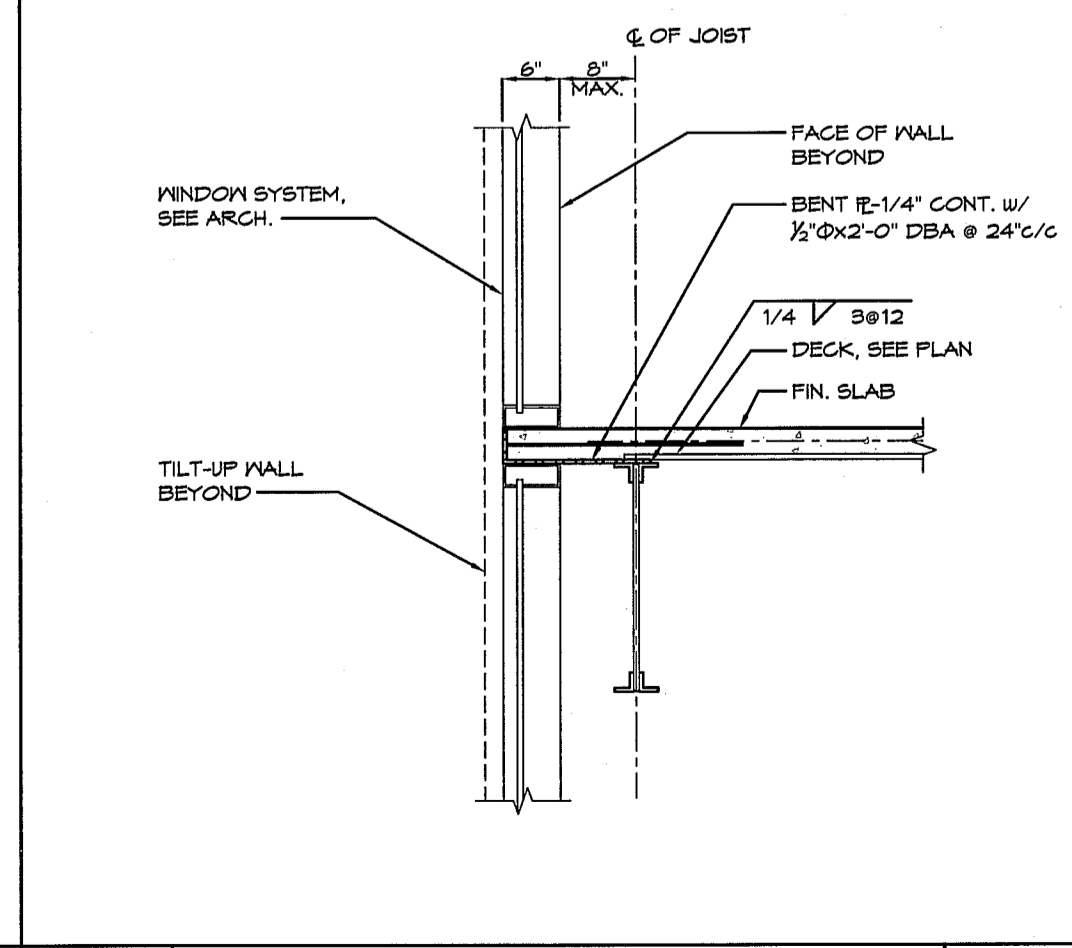
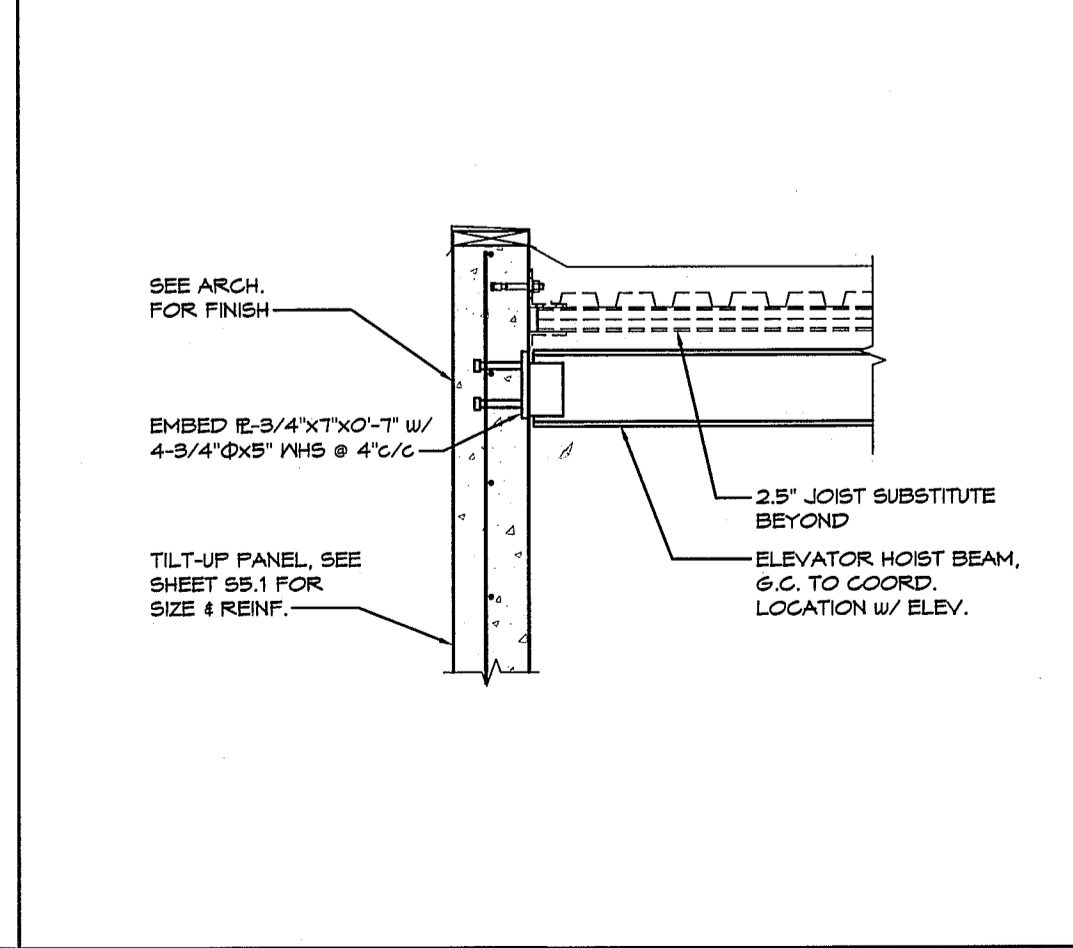
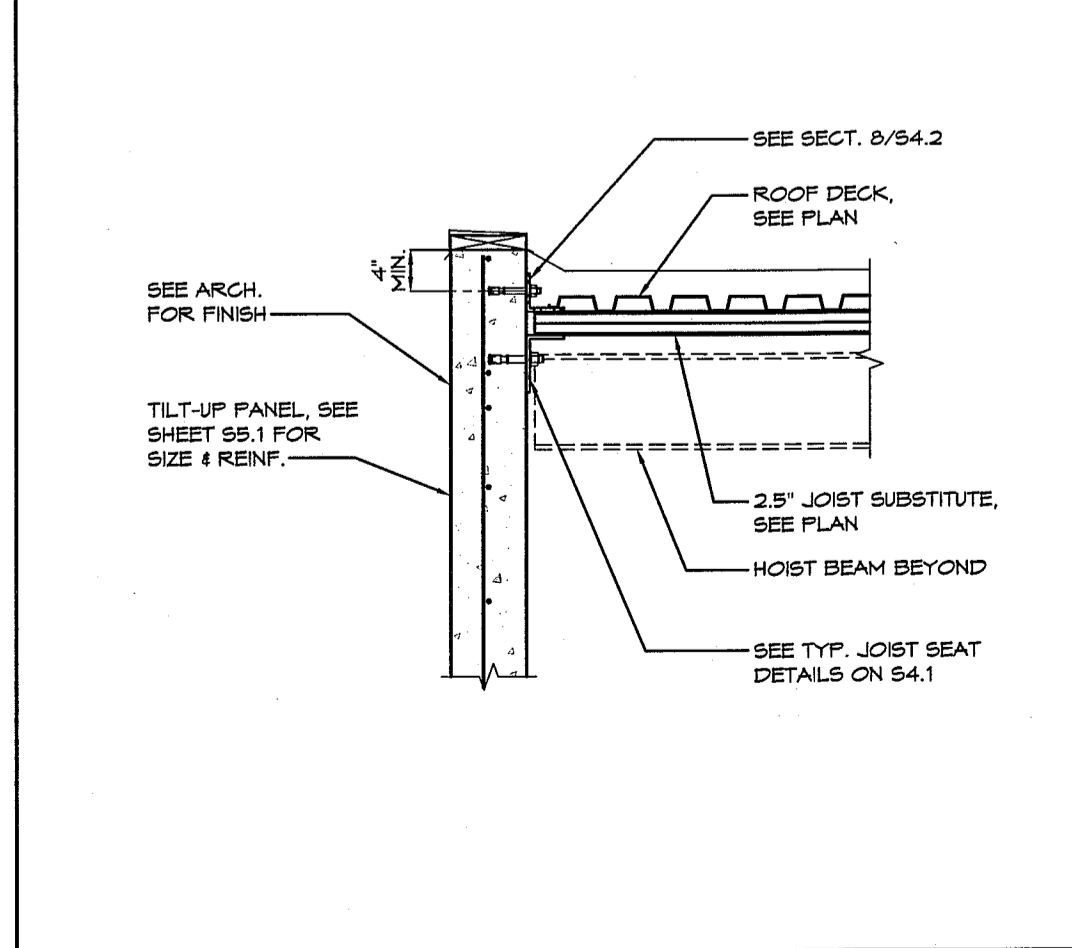
11 SECTION

12 SECTION

13 SECTION

14 ROOF GIRDER @ STAIR #1

15 JOIST GIRDER @ STAIR #1



16 SECTION

17 SECTION @ HOIST BEAM

18 SECTION

19 UNIT SUPPORT FRAME

REVISION		
NO.	DATE	DESCRIPTION
1	09/06/11	REVISION #3

FRAMING SECTIONS & DETAILS

S4.2

ISSUE DATE: 12.21.10 JOB NUMBER: 0804