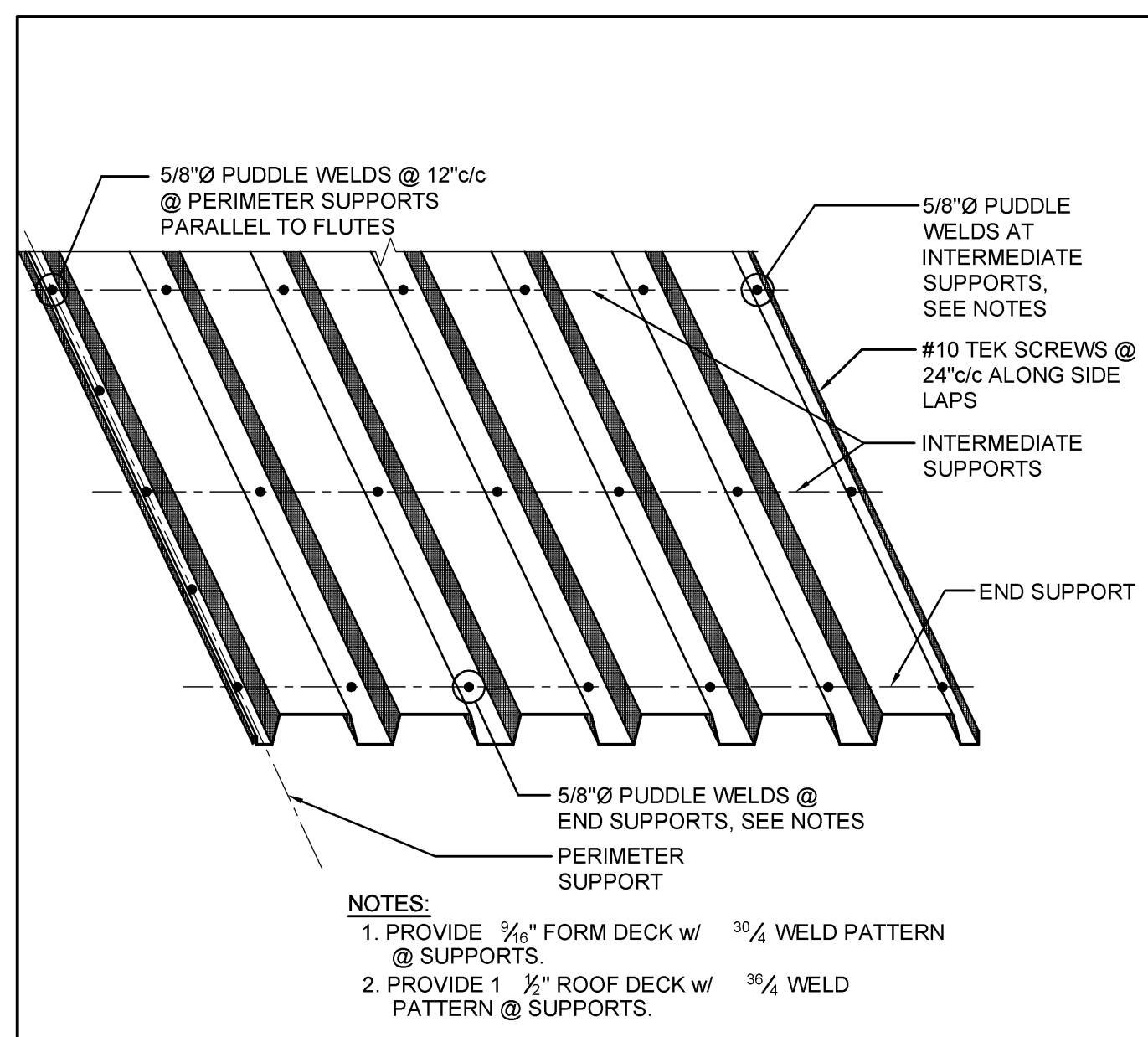
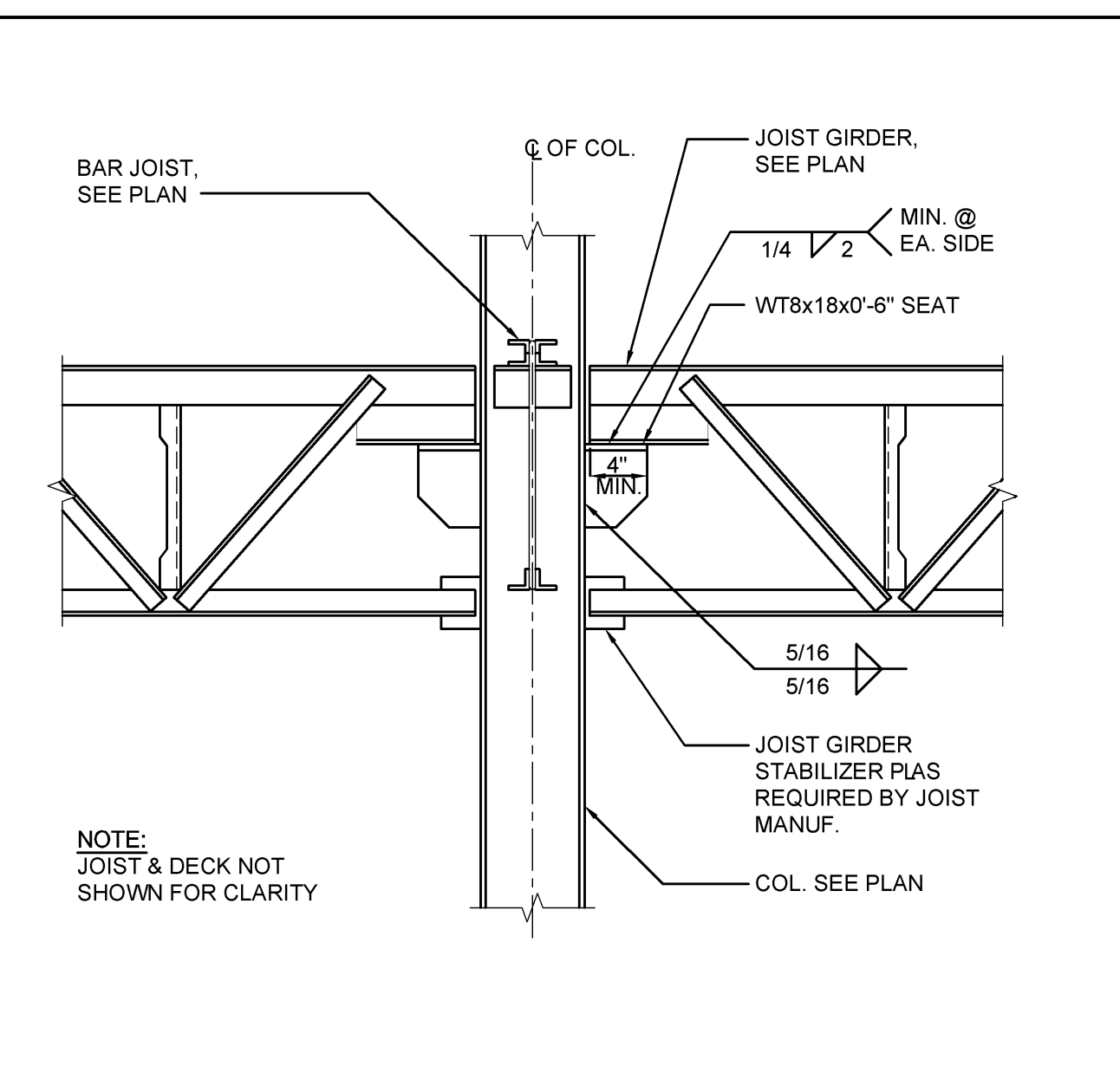


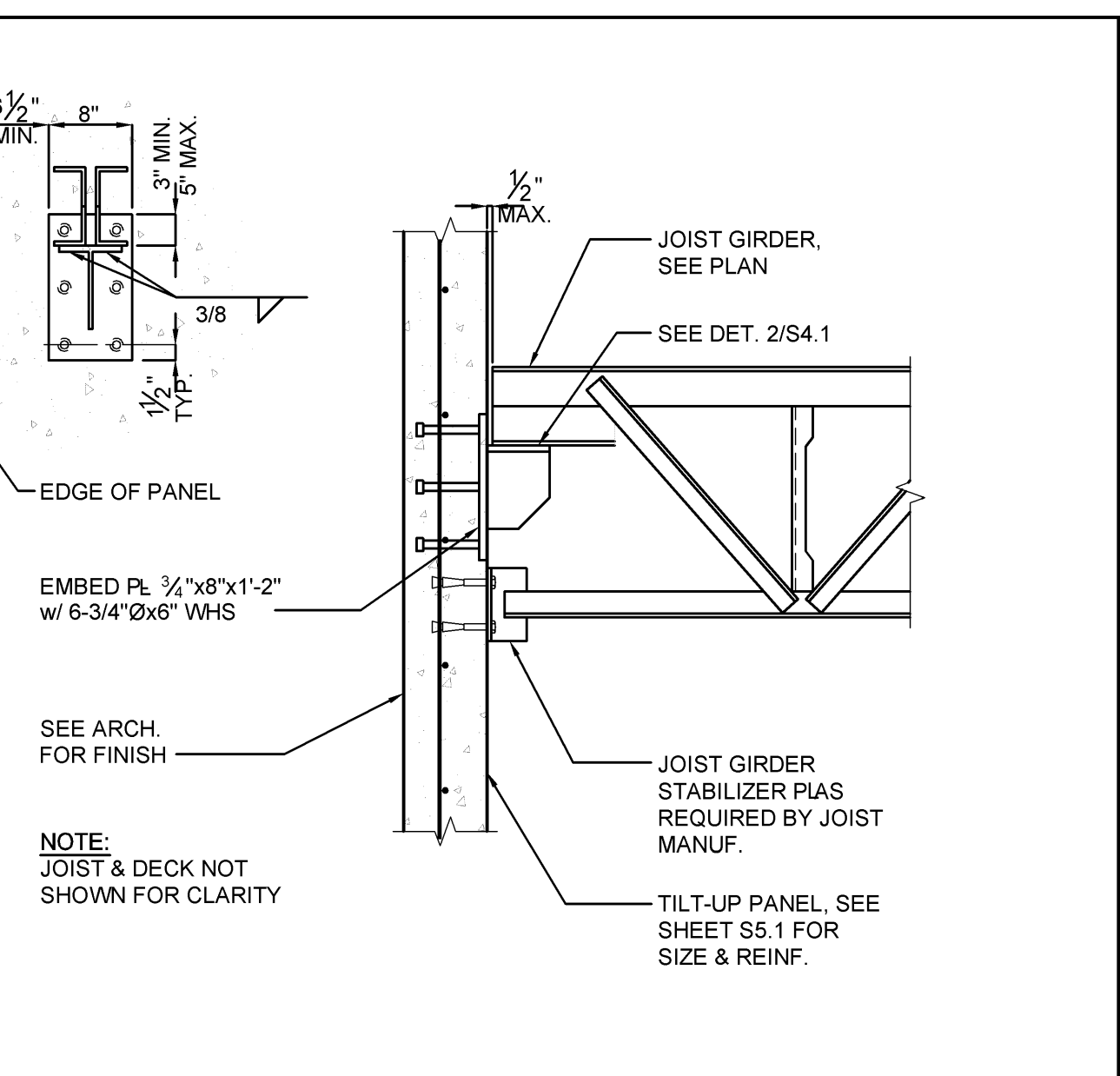
© COPYRIGHT 2007, DAVIS, STOKES COLLABORATIVE, P.C. ALL RIGHTS RESERVED.



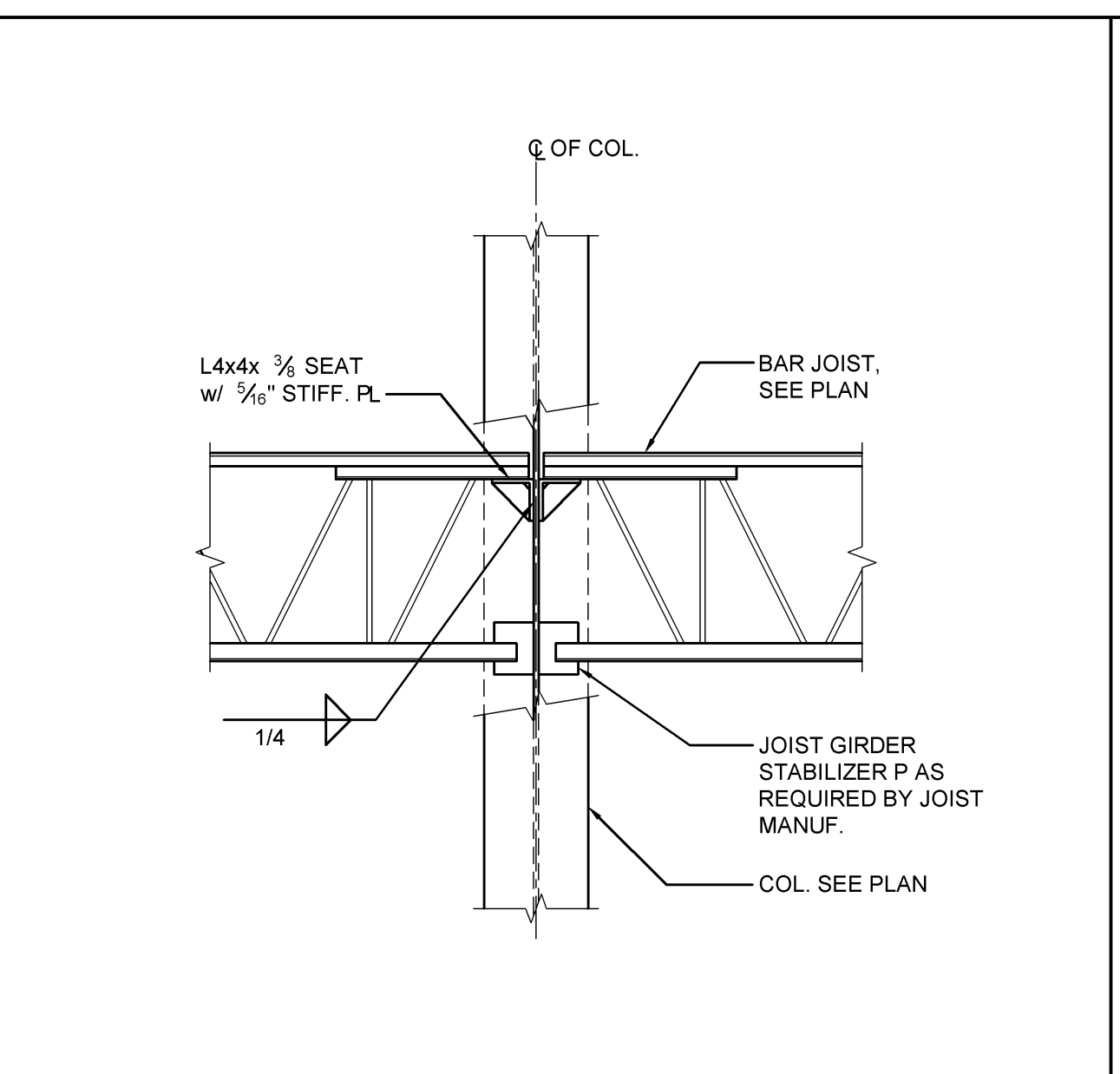
1 DECK ATTACHMENT DETAIL



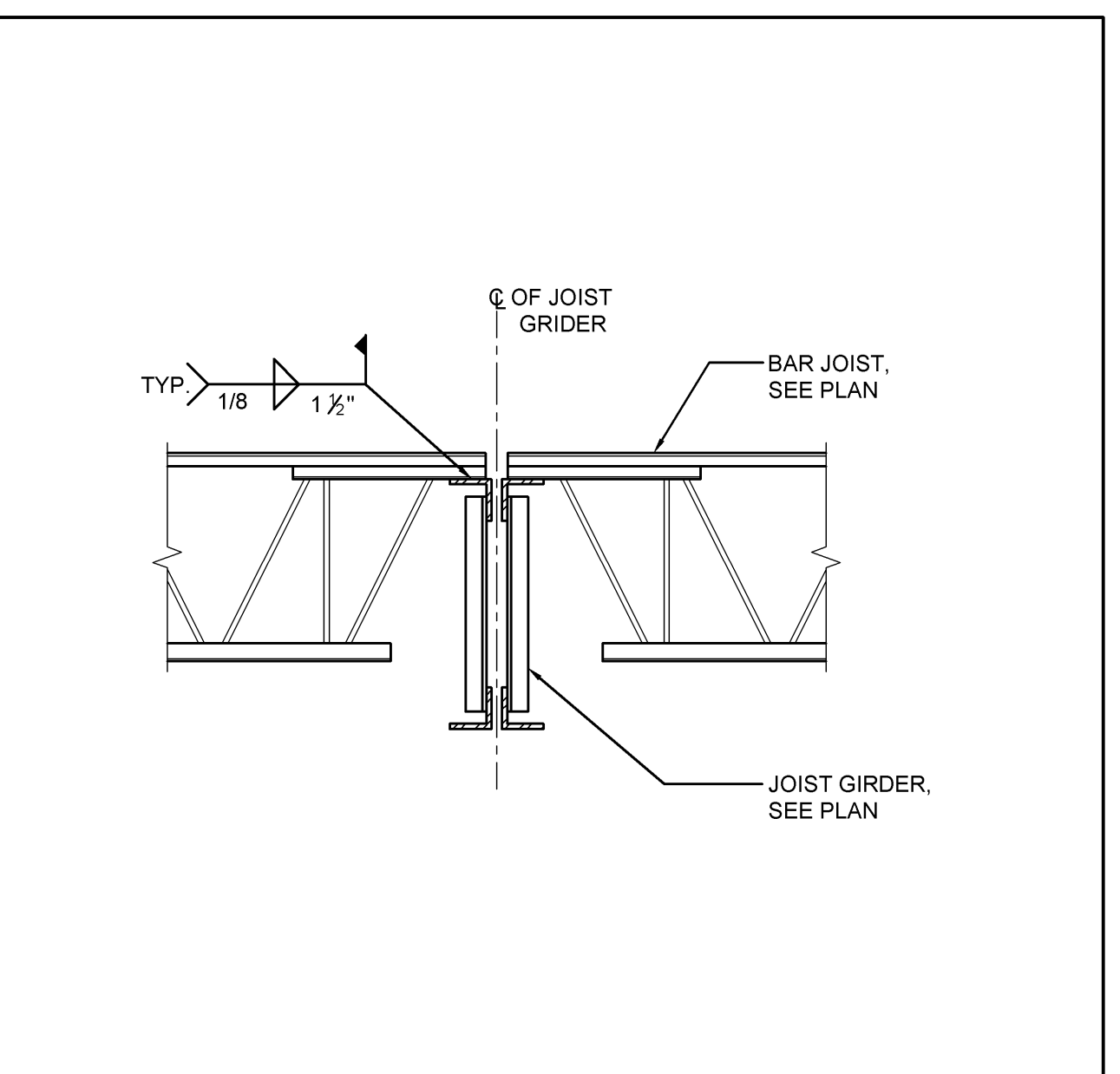
2 JOIST GIRDER TO COL. CONN. DETAIL



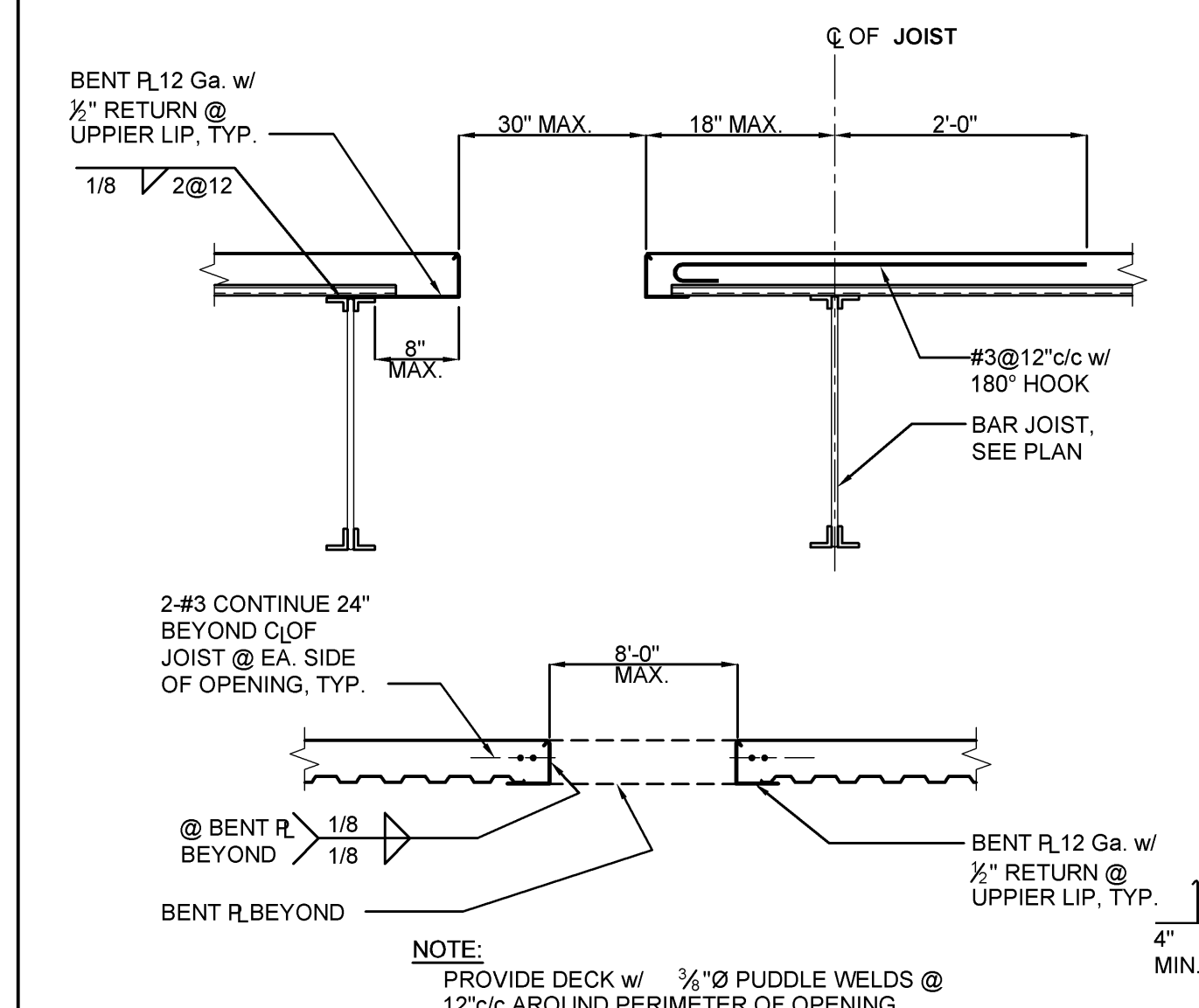
3 JOIST GIRDER SEAT DETAIL



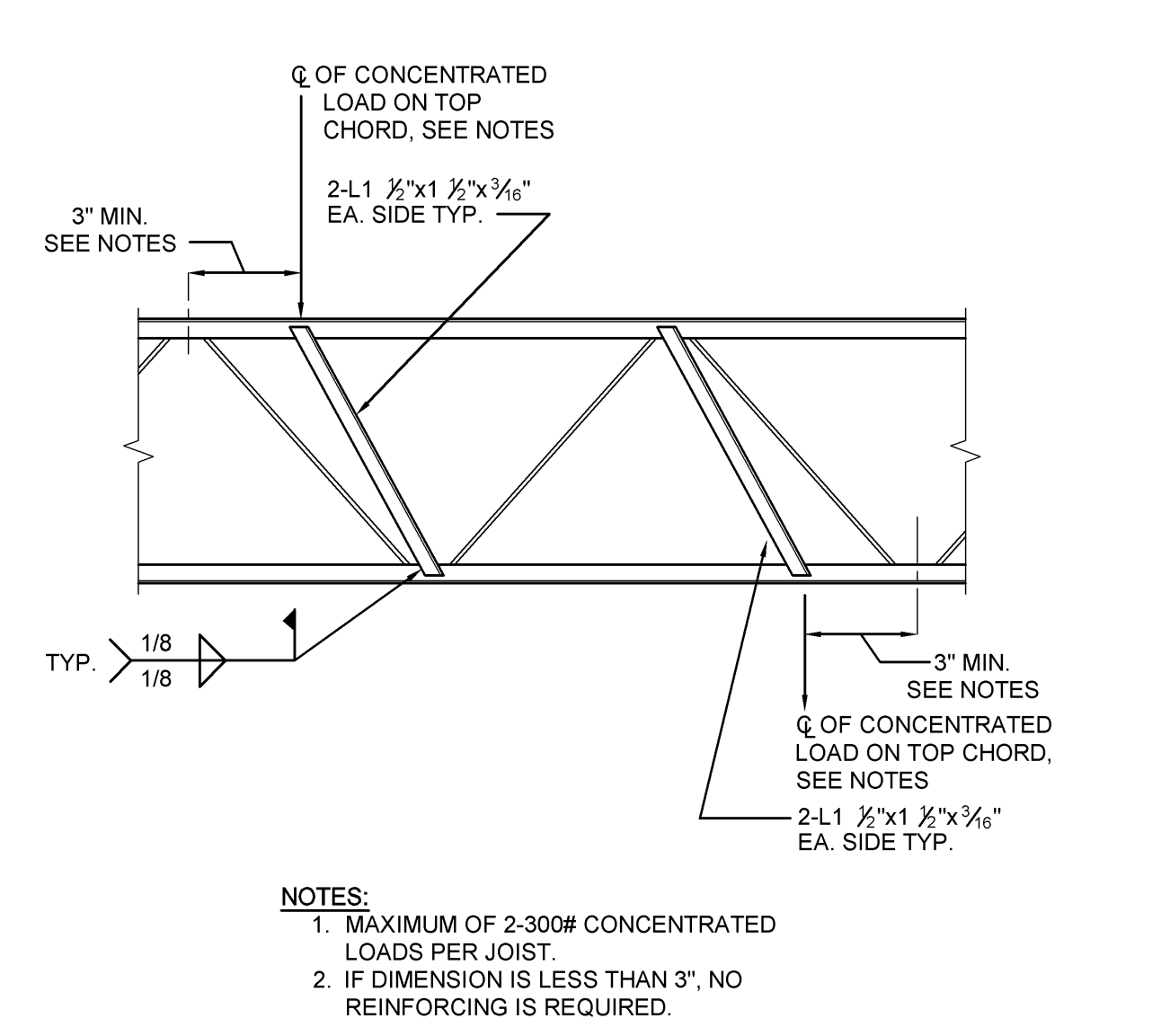
4 JOIST TO COL. CONN.



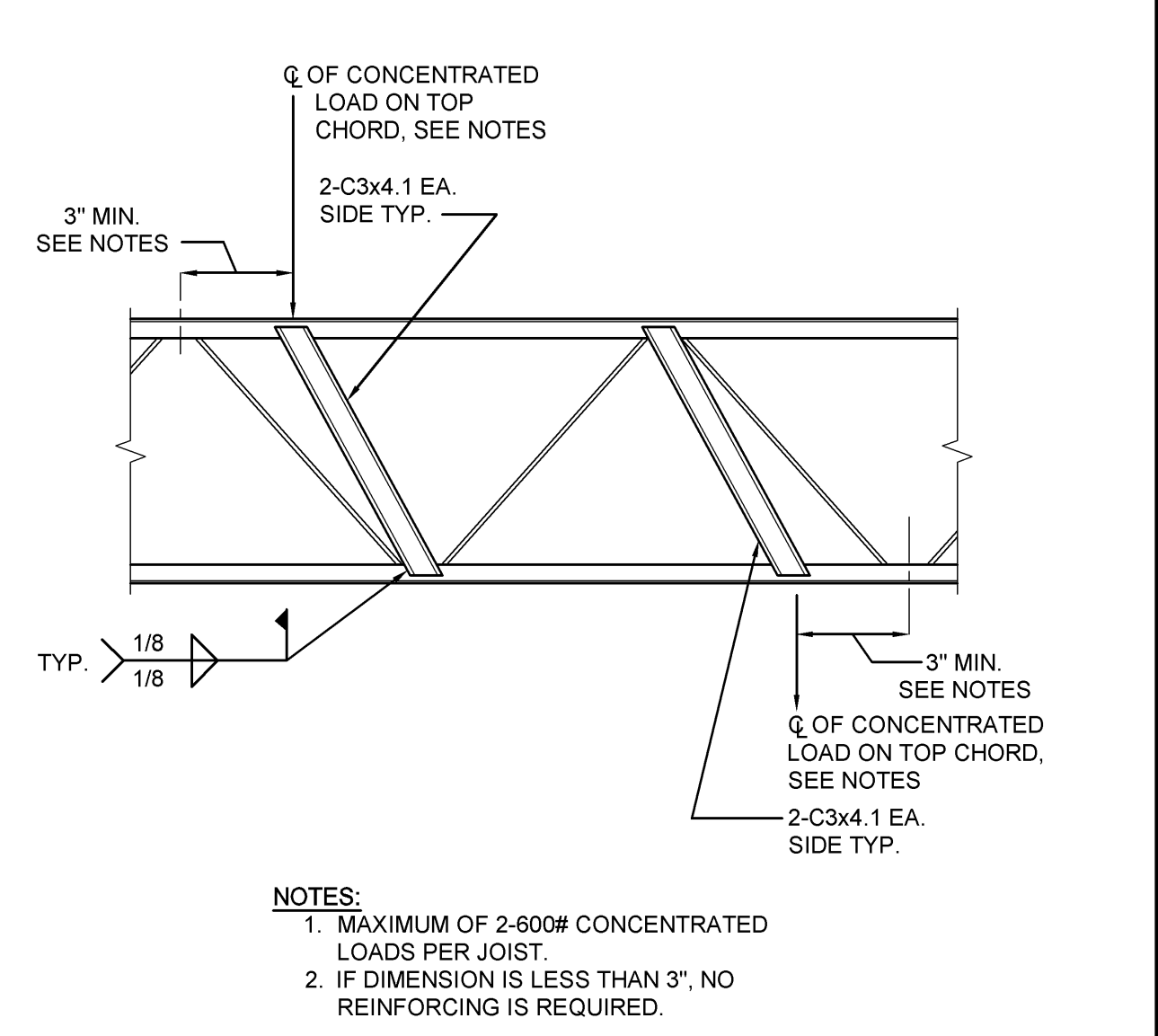
5 JOIST TO JOIST GIRDER



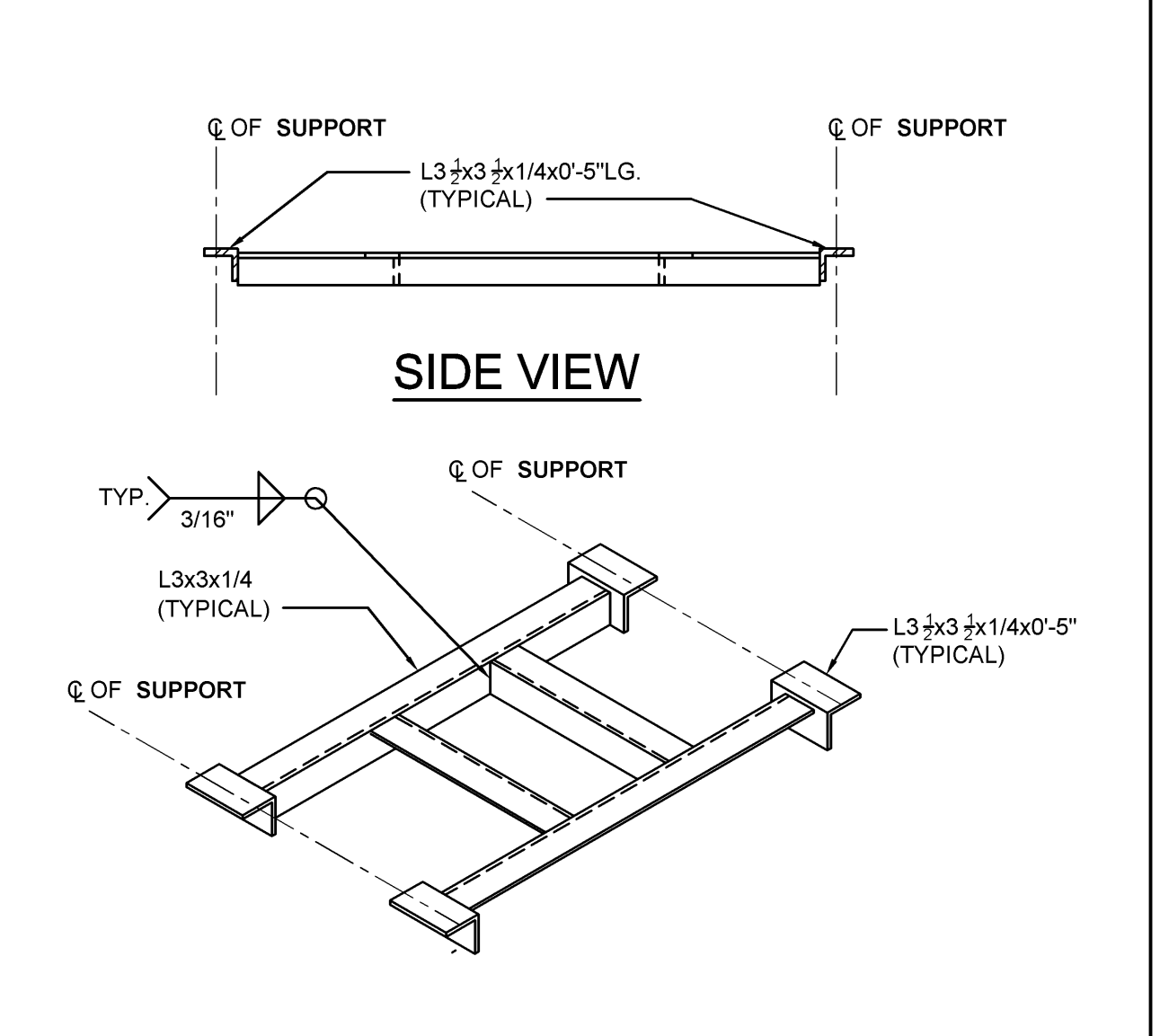
6 TYP. UNFRAMED SLAB OPENING



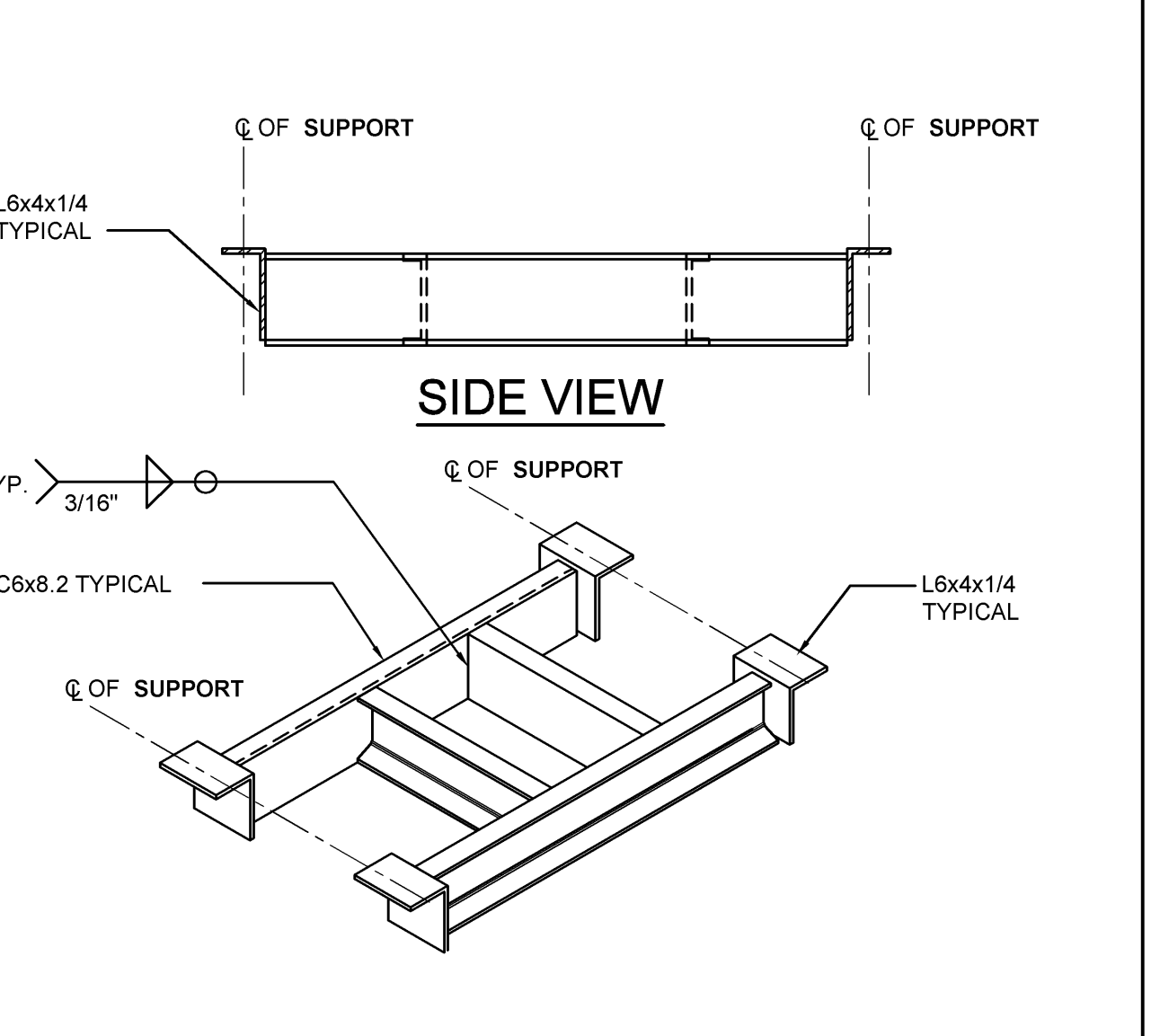
7 TYP. JOIST REINFORCEMENT @ CONCENTRATED LOADS



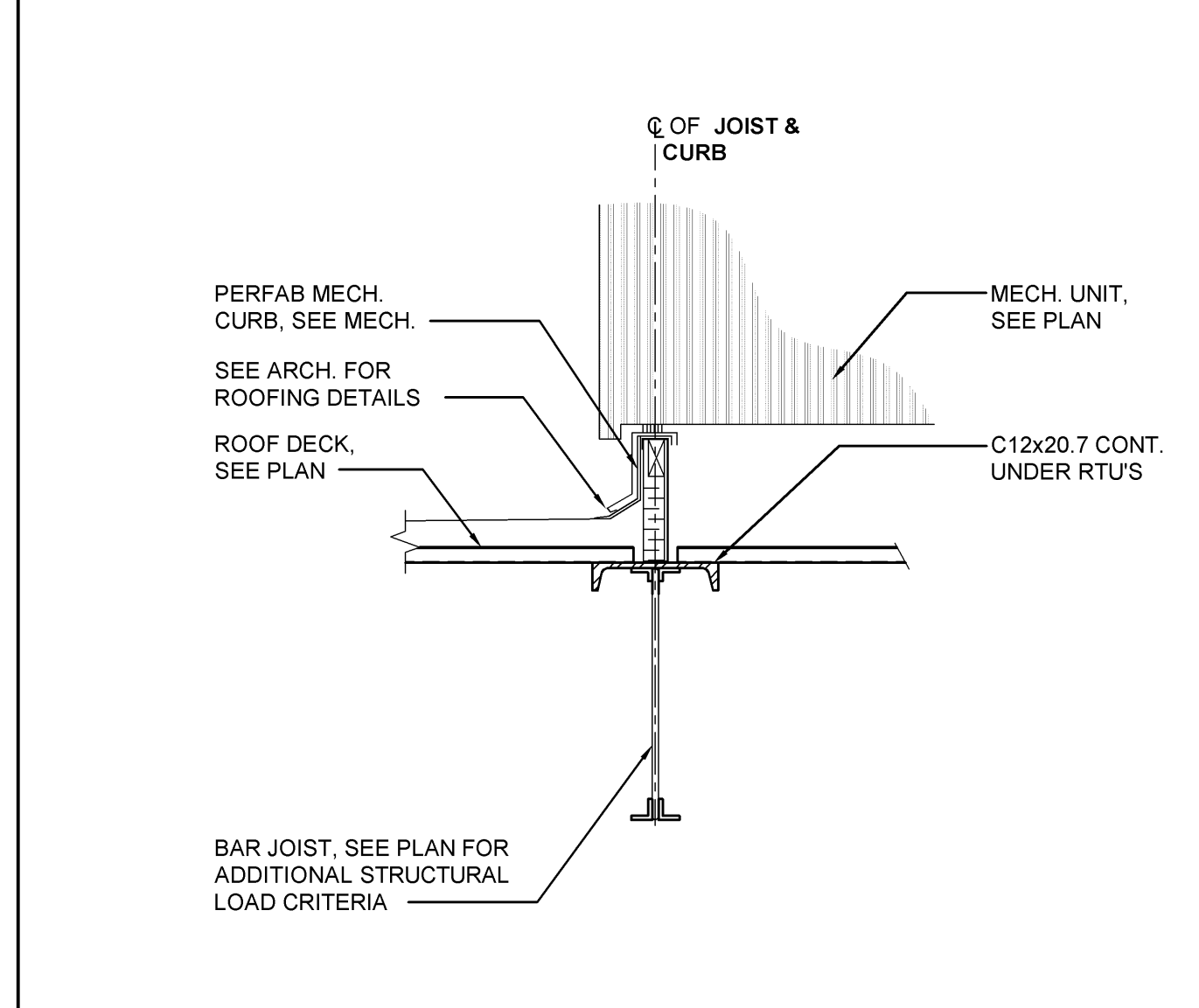
8 TYP. JOIST REINFORCEMENT @ CONCENTRATED LOADS



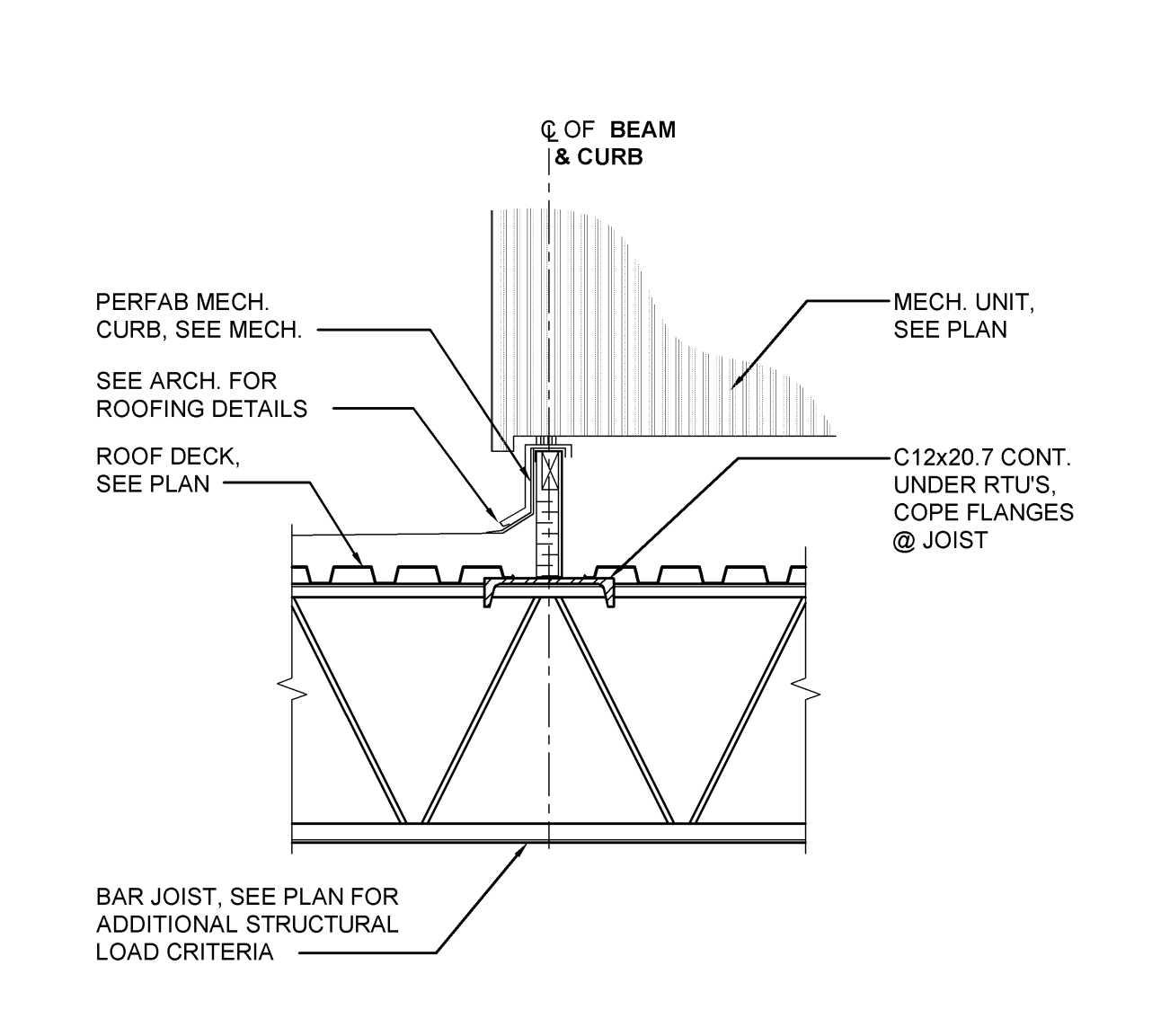
9 TYPICAL ROOF OPENING FRAME @ EQUIP. UP TO 500# MAX.



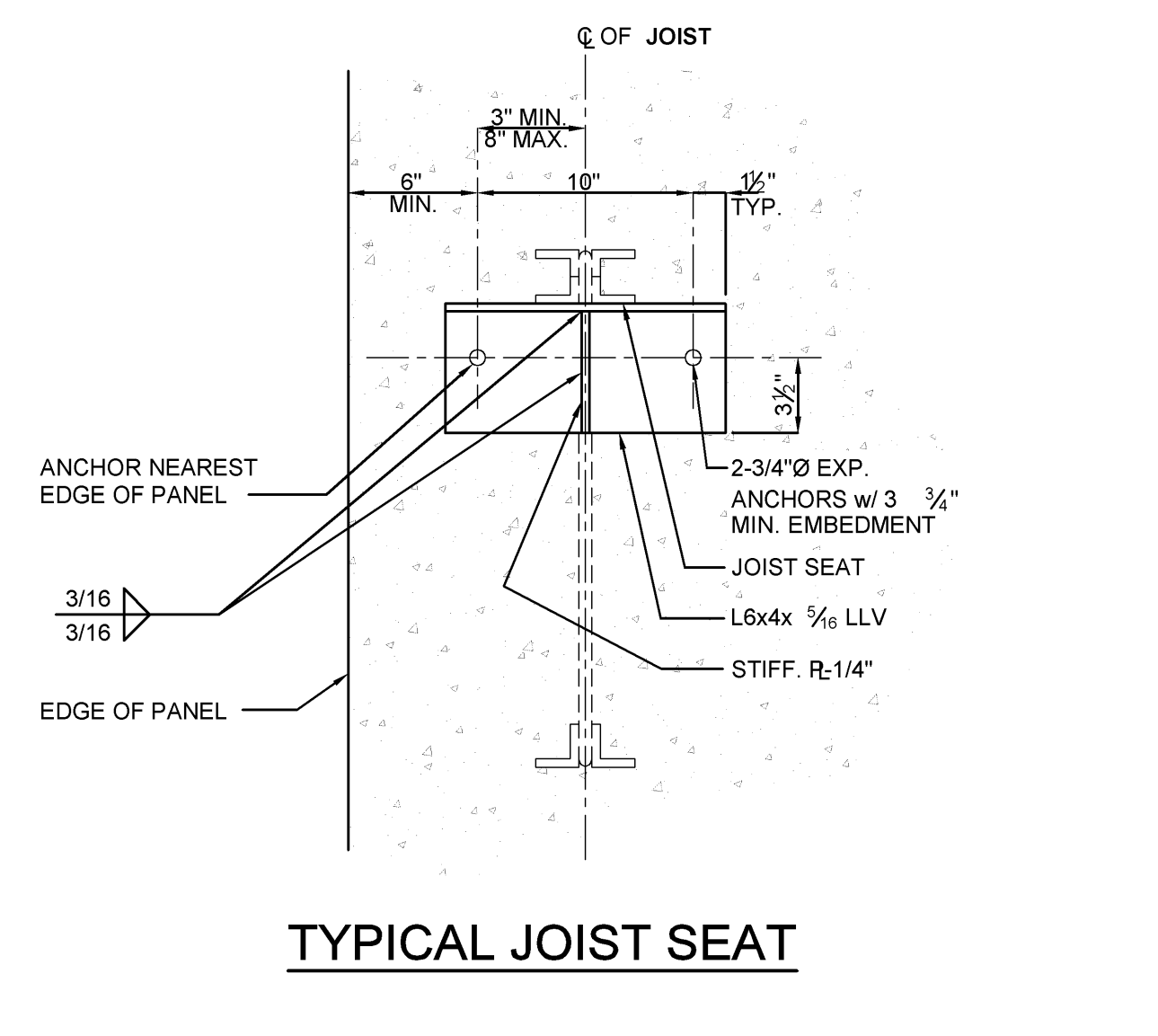
10 TYPICAL ROOF OPENING FRAME @ EQUIP. UP TO 3,000# MAX.



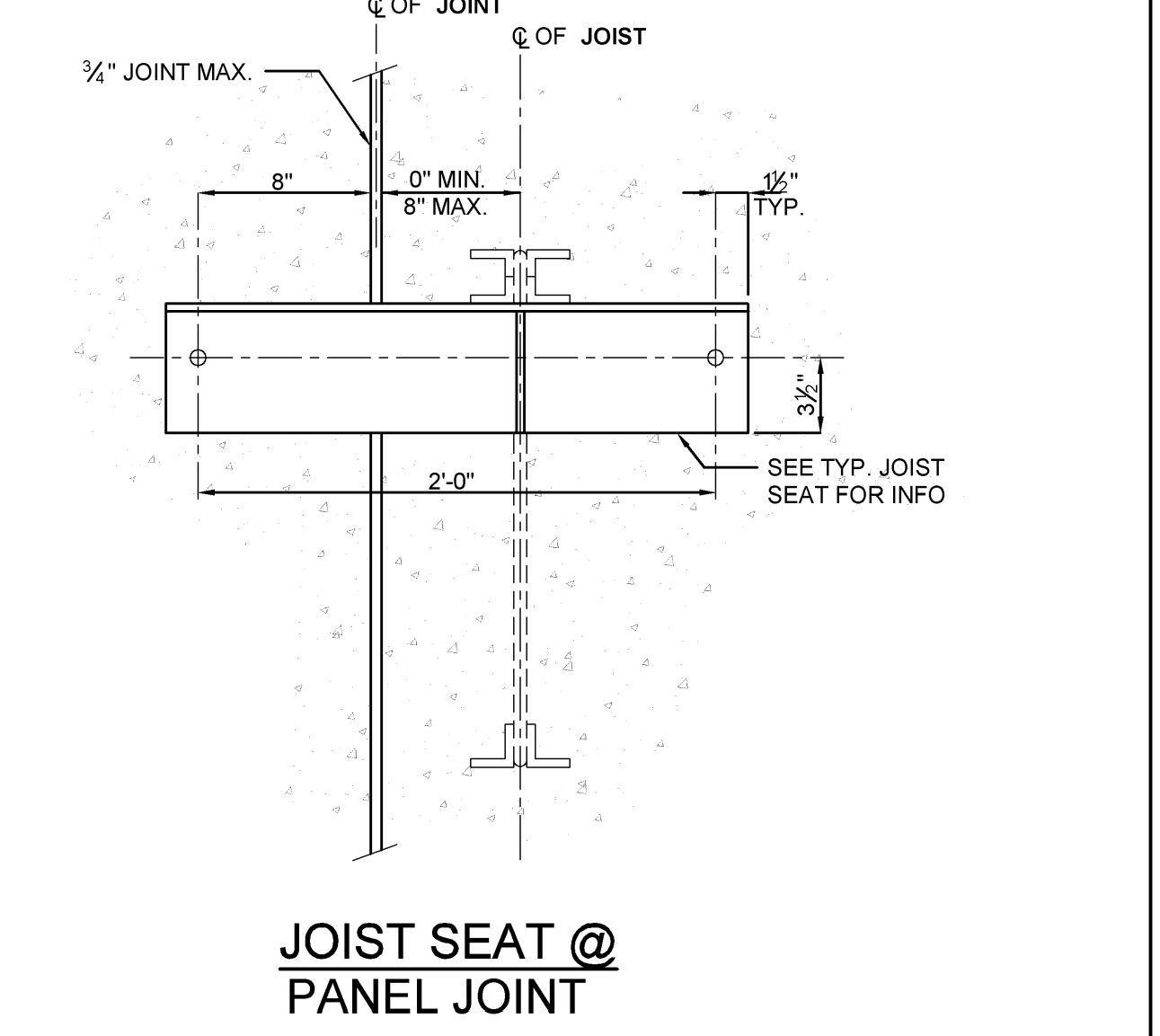
11 ROOF TOP UNIT SUPPORT DETAILS



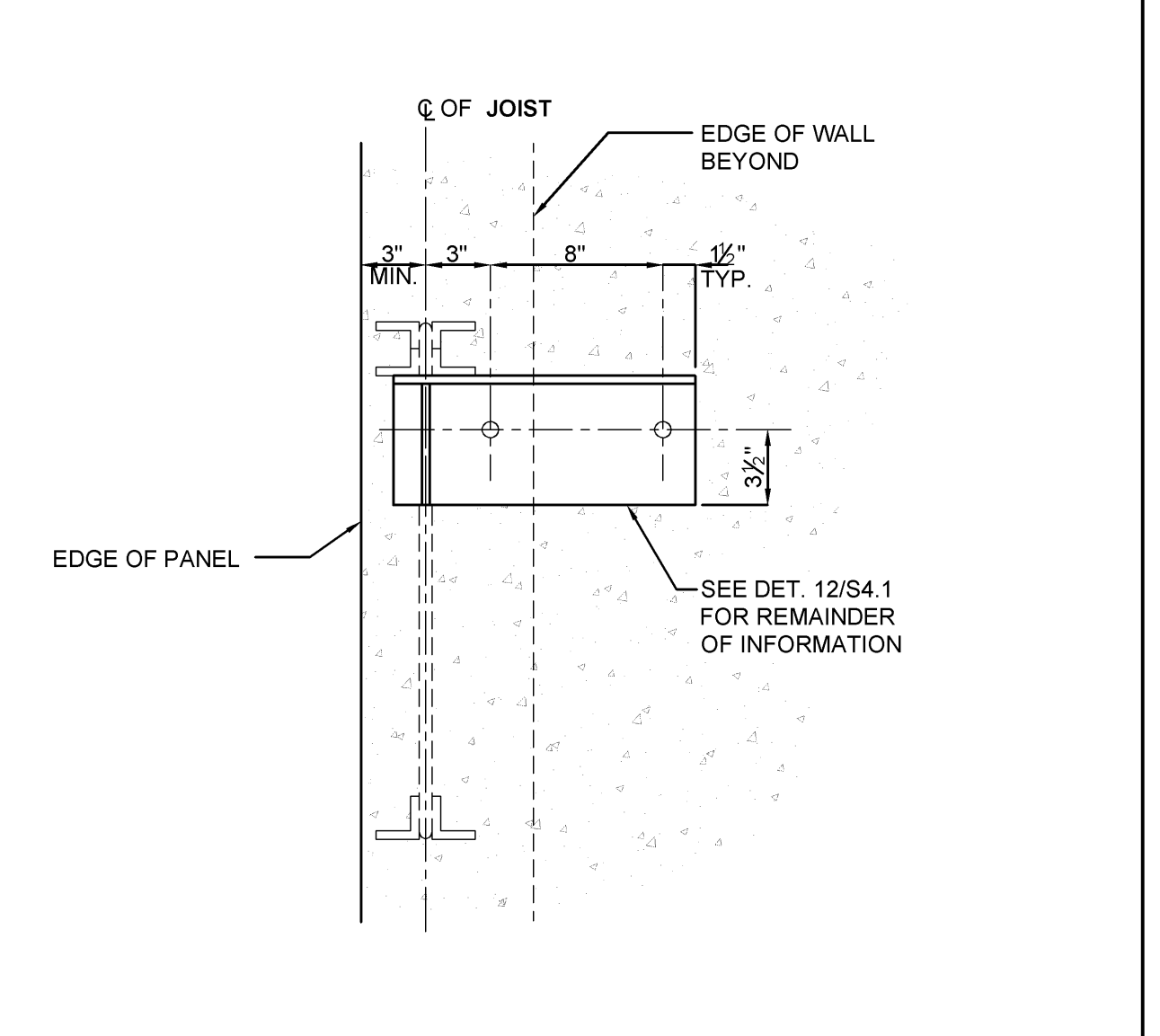
11 ROOF TOP UNIT SUPPORT DETAILS



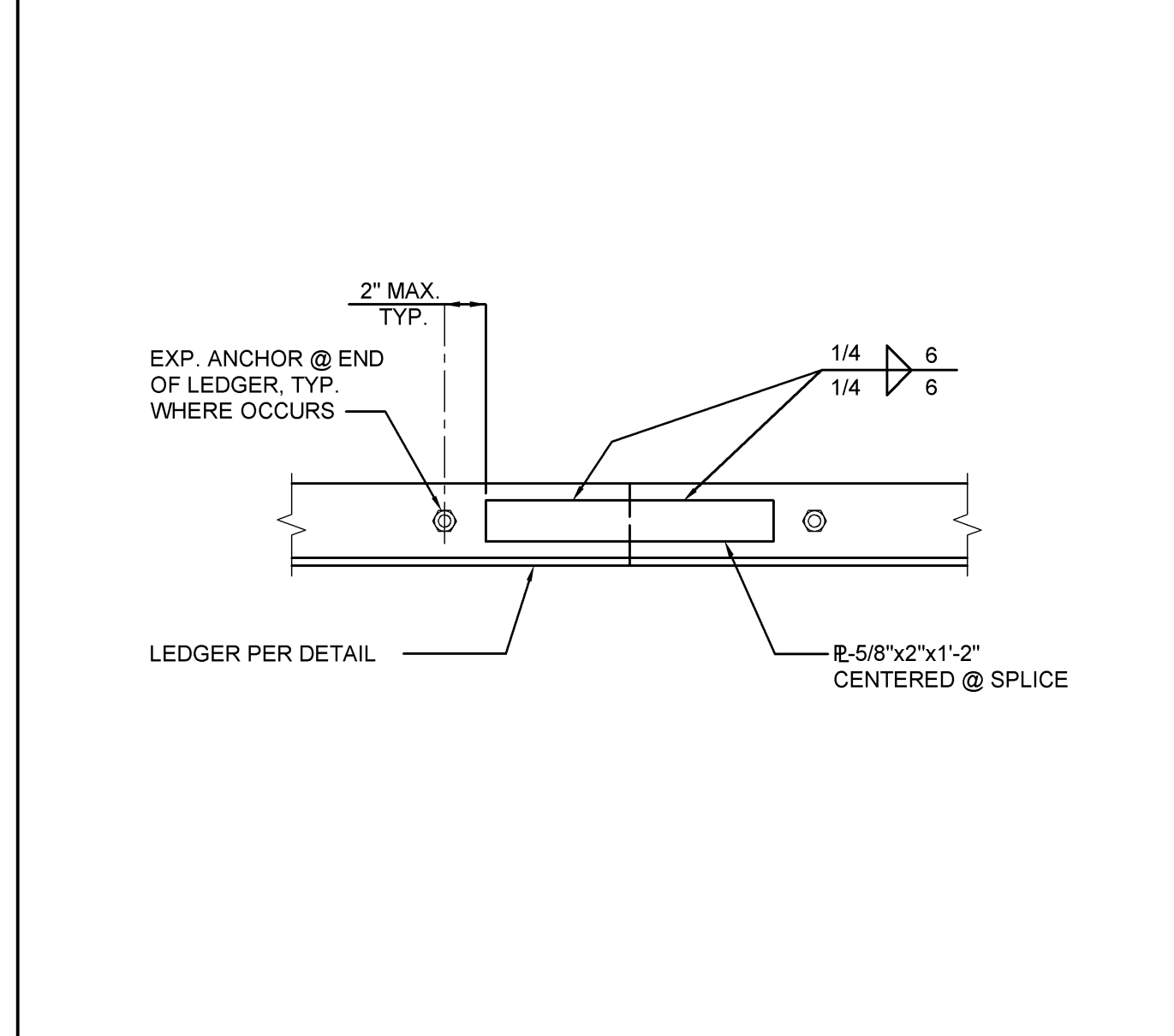
12 TYPICAL JOIST SEAT DETAILS



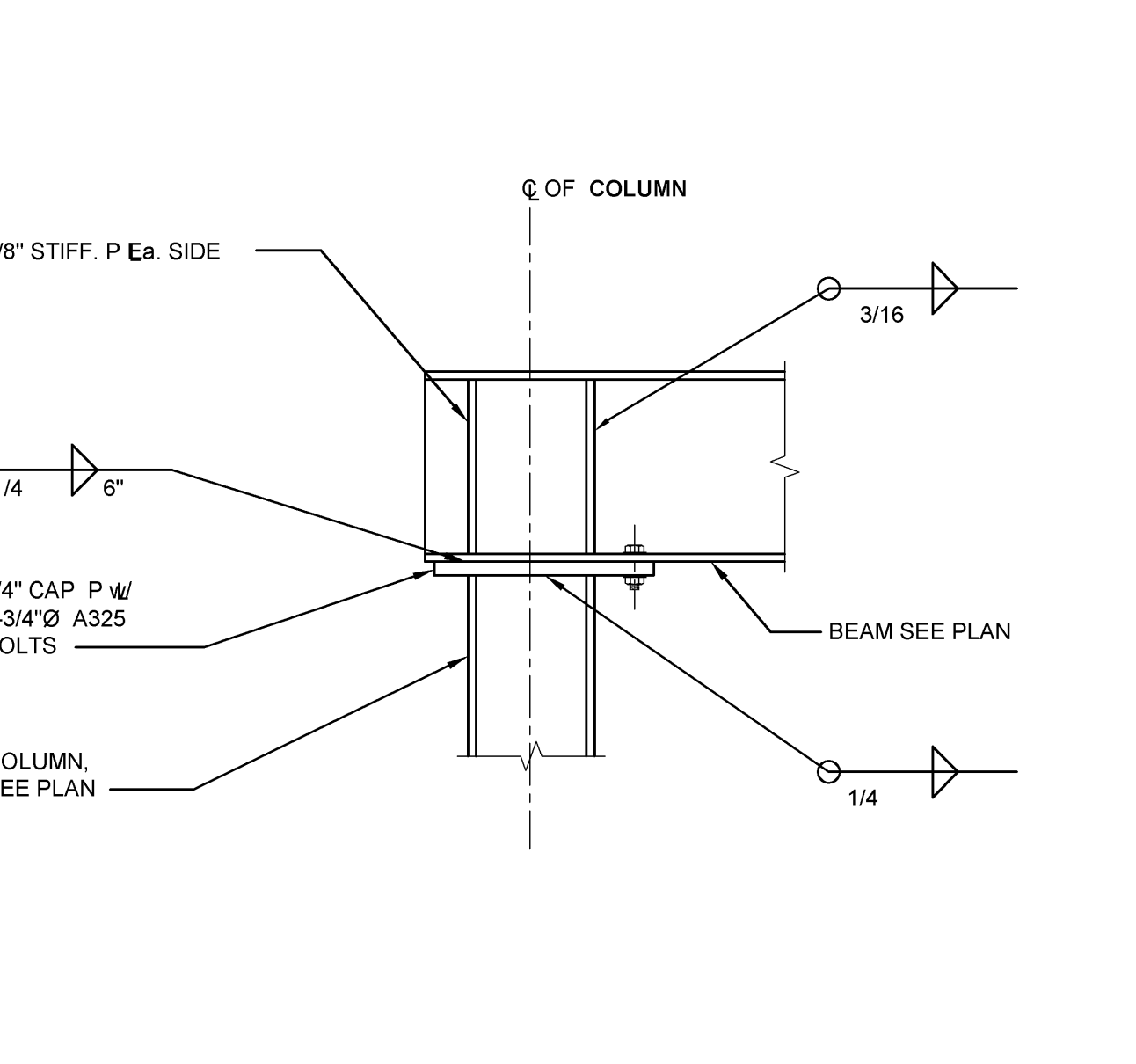
12 TYPICAL JOIST SEAT DETAILS



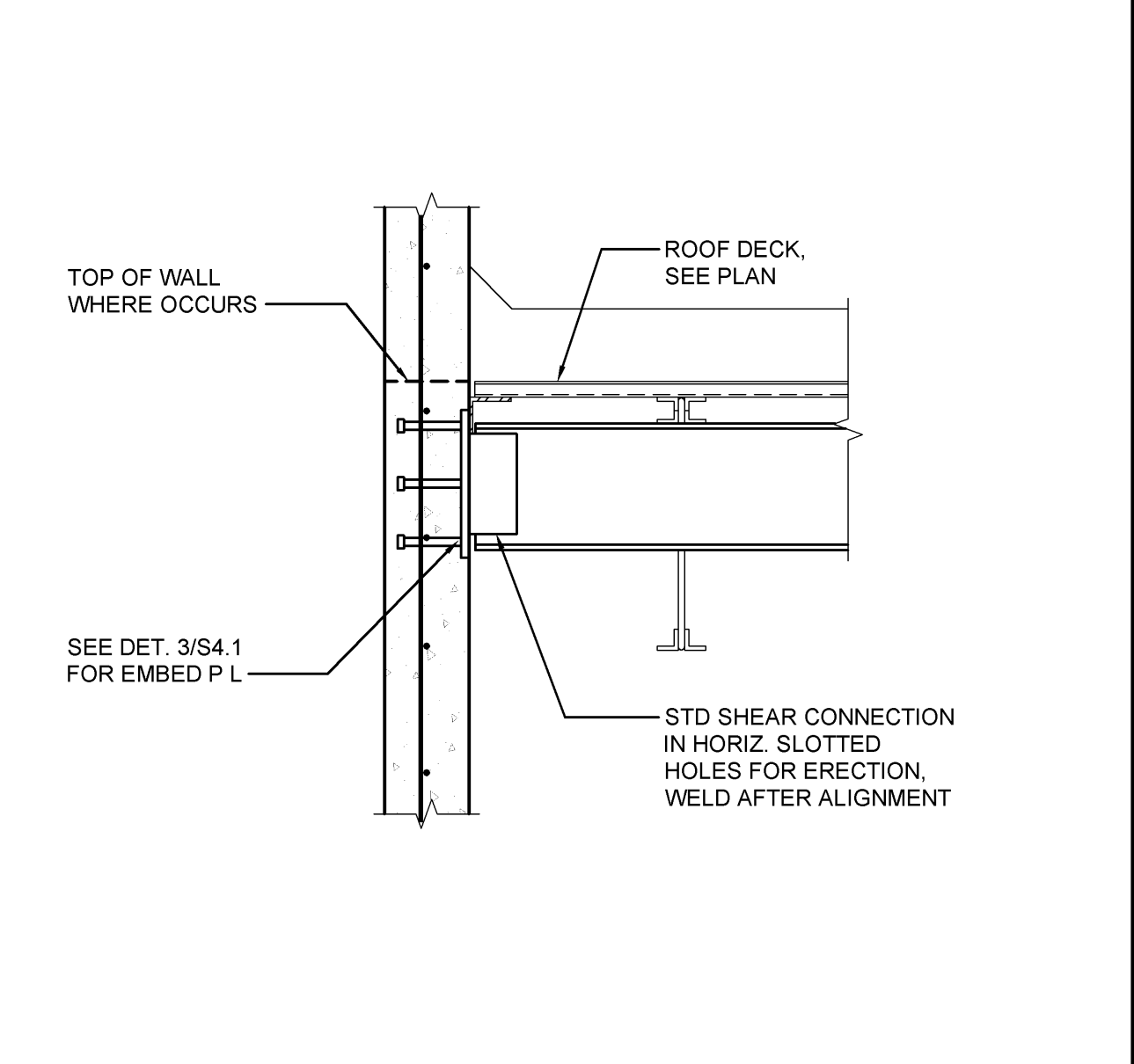
13 ROOF JOIST @ PANEL EDGE



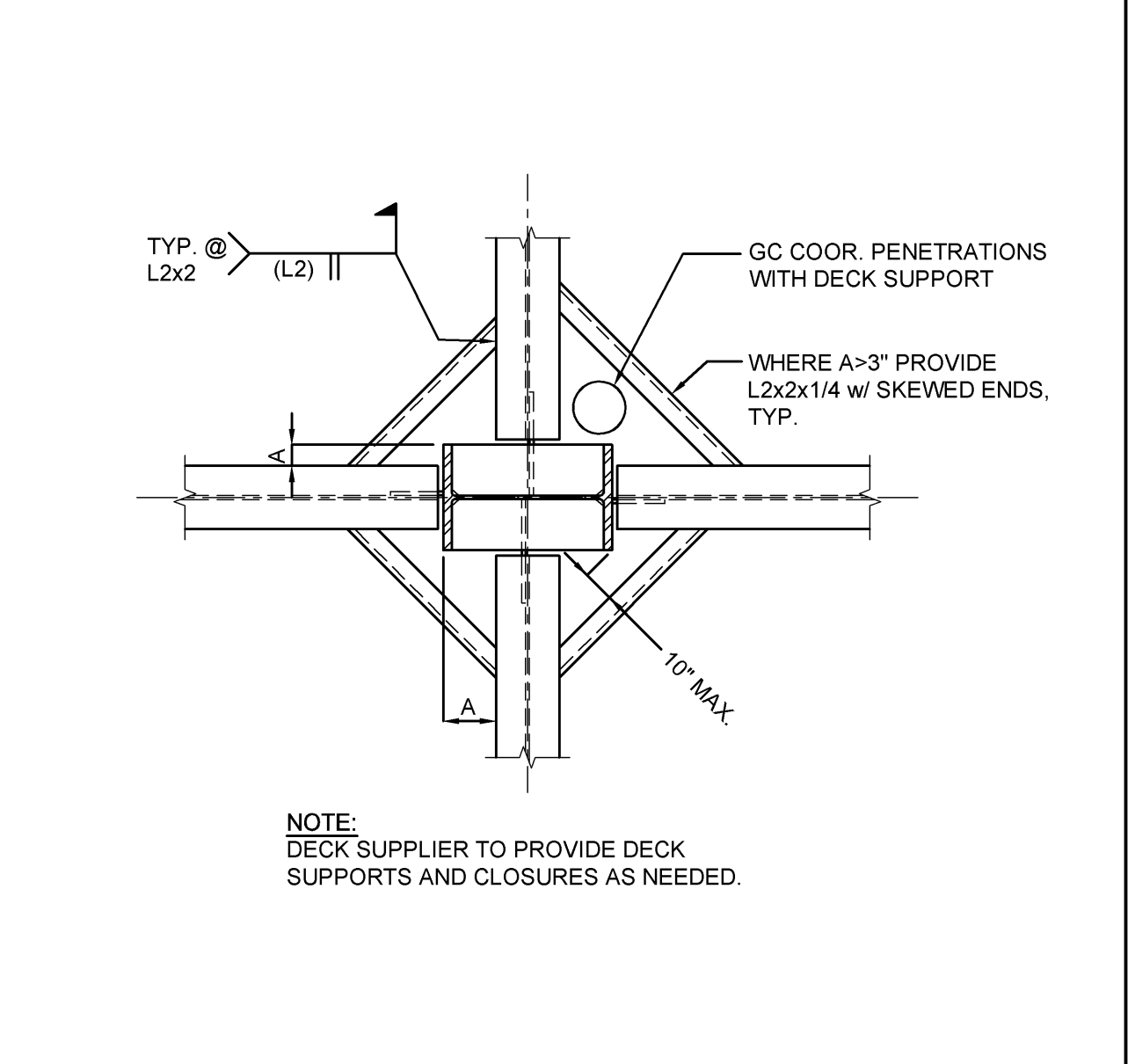
14 TYP. LEDGER SPLICE



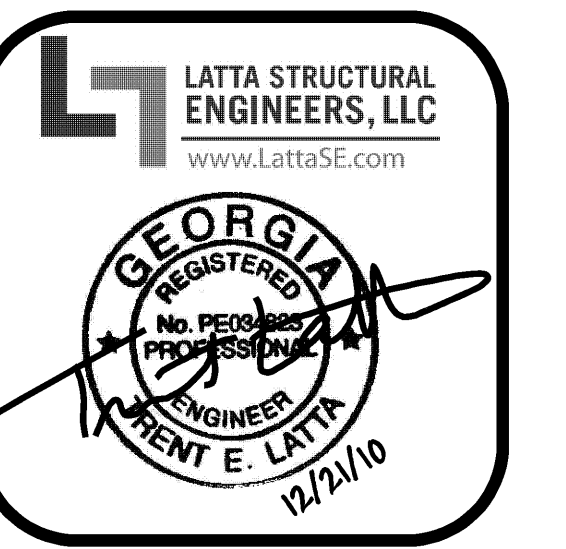
15 TYP. BEAM TO COLUMN CONN. @ CONT. BEAMS



16 TYP. BEAM CONN. TO TILT-UP PANEL @ ROOF



17 TYP. DECK SUPPORT @ COLUMN



ATHENS MEDICAL PLAZA I
2142 WEST BROAD STREET
ATHENS, GEORGIA

THIS DOCUMENT CONTAINS PROPRIETARY INFORMATION OF DAVIS, STOKES COLLABORATIVE, P.C. THIS DOCUMENT AND/OR ITS CONTENTS ARE NOT TO BE REPRODUCED OR DERIVED FROM ANY SOURCE WITHOUT THE WRITTEN CONSENT OF DAVIS, STOKES COLLABORATIVE, P.C. © 2007. ALL RIGHTS RESERVED.

DAVIS · STOKES
COLLABORATIVE, P.C.
A · R · C · H · I · T · E · C · T · S
7121 CROSSROADS BLVD. BRENNWOOD, TENNESSEE 37027 TEL: 615-726-0010
http://www.dsccol.com EMAIL: dsccol@dsccol.com FAX: 615-726-2090

REVISION		
NO.	DATE	DESCRIPTION

TYPICAL FRAMING SECTIONS & DETAILS

S4.1

ISSUE DATE: 12.21.10 JOB NUMBER: 08004