

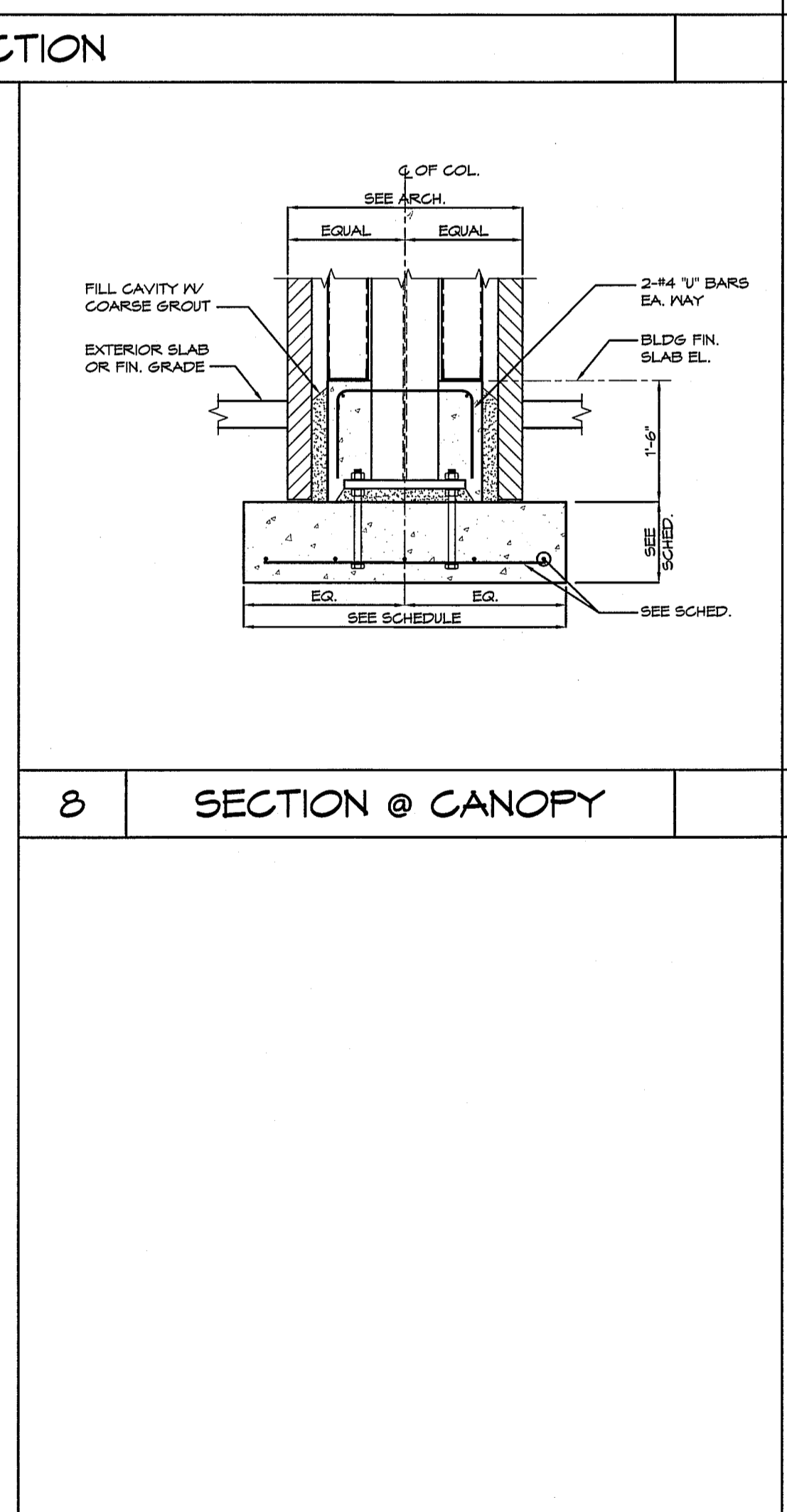
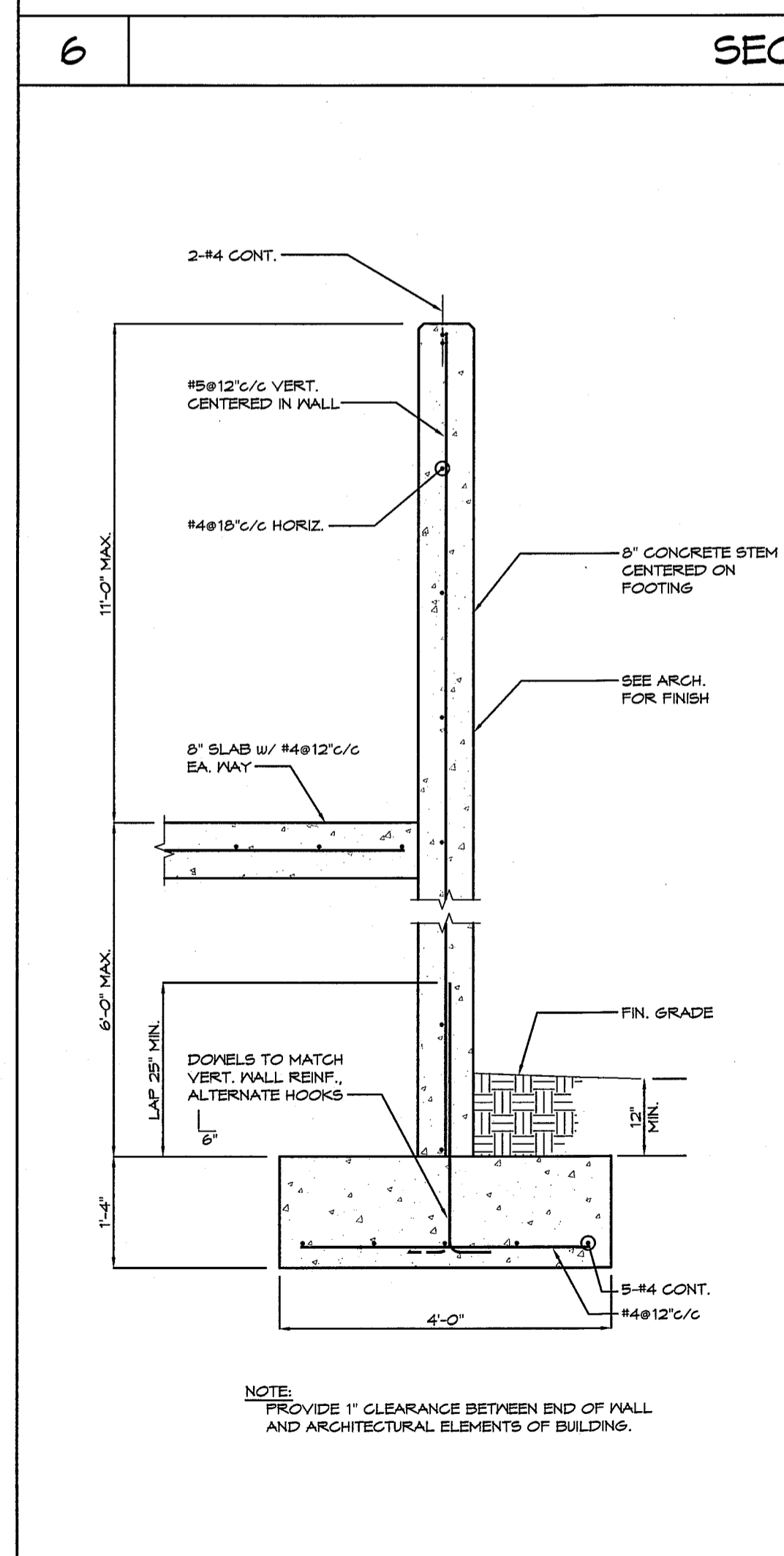
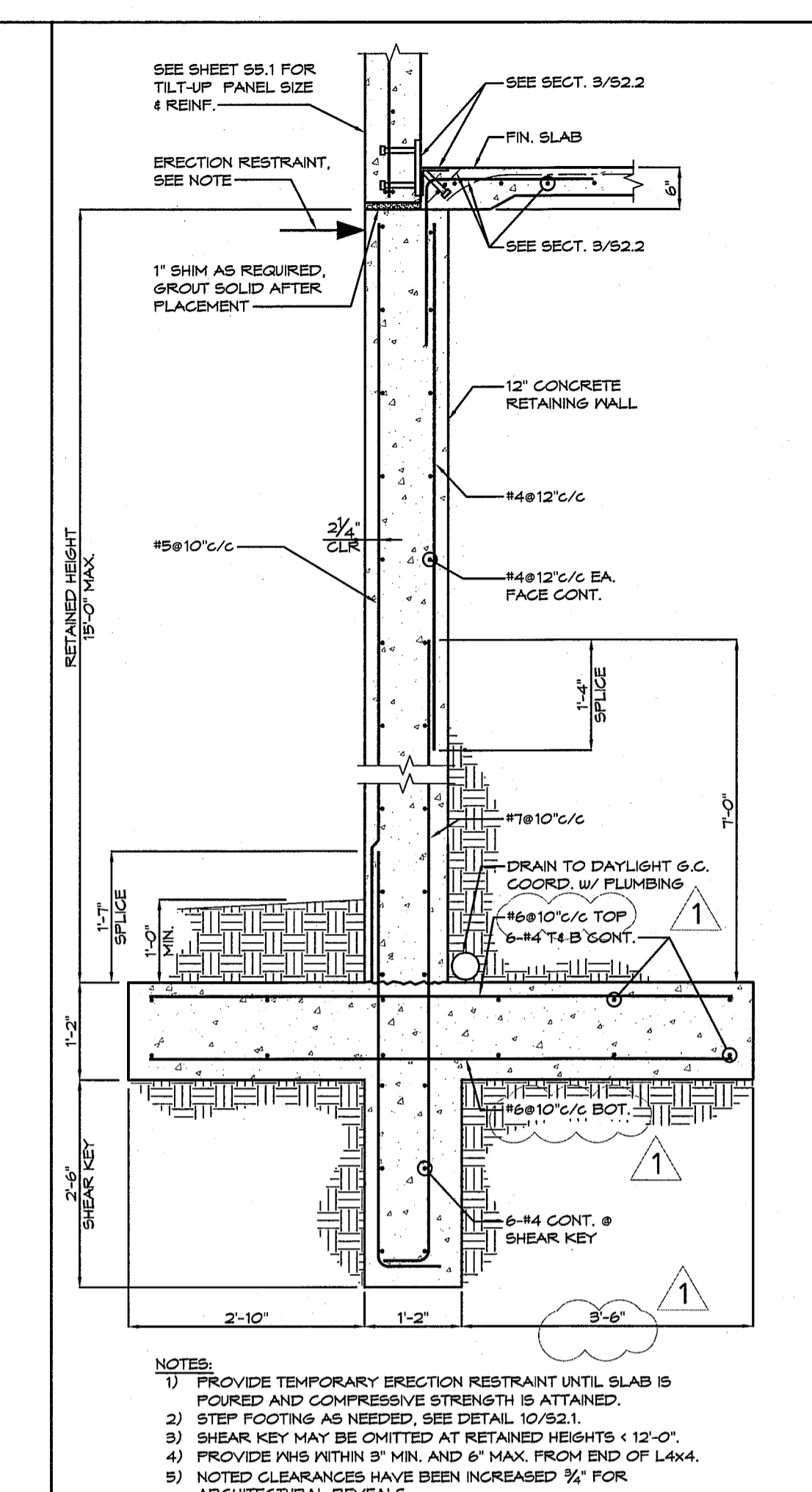
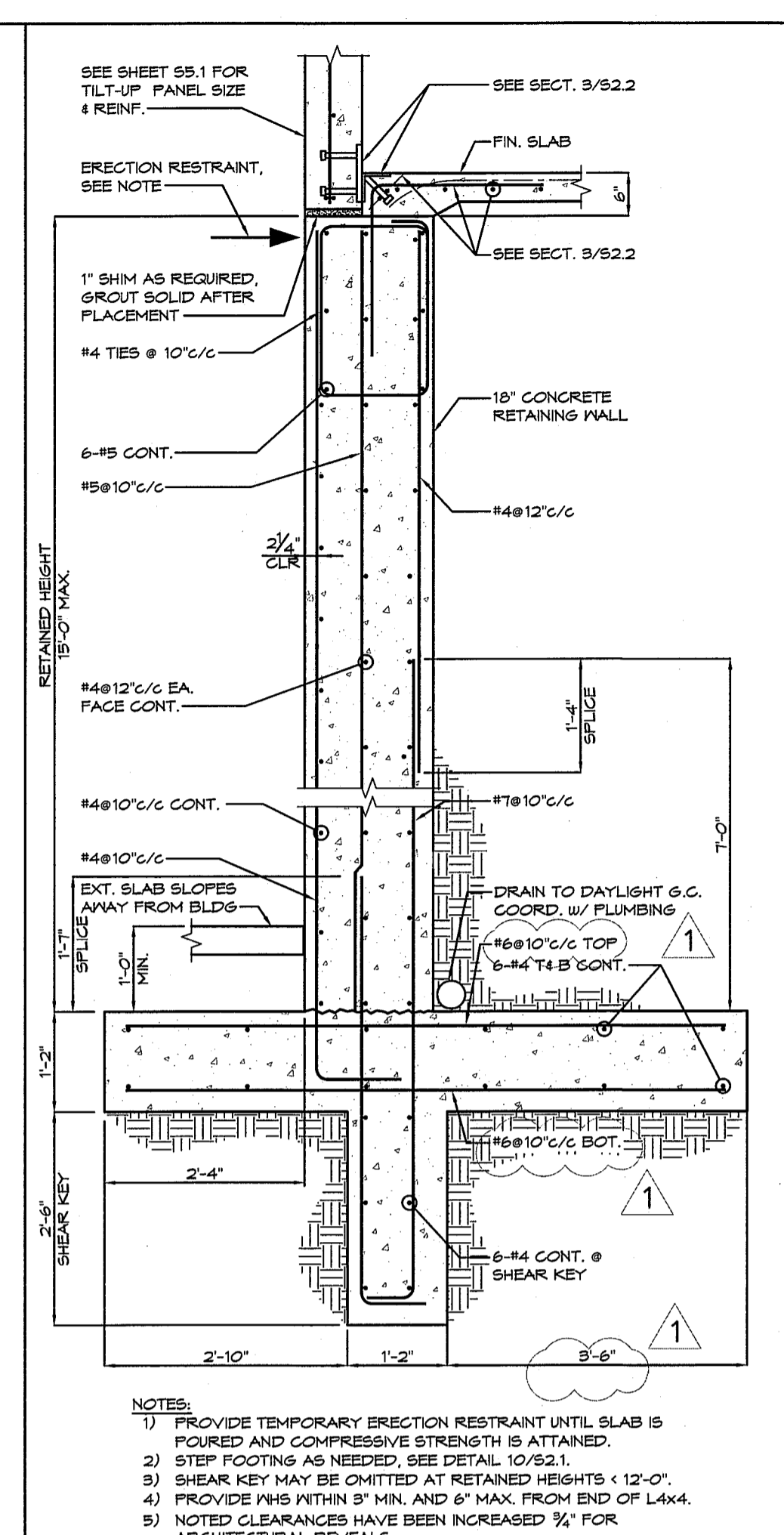
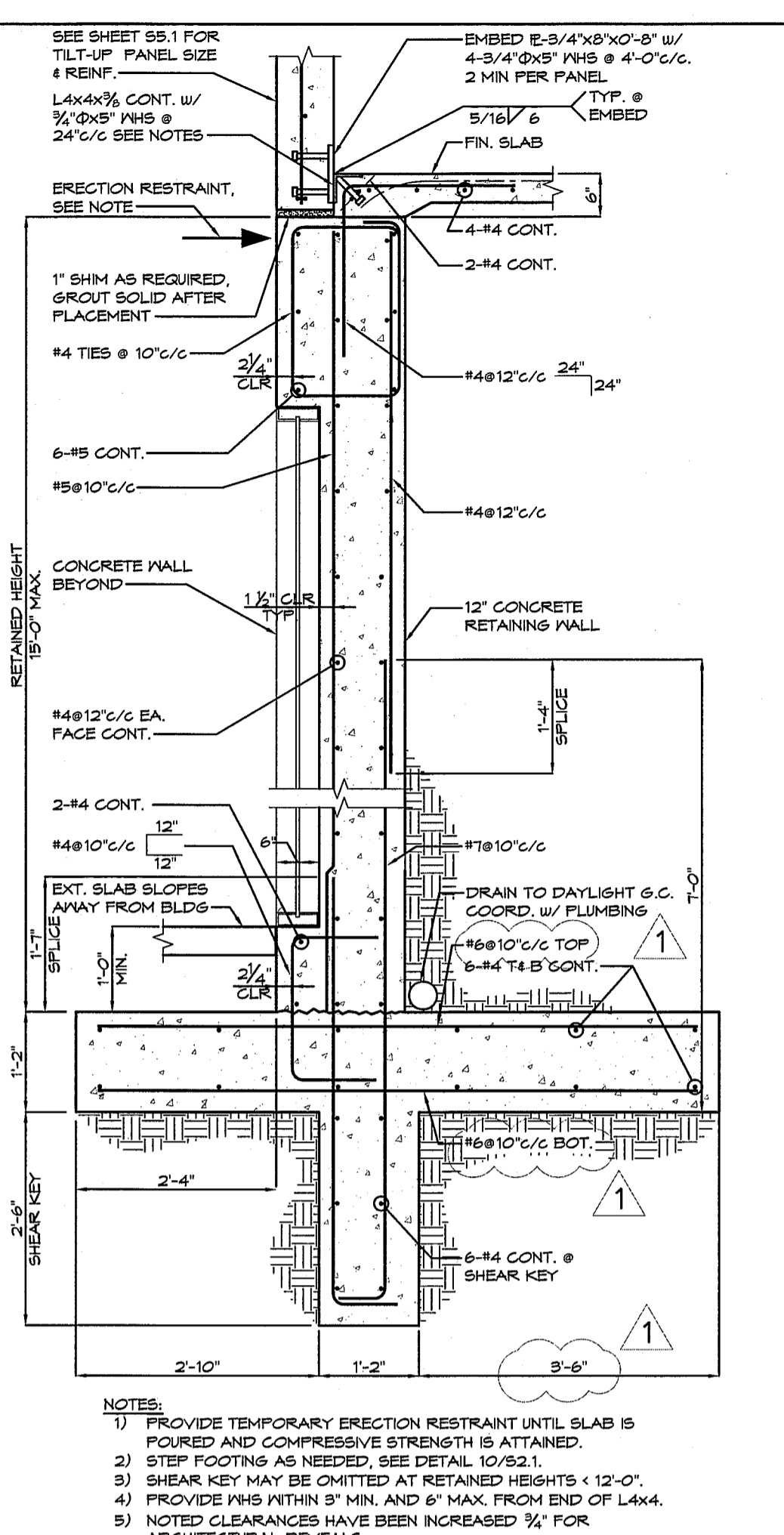
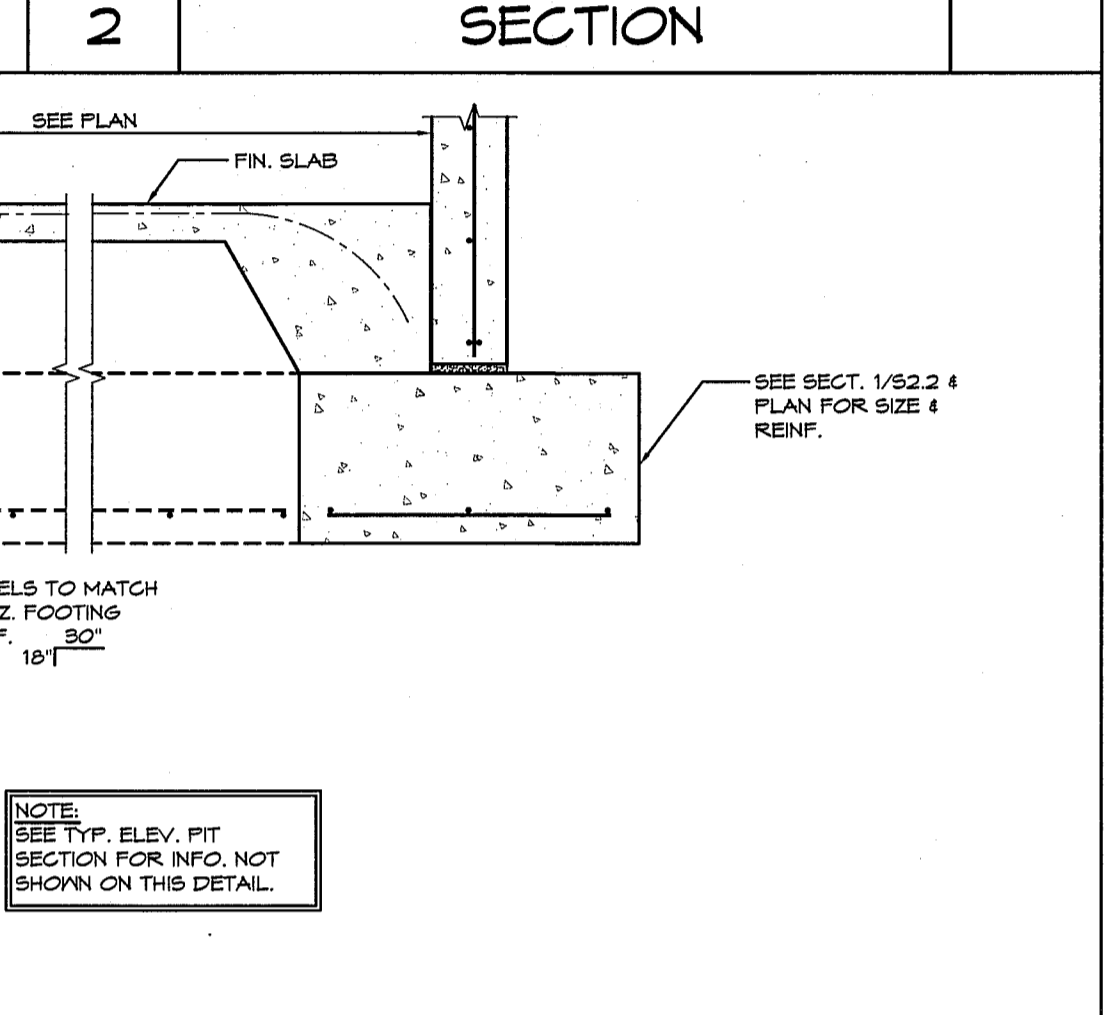
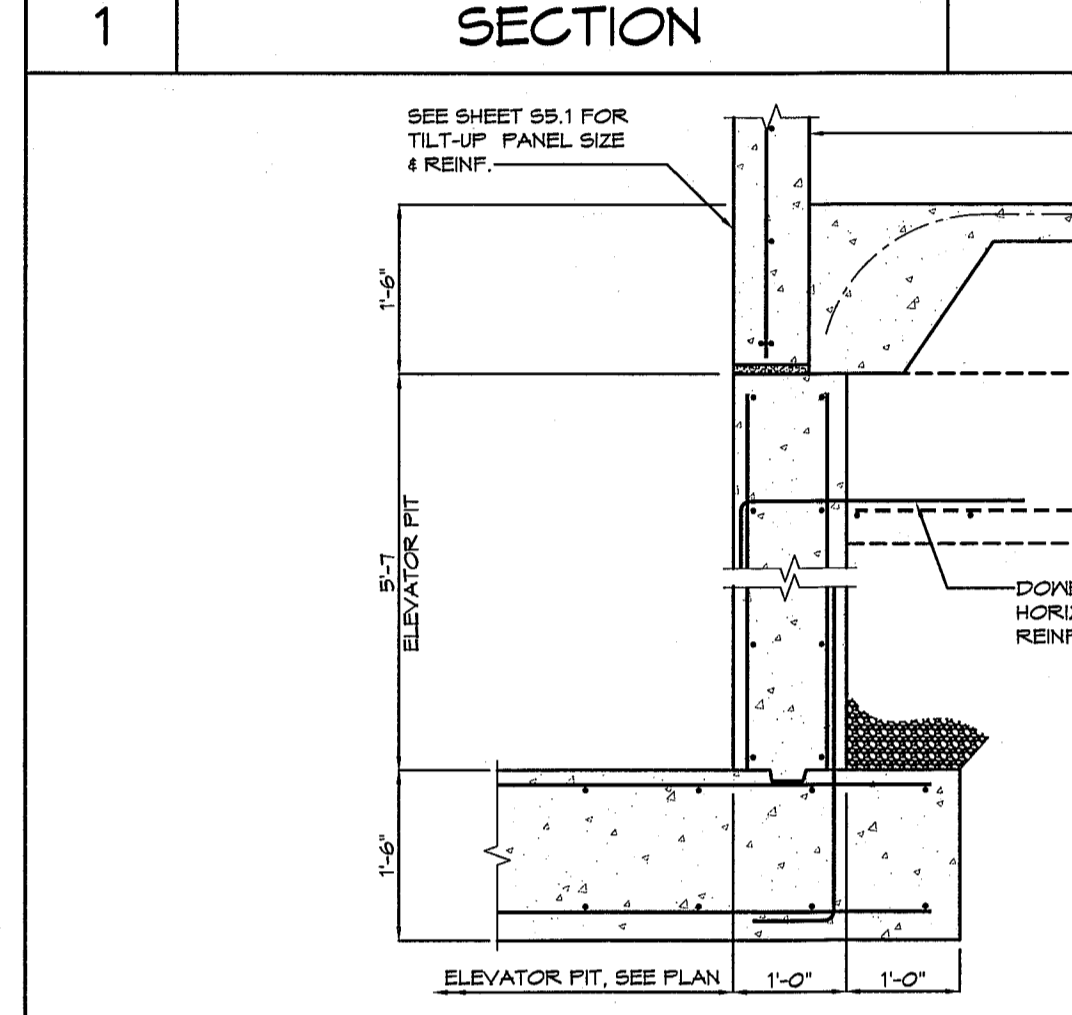
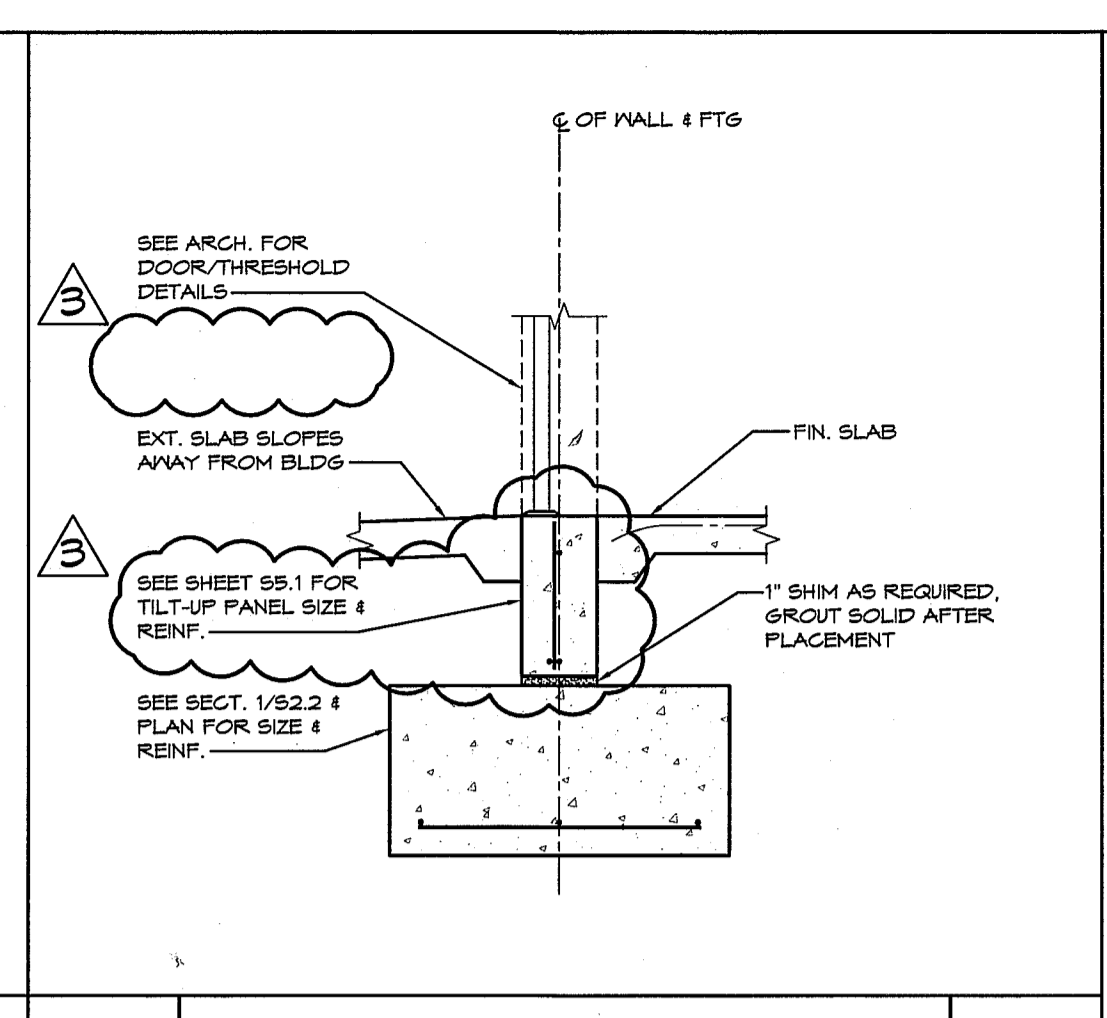
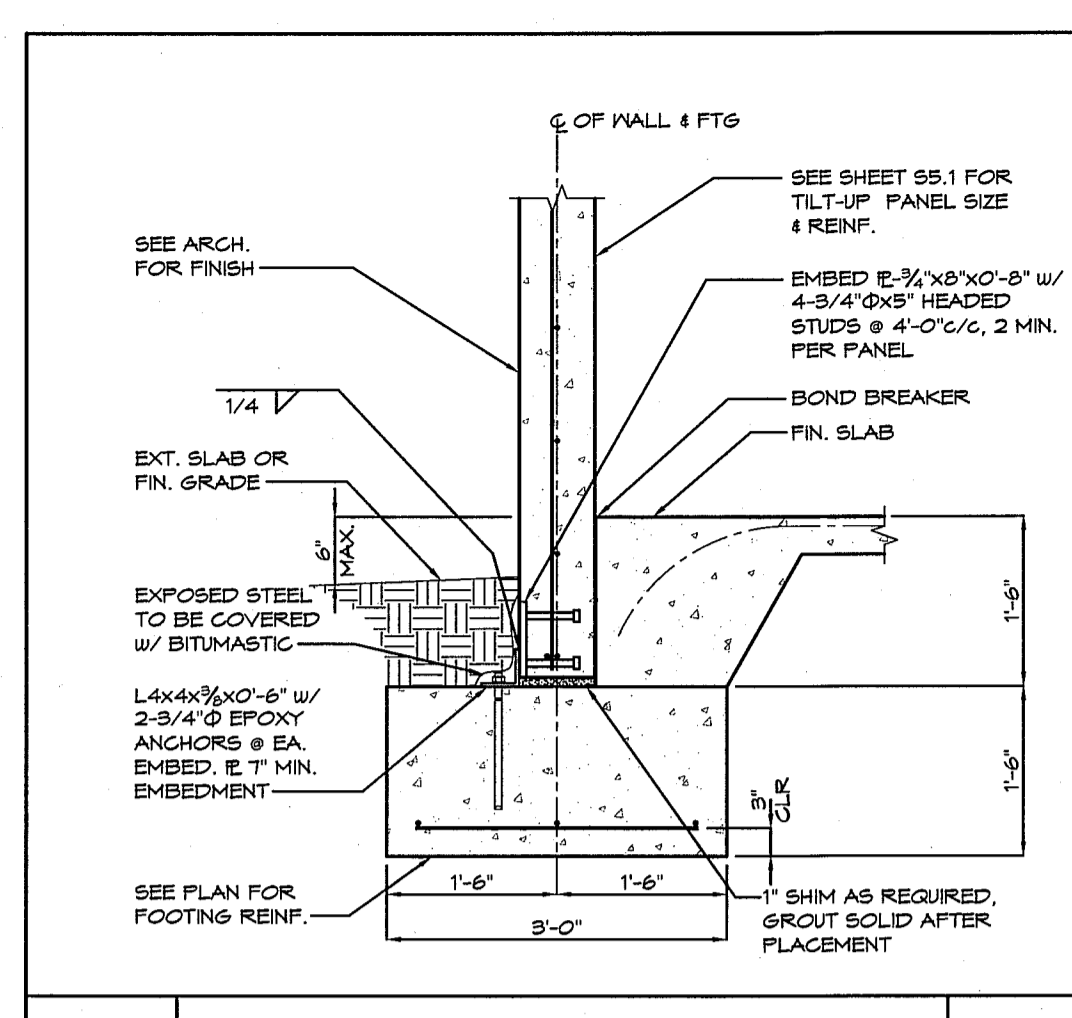
ATHENS MEDICAL PLAZA I
2142 WEST BROAD STREET
ATHENS, GEORGIA

THIS DOCUMENT CONTAINS INFORMATION THAT IS UNCLASSIFIED, EXCEPT WHERE SHOWN OTHERWISE. IT IS THE PROPERTY OF DAVIS STOKES COLLABORATIVE, P.C. AND IS LOANED TO YOU FOR YOUR USE ONLY. IT IS NOT TO BE REPRODUCED OR DISCLOSED TO OTHERS, EITHER IN WHOLE OR IN PART, WITHOUT THE WRITTEN CONSENT OF DAVIS STOKES COLLABORATIVE, P.C. DATE: 05/07/07. ALL RIGHTS RESERVED.

DAVIS STOKES COLLABORATIVE, P.C.
A R C H I T E C T S
 7121 CROSSROADS BLVD. BRENTWOOD, TENNESSEE 37027
 TEL: 615-726-0010 FAX: 615-726-2090
 http://www.dsccol.com EMAIL: dsccol@dsccol.com

REVISION	
NO.	DESCRIPTION
Δ 02/03/11	REVISION #1
Δ 05/06/11	REVISION #3

FOUNDATION SECTIONS & DETAILS
S2.2
 ISSUE DATE: 12.21.10 JOB NUMBER: 08004



7 TYP. GENERATOR ENCLOSURE WALL

8 SECTION @ CANOPY