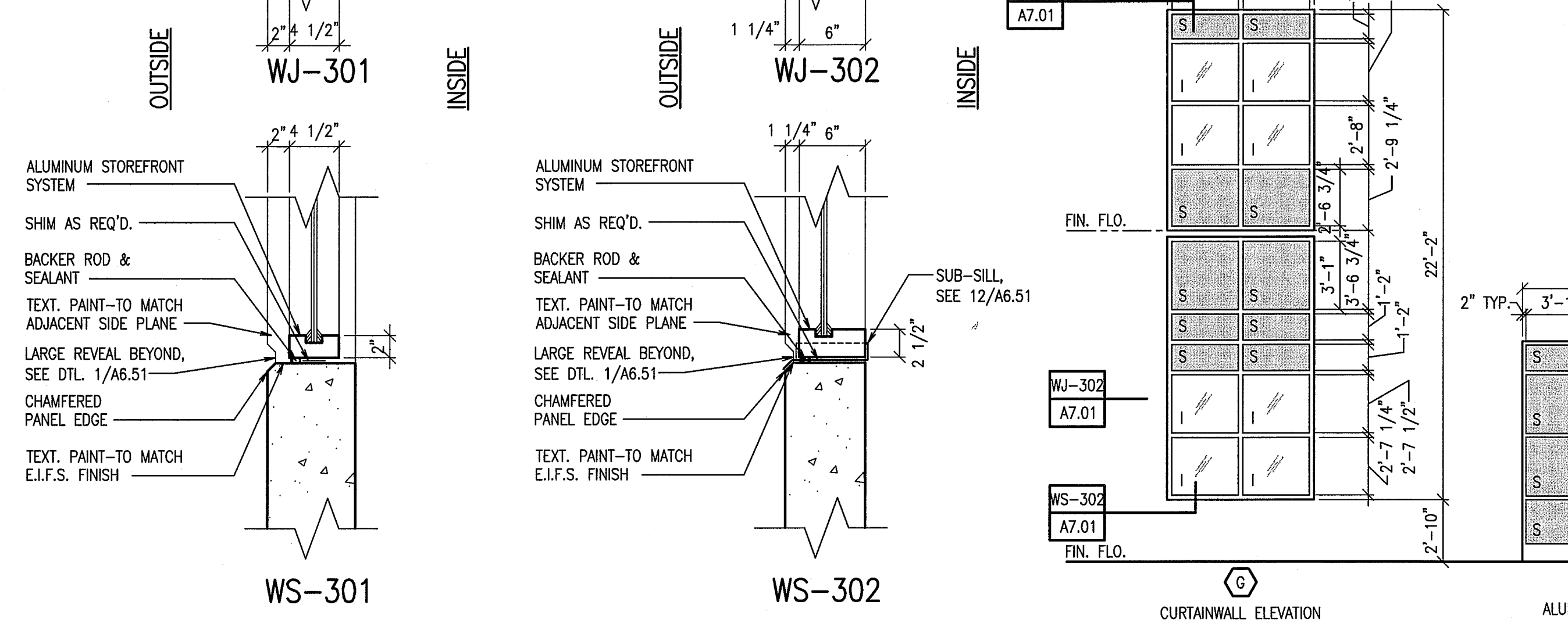
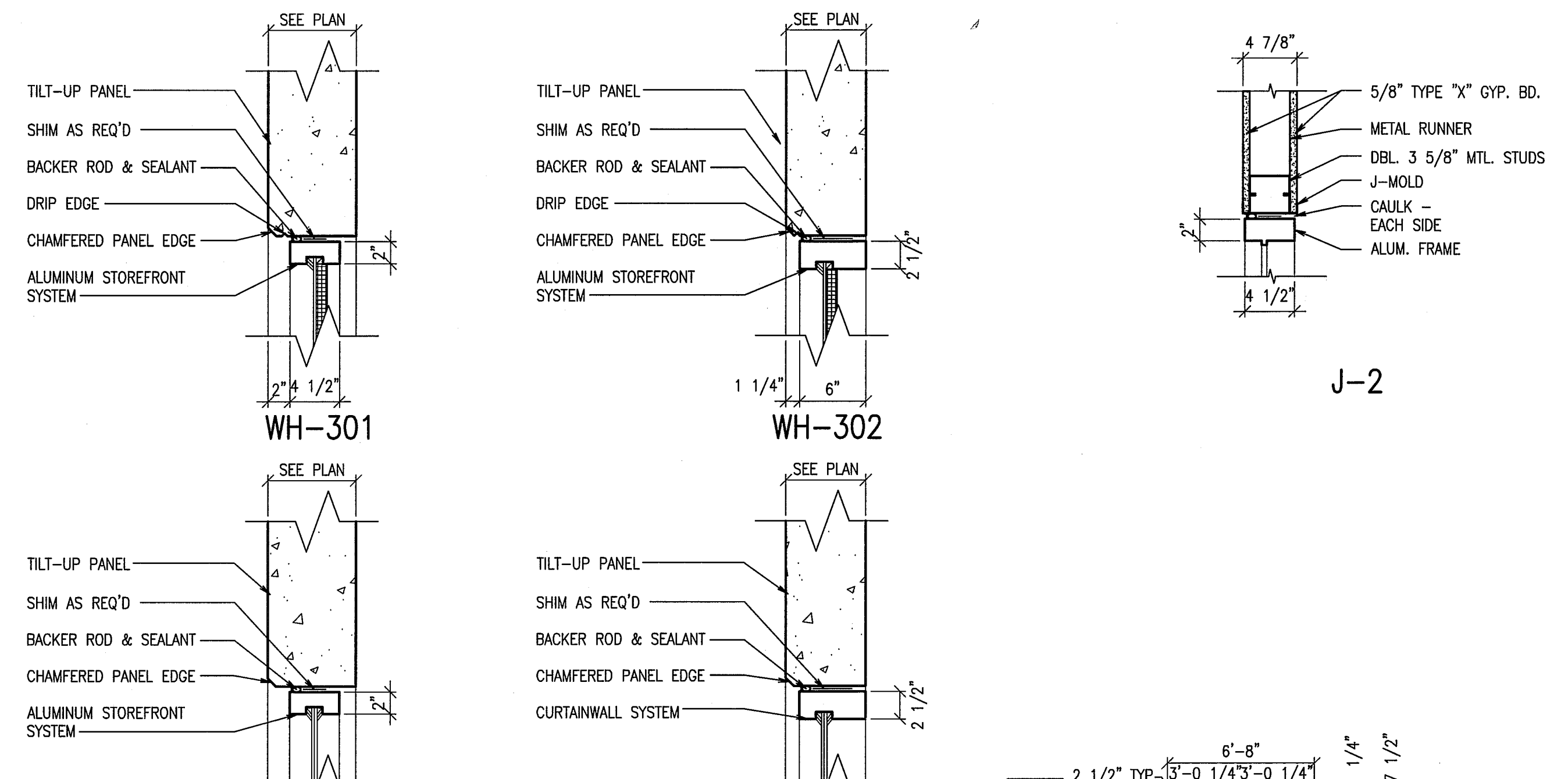
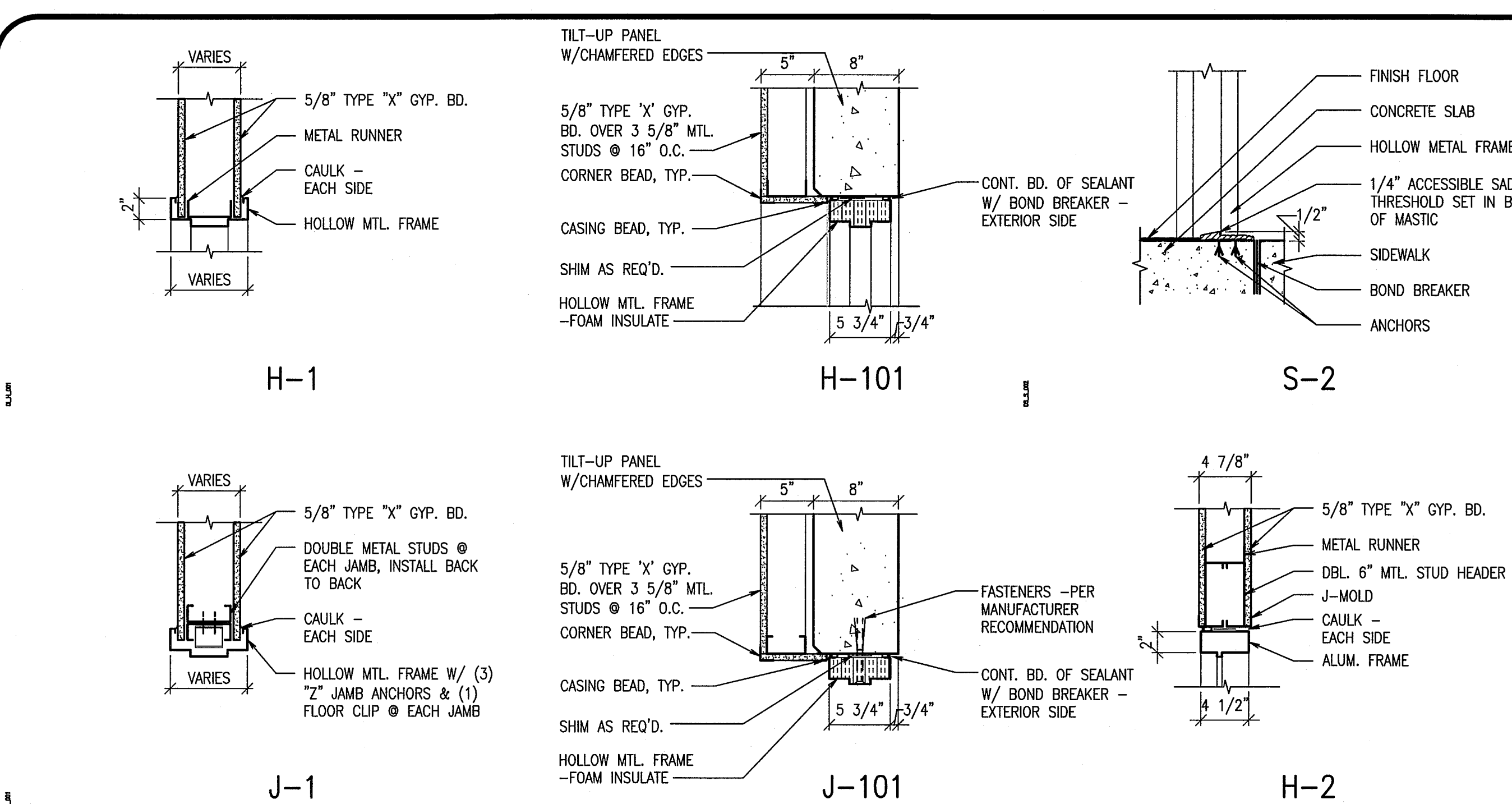
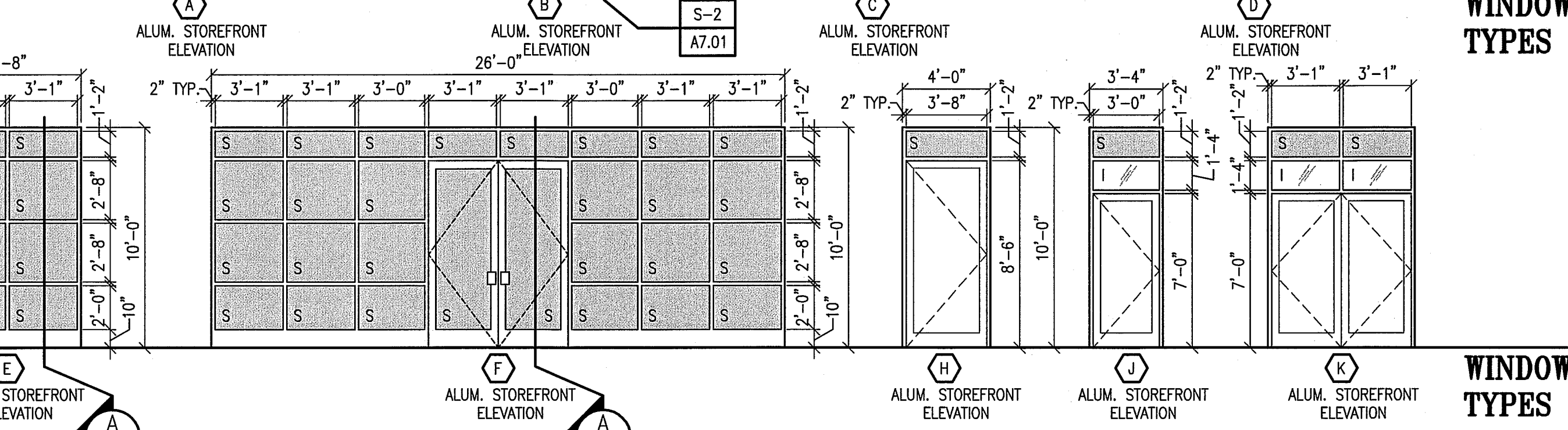
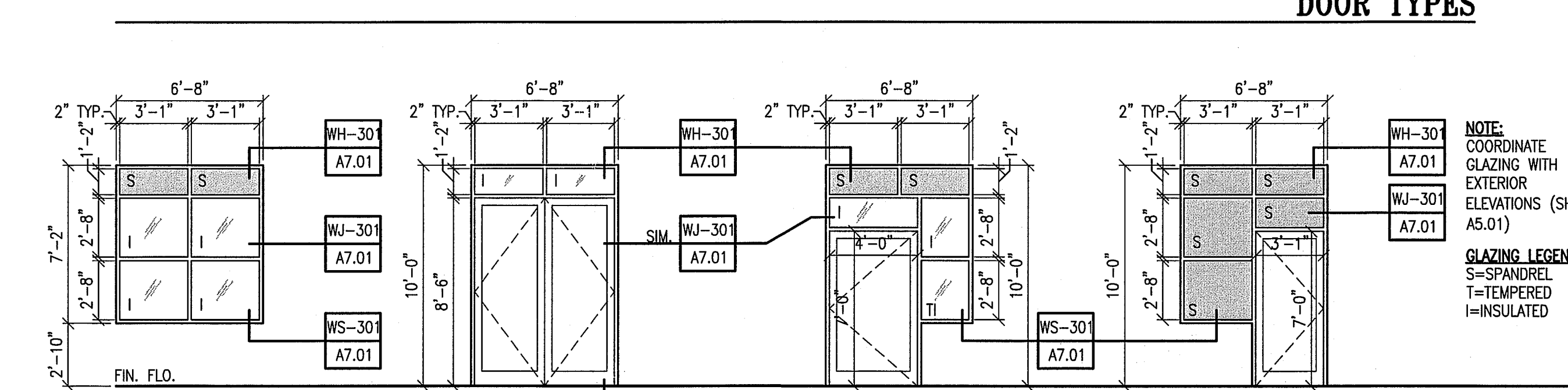
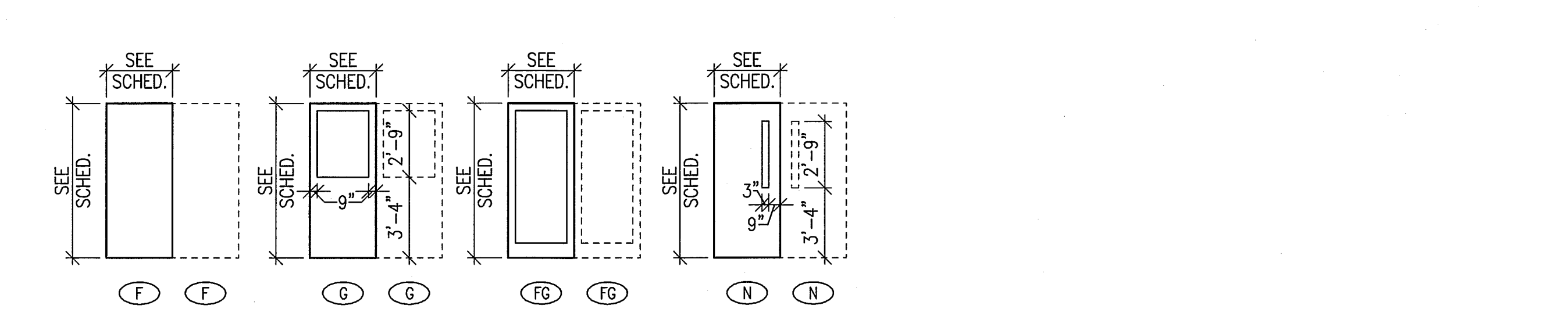
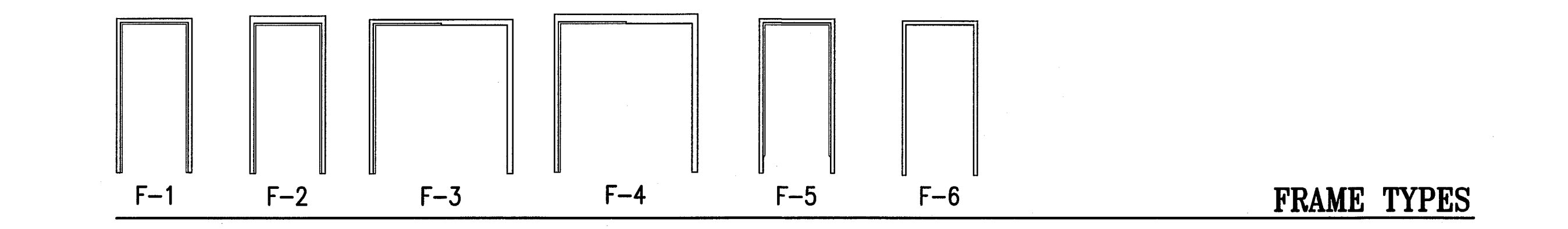


NO.	DATE	DESCRIPTION
1	02/05/11	REVISION 1
2	06/21/11	REVISION 4

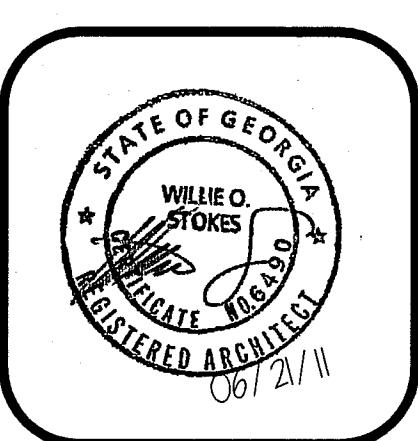


DOOR SCHEDULE

DOOR NUMBER	DOOR			RATING			FRAME		DETAILS			REMARKS
	TYPE	WIDTH	HEIGHT	D LABEL	C LABEL	B LABEL	TYPE	WOOD	HEAD	JAMB	SILL	
001	FG	3'-2"	7'-0"				H	WOOD	A/A6.22/A6.22	S-2		REMOVE AUTO OPERATOR & ASSOCIATED COMPONENTS FROM HARDWARE SET 11
100	FG	3'-2"	7'-0"				H	WOOD	WH-301/WJ-301	S-2		DOOR & FALSE ENTRY
101	FG	3'-2"	7'-0"				H	WOOD	WH-301/WJ-301	S-2		CARD READER
102	FG	3'-0"	7'-0"				H	WOOD	WH-301/WJ-301	S-2		EXIT ONLY
103	FG	3'-0"	7'-0"				H	WOOD	WH-301/WJ-301	S-2		CARD READER
104	N	3'-0"	7'-0"				H	WOOD	H-101/J-101			EXIT ONLY
105	FG	4'-0"	7'-0"				H	WOOD	WH-301/WJ-301	S-2		EXIT ONLY
106	FG	4'-0"	7'-0"				H	WOOD	WH-301/WJ-301	S-2		EXIT ONLY
107	FG	4'-0"	7'-0"				H	WOOD	WH-301/WJ-301	S-2		FUTURE ELEC. ROOM
108	FG	3'-1"	7'-0"				H	WOOD	WH-301/WJ-301	S-2		EXIT ONLY
109	FG	3'-2"	7'-0"				K	WOOD	WH-301/WJ-301	S-2		FUTURE MECH. ROOM
110	FG	3'-1"	7'-0"				D	WOOD	WH-301/WJ-301	S-2		FUTURE MECH. ROOM
111	FG	3'-0"	7'-0"				D	WOOD	WH-301/WJ-301	S-2		FUTURE MECH. ROOM
201	N	3'-0"	7'-0"				F-1	WOOD	H-101/J-101			
202	F	3'-0"	7'-0"				F-1	WOOD	H-1/J-1			
209	N	3'-0"	7'-0"				F-1	WOOD	H-101/J-101			
210	F	3'-0"	7'-0"				F-1	WOOD	H-1/J-1			



- GENERAL NOTES:**
- 1.) ALL DOOR NUMBERS ON SCHEDULE MAY NOT HAVE BEEN USED.
 - 2.) FRAME TYPES AND DOOR TYPE ELEVATIONS ARE FOR REFERENCE ONLY. ALL TYPES MAY NOT BE USED. REFER TO DOOR SCHEDULE.
 - 3.) ALL DOORS 1 3/4" THICK UNLESS OTHERWISE NOTED.
 - 4.) ALL HOLLOW METAL FRAMES TO BE CONT. WELDED AND GROUND.



ATHENS MEDICAL PLAZA I
 2142 WEST BROAD STREET
 ATHENS, GEORGIA

THIS DOCUMENT CONTAINS INFORMATION THAT IS PROPRIETARY TO DAVIS, STOKES COLLABORATIVE P.C. AND/OR ITS CONSULTANTS. IT IS TO BE USED ONLY FOR THE PROJECT AND SITE SPECIFICALLY IDENTIFIED HEREIN. IT IS NOT TO BE REPRODUCED, COPIED, OR TRANSMITTED IN ANY FORM OR BY ANY MEANS, ELECTRONIC OR MECHANICAL, INCLUDING PHOTOCOPYING, RECORDING, OR BY ANY INFORMATION STORAGE AND RETRIEVAL SYSTEM, WITHOUT THE WRITTEN PERMISSION OF DAVIS, STOKES COLLABORATIVE P.C. © 2007. ALL RIGHTS RESERVED.

DAVIS · STOKES COLLABORATIVE, P.C.
 A · R · C · H · I · T · E · C · T · S
 7121 CROSSROADS BLVD. BRENTWOOD, TENNESSEE 37027 TEL: 615-726-0010
 EMAIL: dsccol@aescoll.com FAX: 615-726-2090
 http://www.dsccol.com

REVISION	
NO.	DESCRIPTION
1	REVISION 1
4	REVISION 4

A7.01
 ISSUE DATE: 12.21.10 JOB NUMBER: 08004