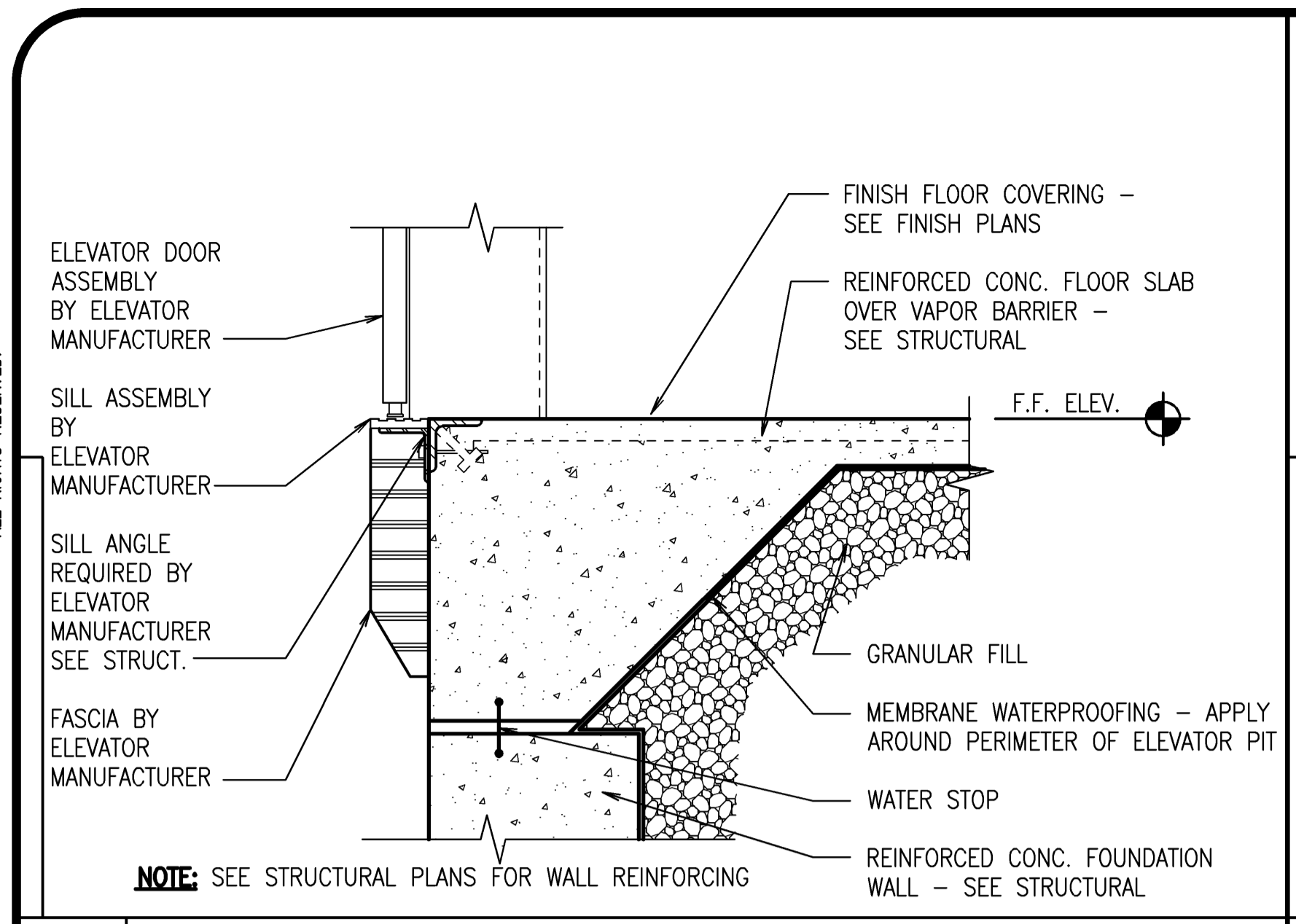
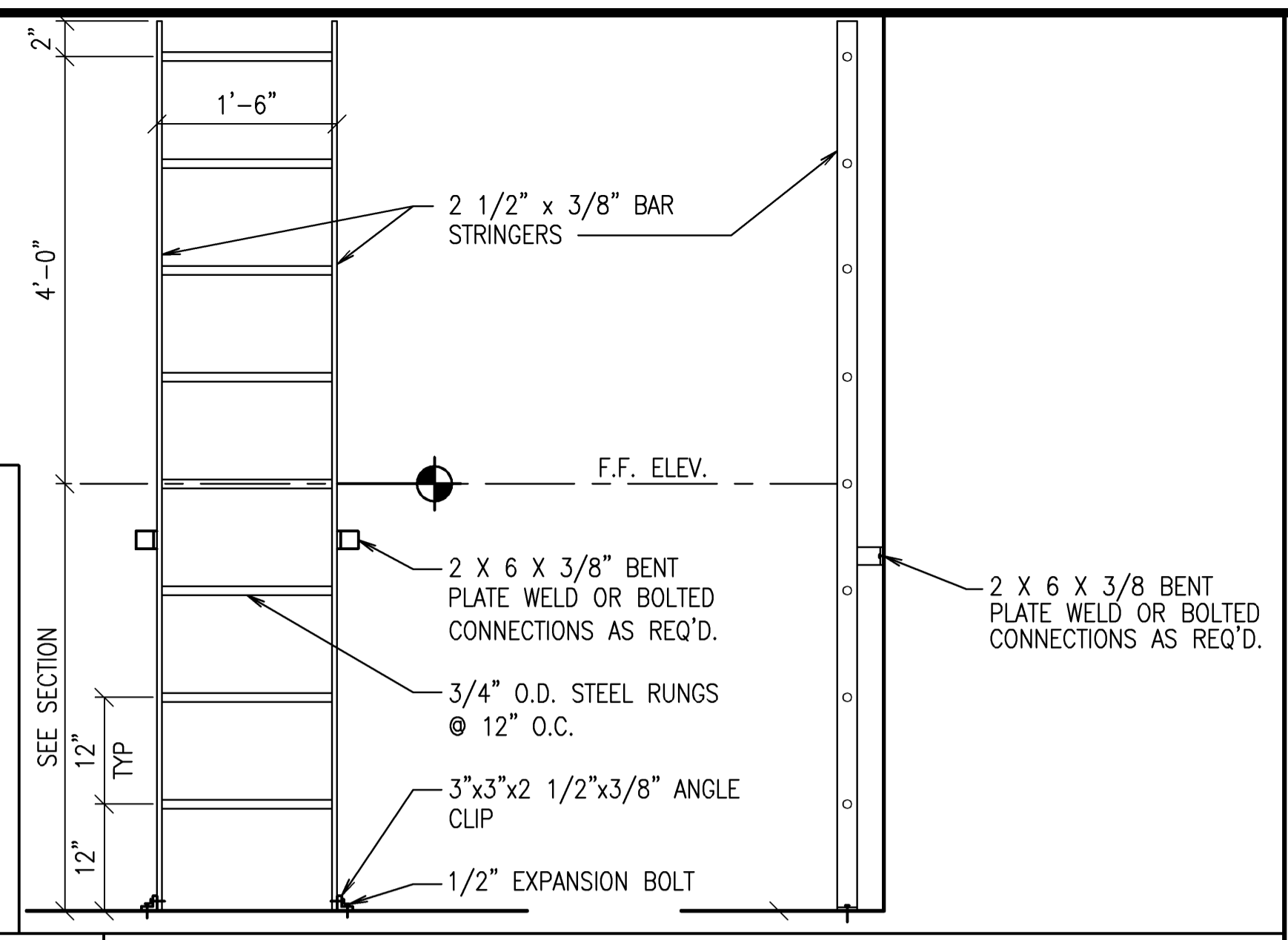


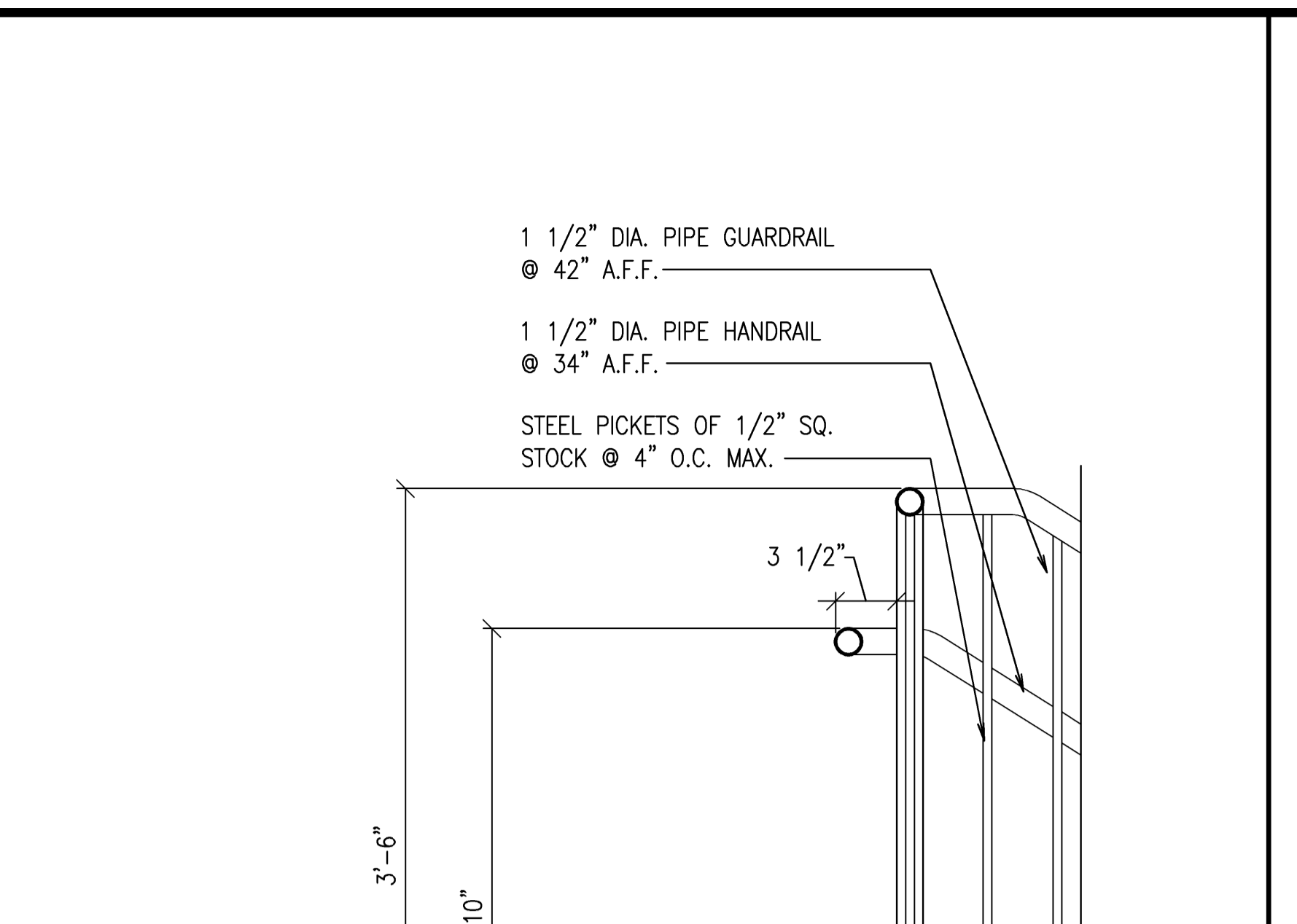
© COPYRIGHT 2007, DAVIS, STOKES COLLABORATIVE, P.C. ALL RIGHTS RESERVED.



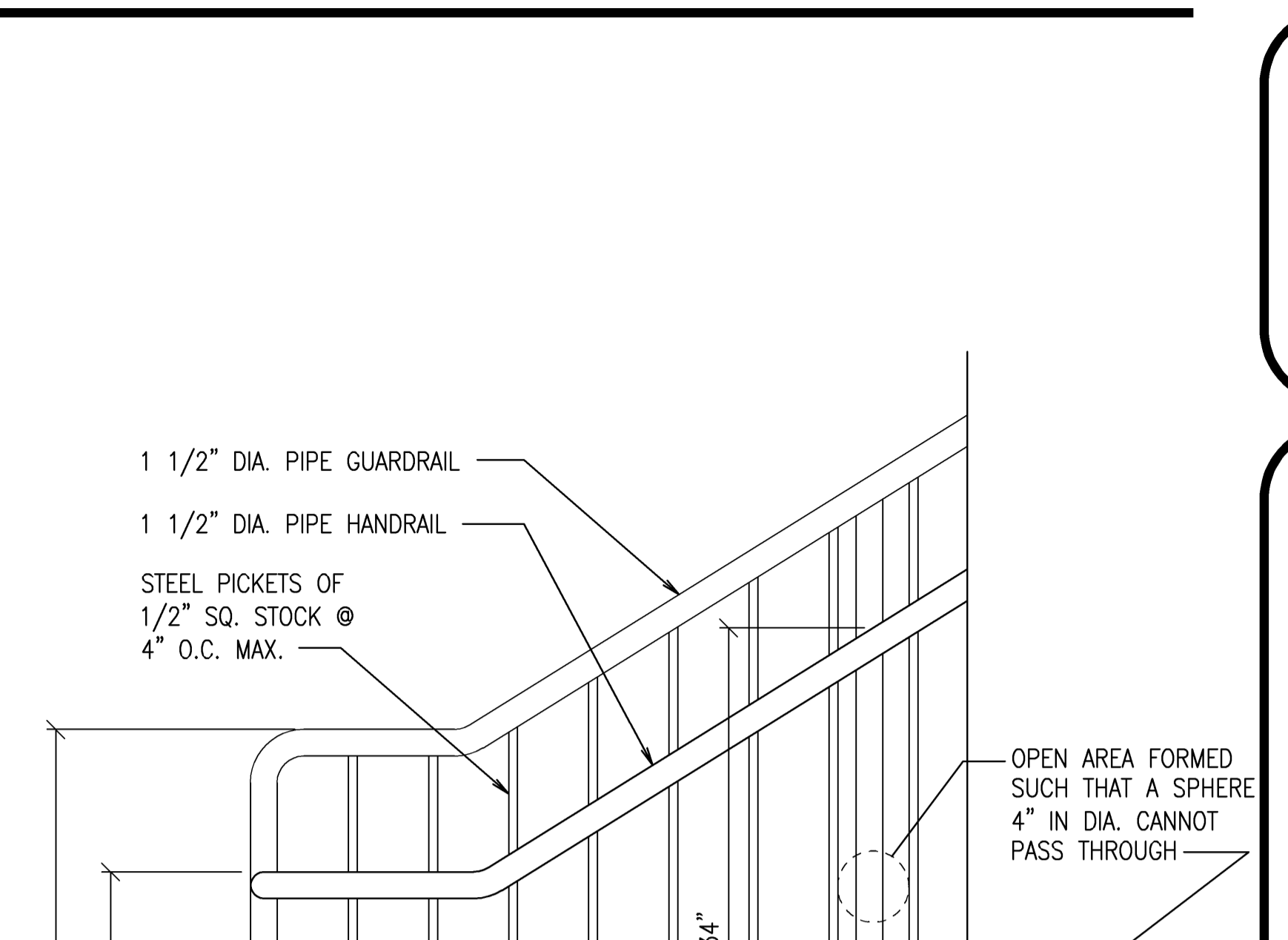
**13 TYPICAL ELEVATOR SILL @ PIT**



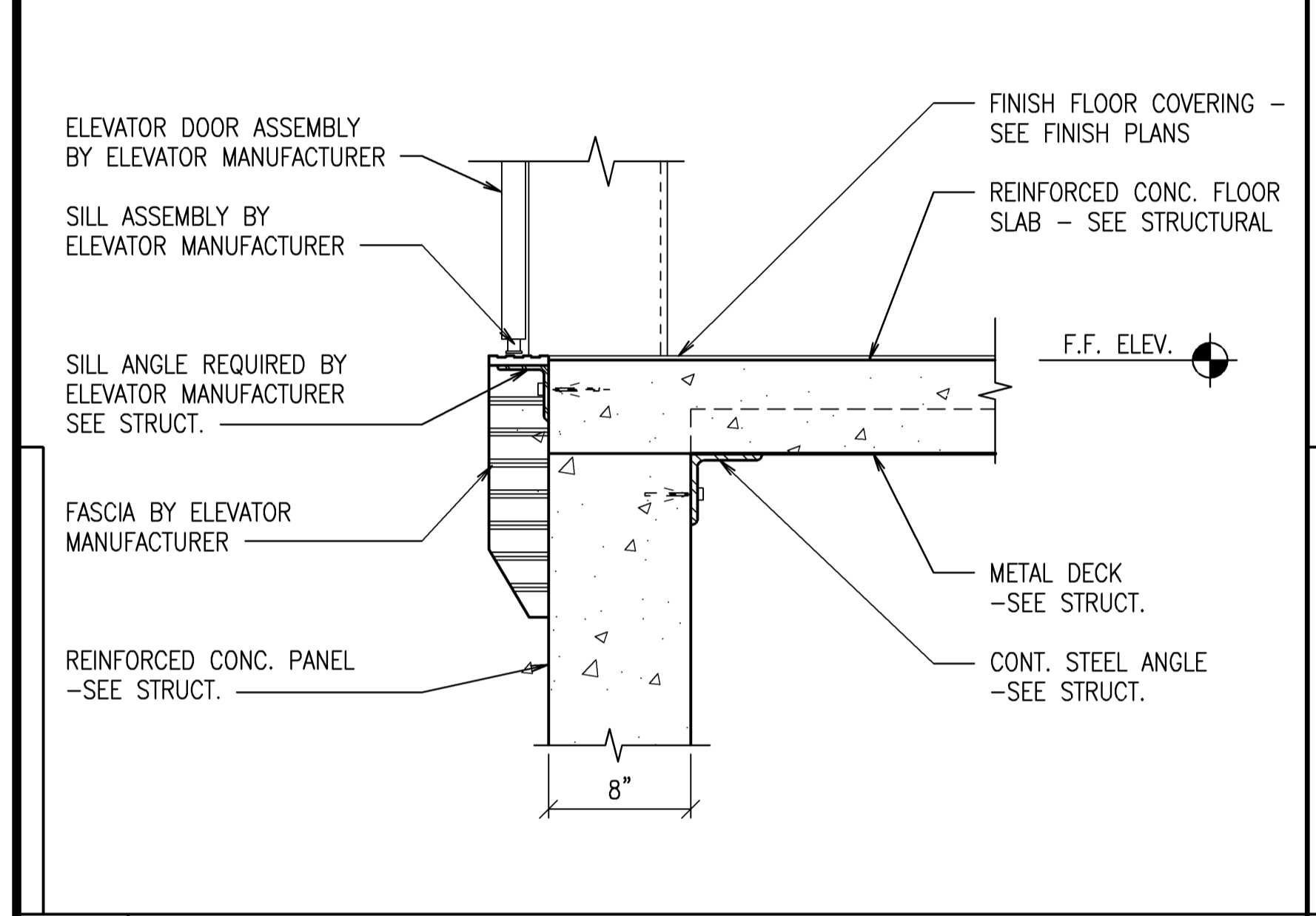
**9 PIT LADDER**



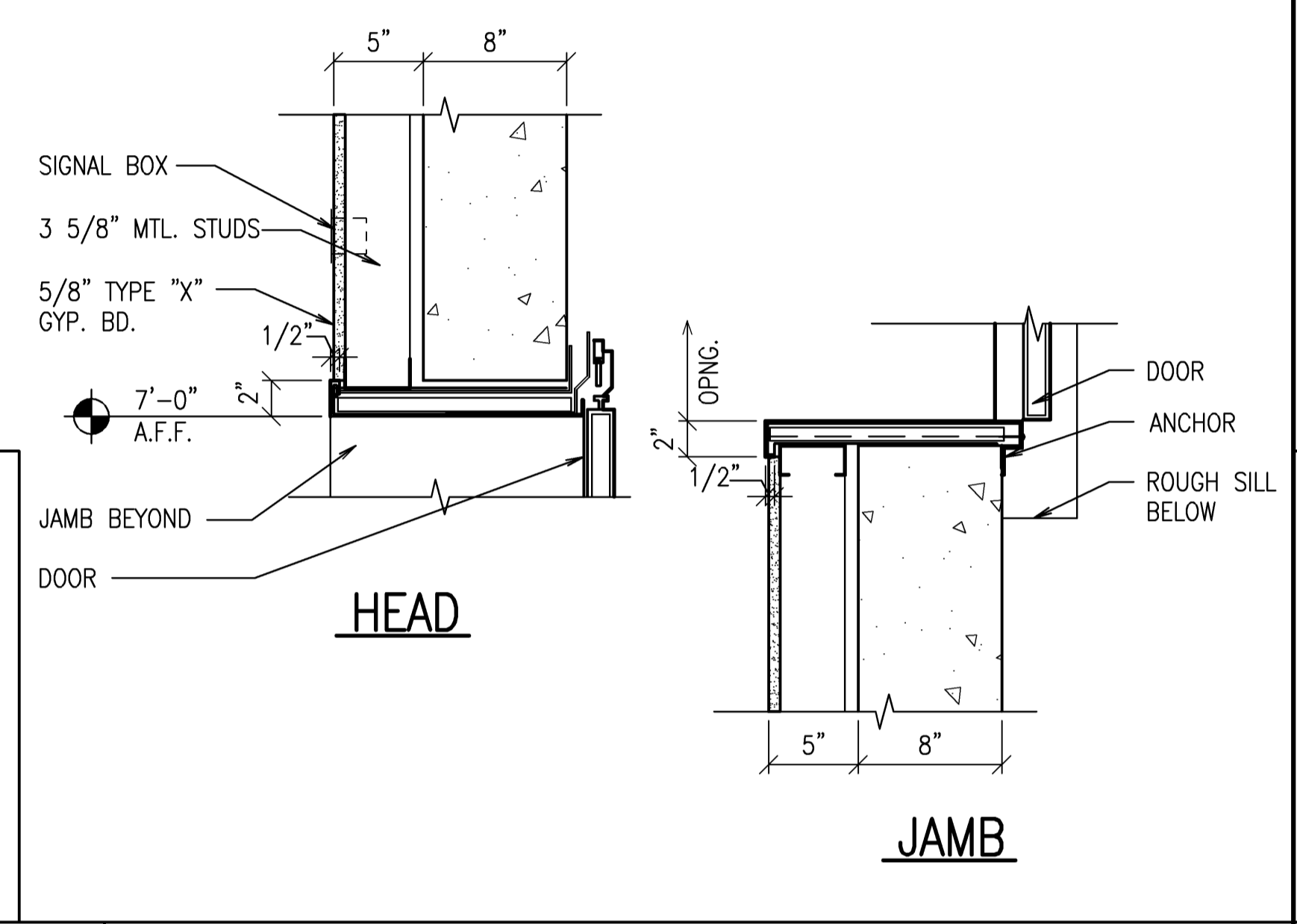
**5 TOP FLOOR LANDING**



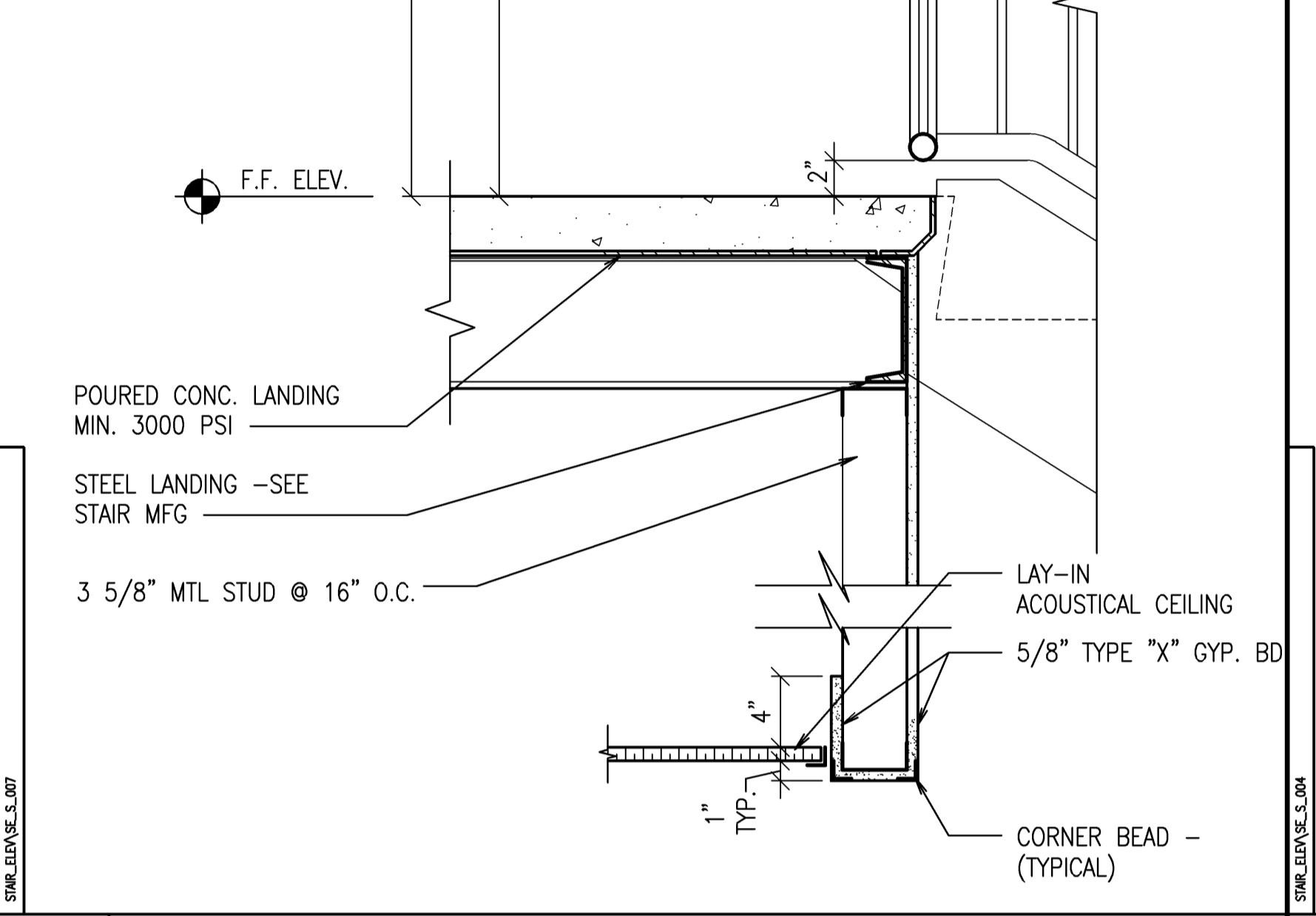
**3 HANDRAIL EXTENSION @ GUARDRAIL**



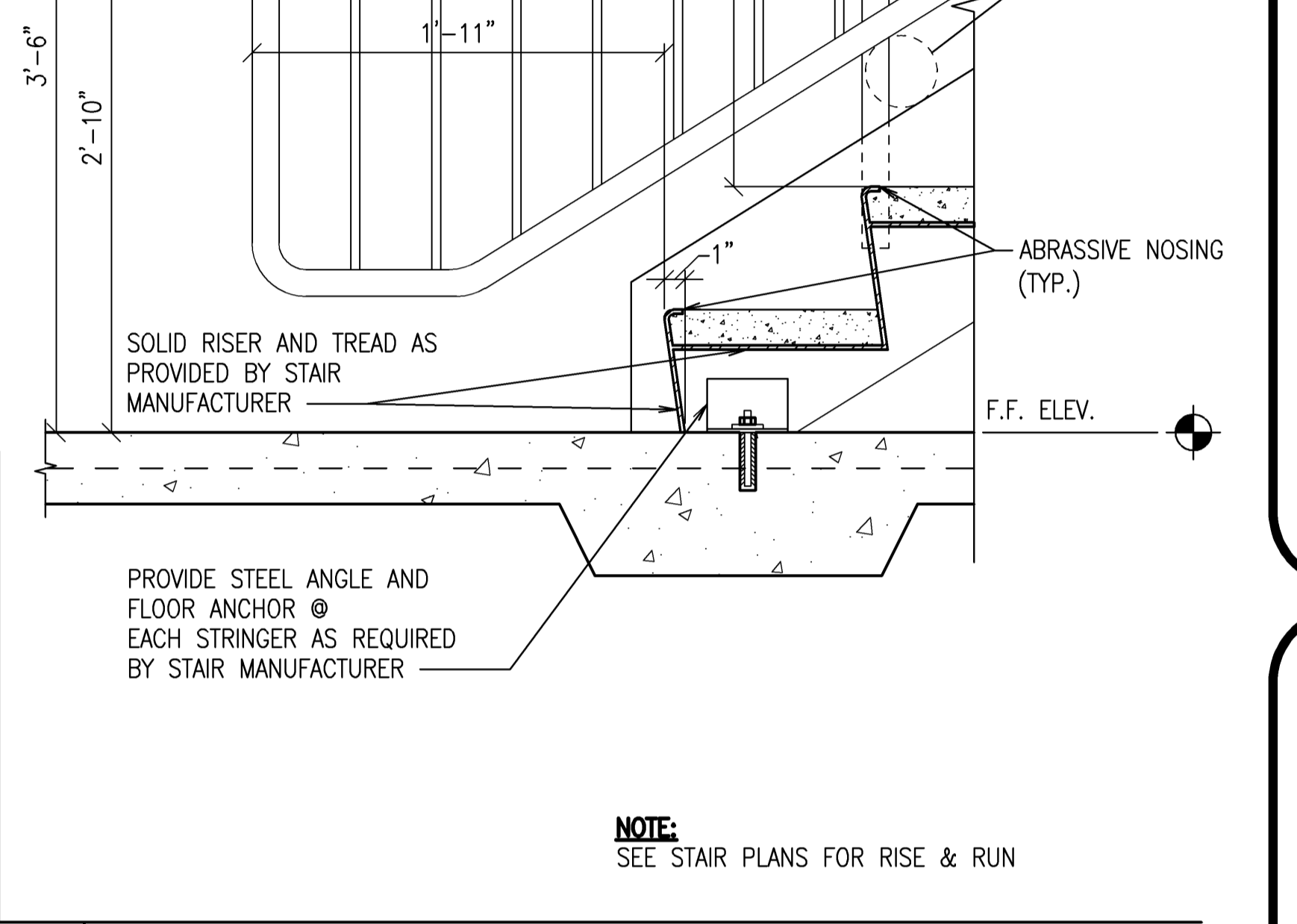
**12 ELEVATOR SILL @ INTERMEDIATE FLOOR**



**8 ELEVATOR HEAD & JAMB**

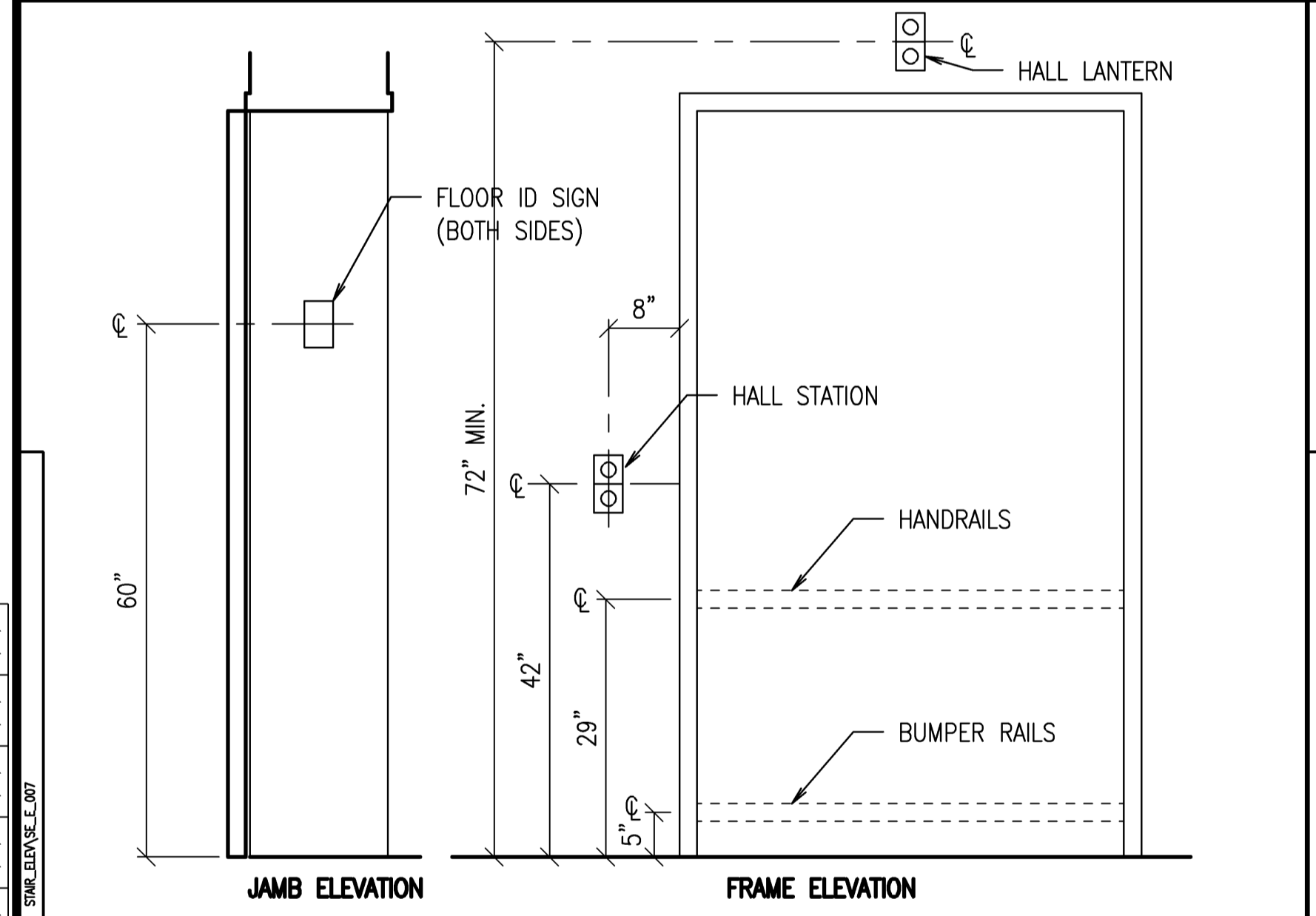


**5 TOP FLOOR LANDING**

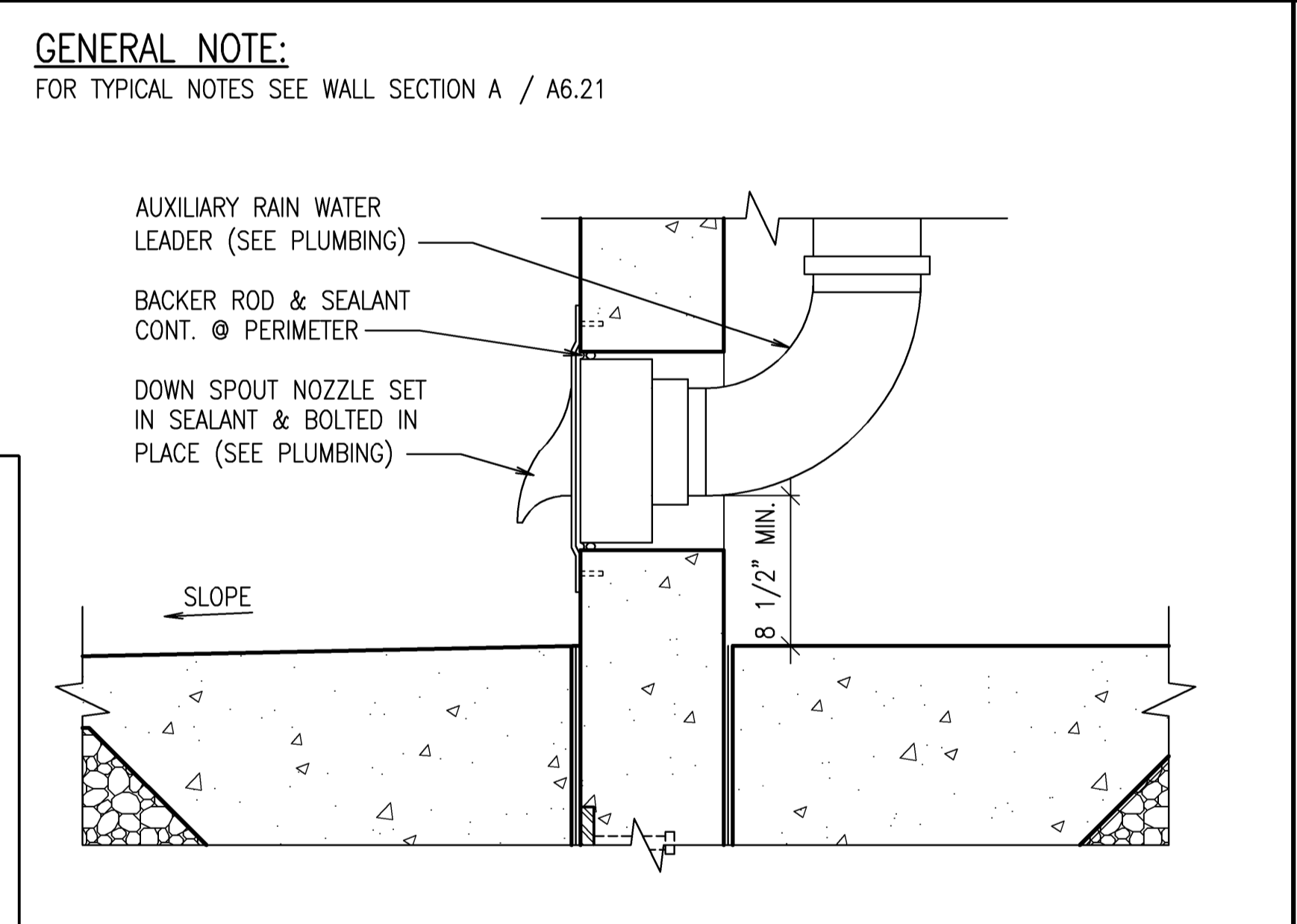


**3 HANDRAIL EXTENSION @ GUARDRAIL**

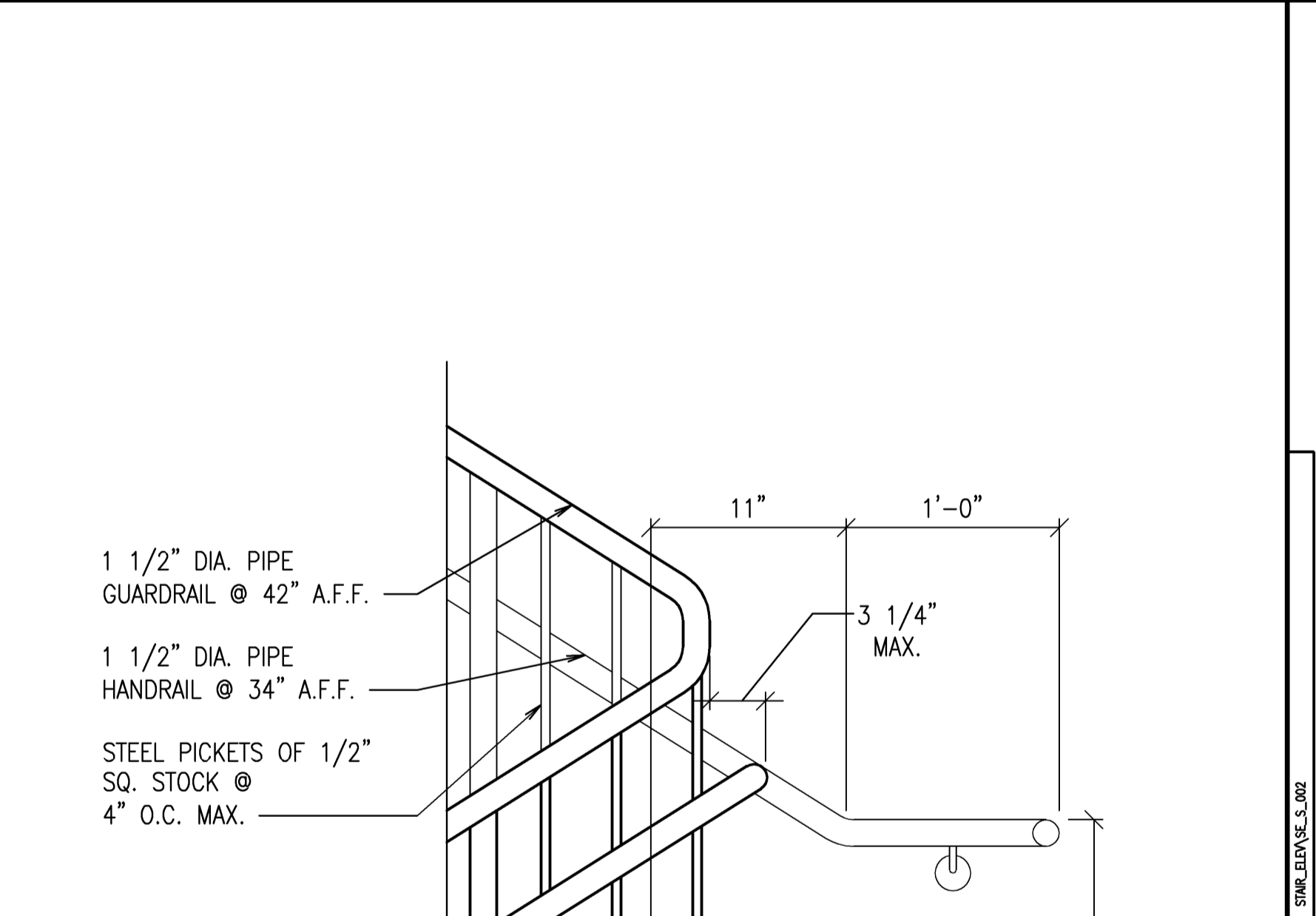
11/5/2010 9:51 AM  
 5/23/2008 11:03 AM  
 08604\_A251.dwg  
 1:8  
 DAVIS, STOKES COLLABORATIVE, P.C.  
 7121 CROSSROADS BLVD. BRENTWOOD, TENNESSEE 37027  
 TEL: 615-726-0010  
 FAX: 615-726-2090  
 http://www.dsccol.com  
 EMAIL: dsccol@dsccol.com



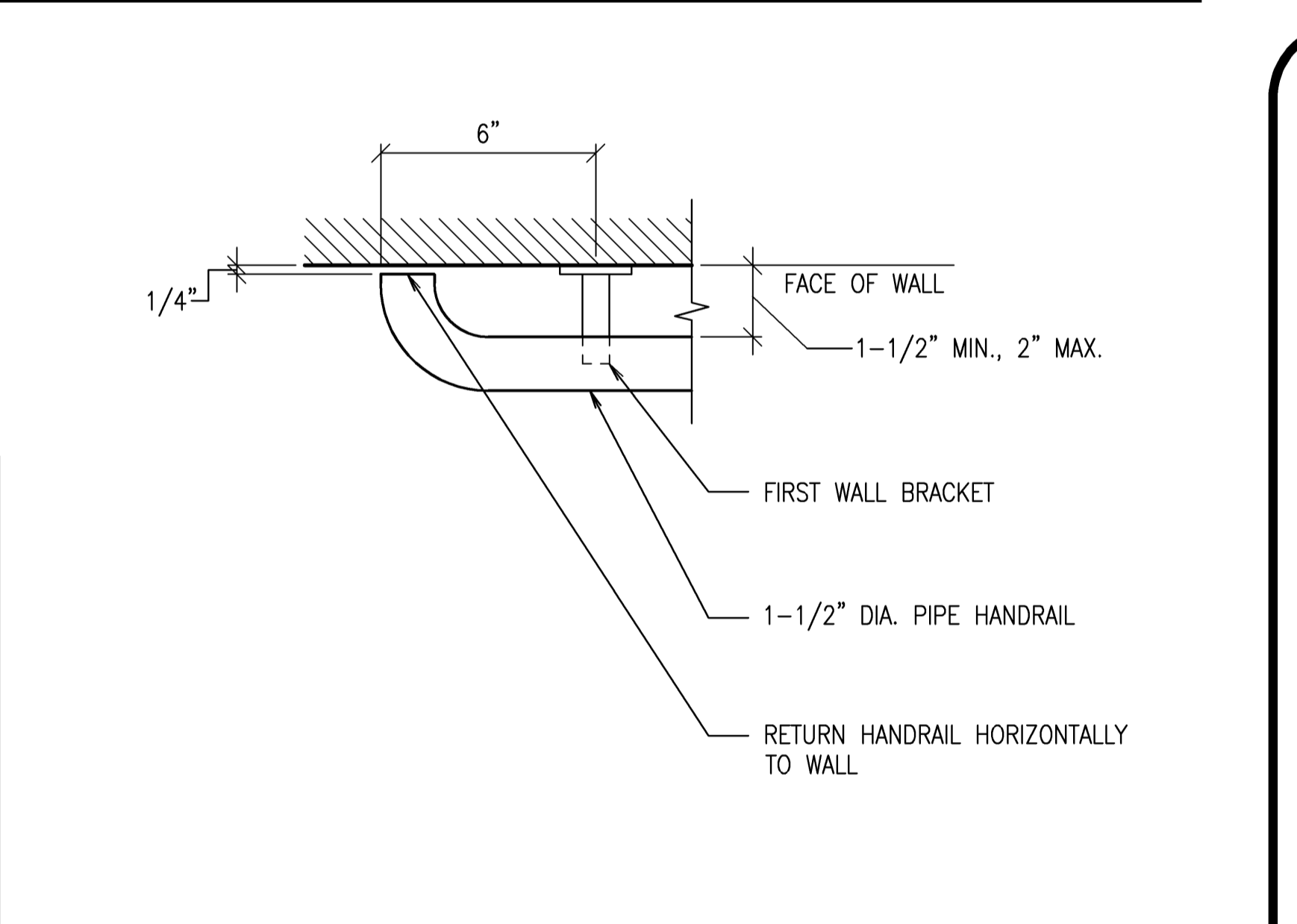
**11 ELEVATOR JAMB & FRAME ELEVATION**



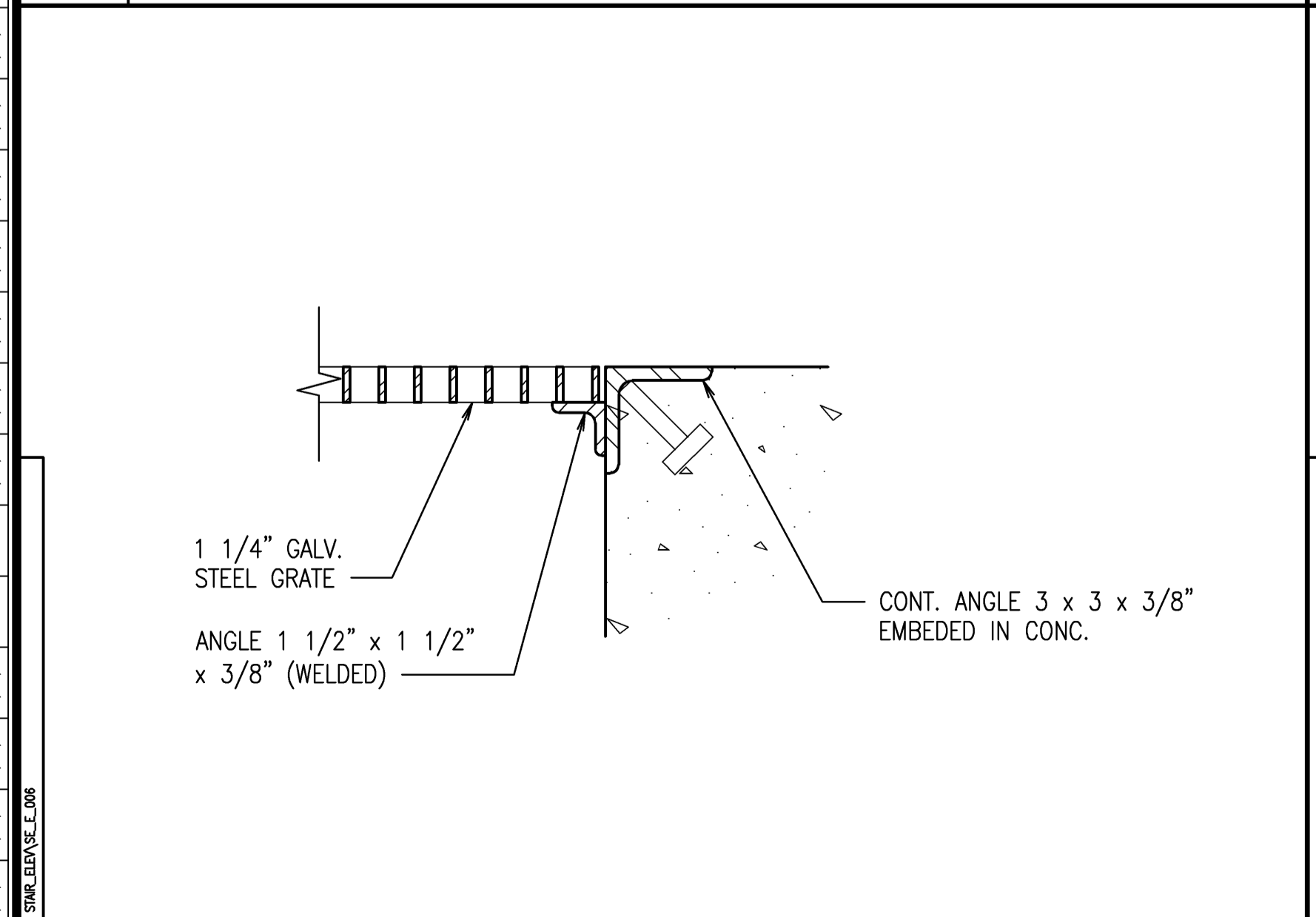
**7 AUXILIARY ROOF DRAIN TERMINUS**



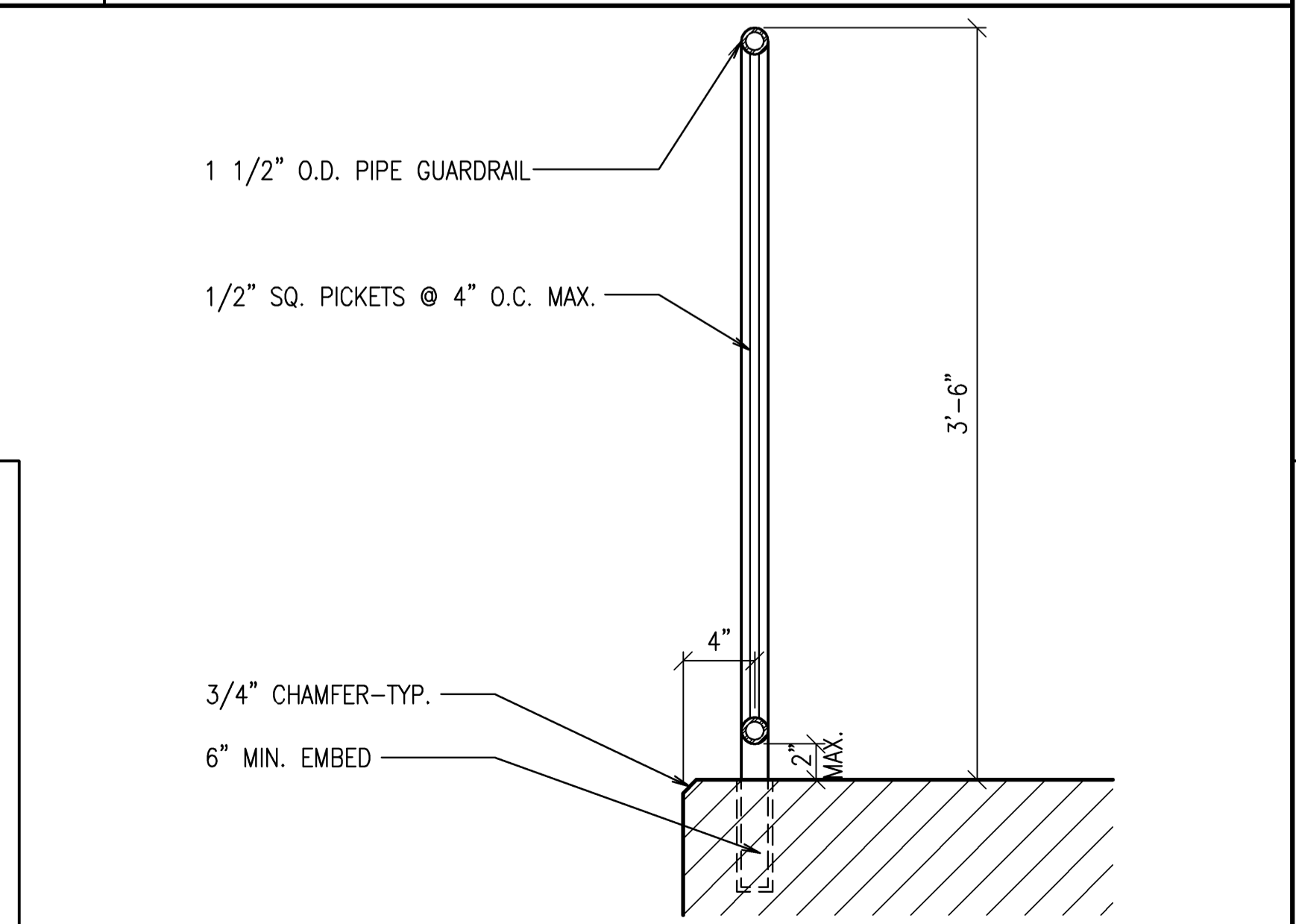
**5 TOP FLOOR LANDING**



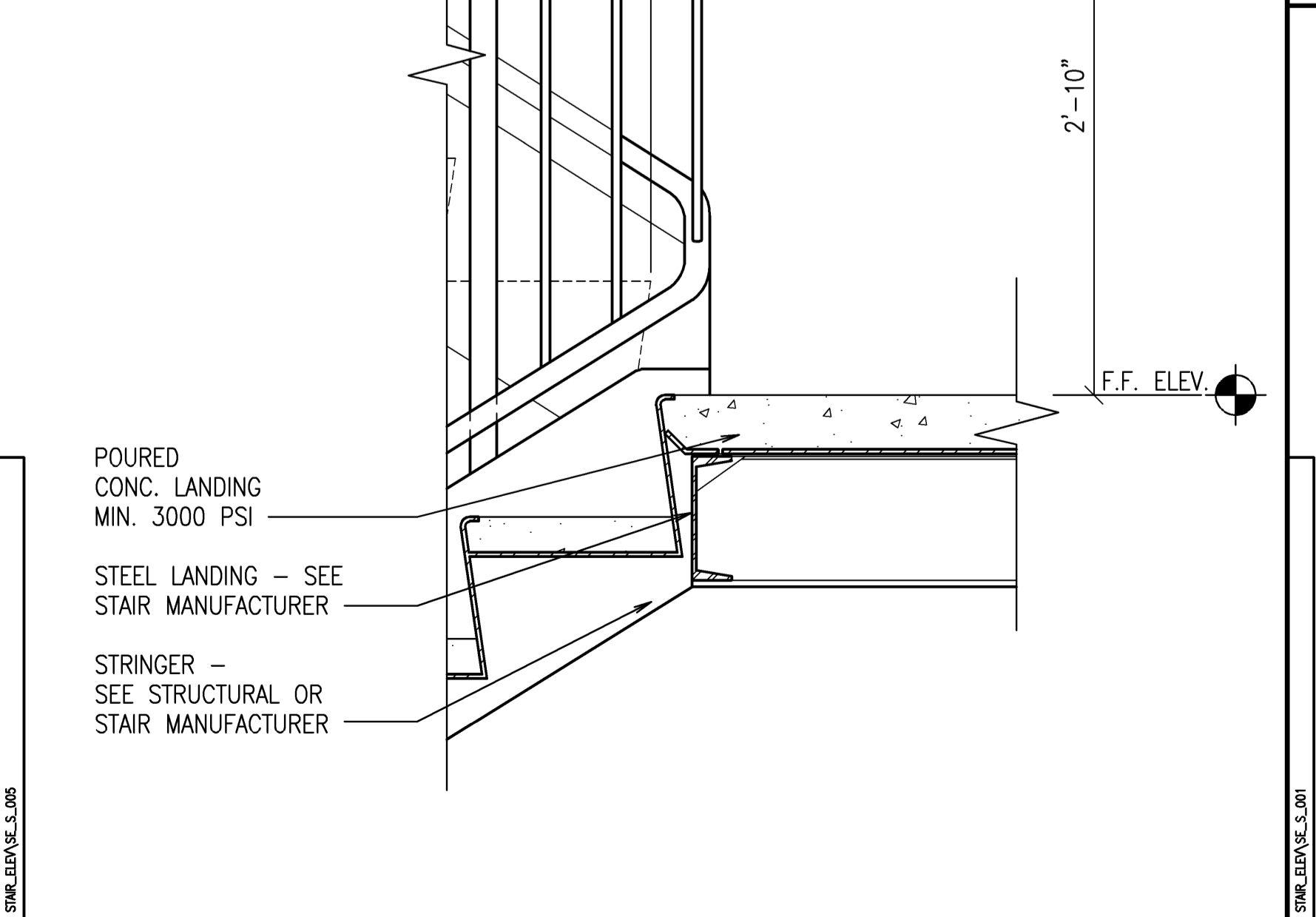
**2 HANDRAIL TERMINATION**



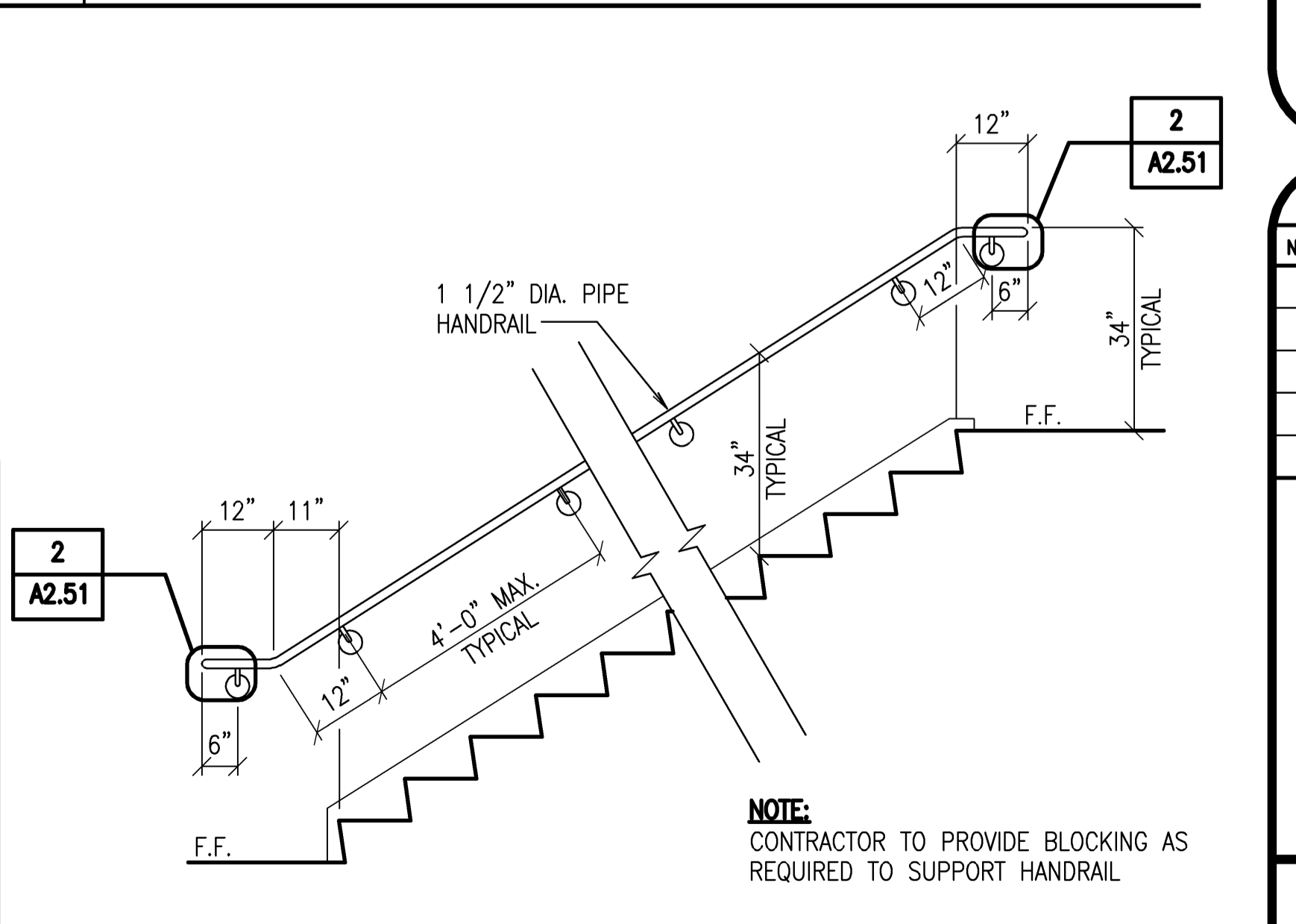
**10 SUMP PIT COVER**



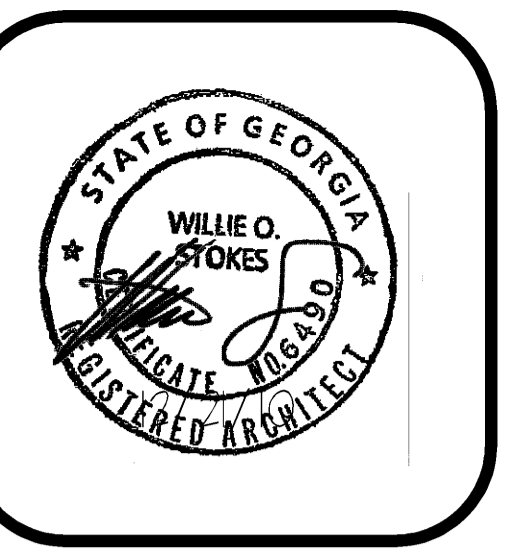
**6 GUARDRAIL DETAIL**



**4 STAIRS @ LANDING**



**1 WALL MOUNTED HANDRAIL**



**ATHENS MEDICAL PLAZA I**  
**2142 WEST BROAD STREET**  
**ATHENS, GEORGIA**

THIS DRAWING CONTAINS INFORMATION THAT IS PROPRIETARY TO DAVIS, STOKES COLLABORATIVE, P.C. THIS INFORMATION IS NOT TO BE REPRODUCED OR DISCLOSED IN ANY MANNER WITHOUT THE WRITTEN CONSENT OF DAVIS, STOKES COLLABORATIVE, P.C. © COPYRIGHT 2007, ALL RIGHTS RESERVED.

**DAVIS · STOKES**  
**COLLABORATIVE, P.C.**  
 A · R · C · C · H · I · T · E · C · T · S  
 7121 CROSSROADS BLVD. BRENTWOOD, TENNESSEE 37027  
 TEL: 615-726-0010  
 FAX: 615-726-2090  
 http://www.dsccol.com  
 EMAIL: dsccol@dsccol.com

REVISION		
NO.	DATE	DESCRIPTION

**A2.51**

ISSUE DATE:	J2.21.10	JOB NUMBER:	08004
-------------	----------	-------------	-------