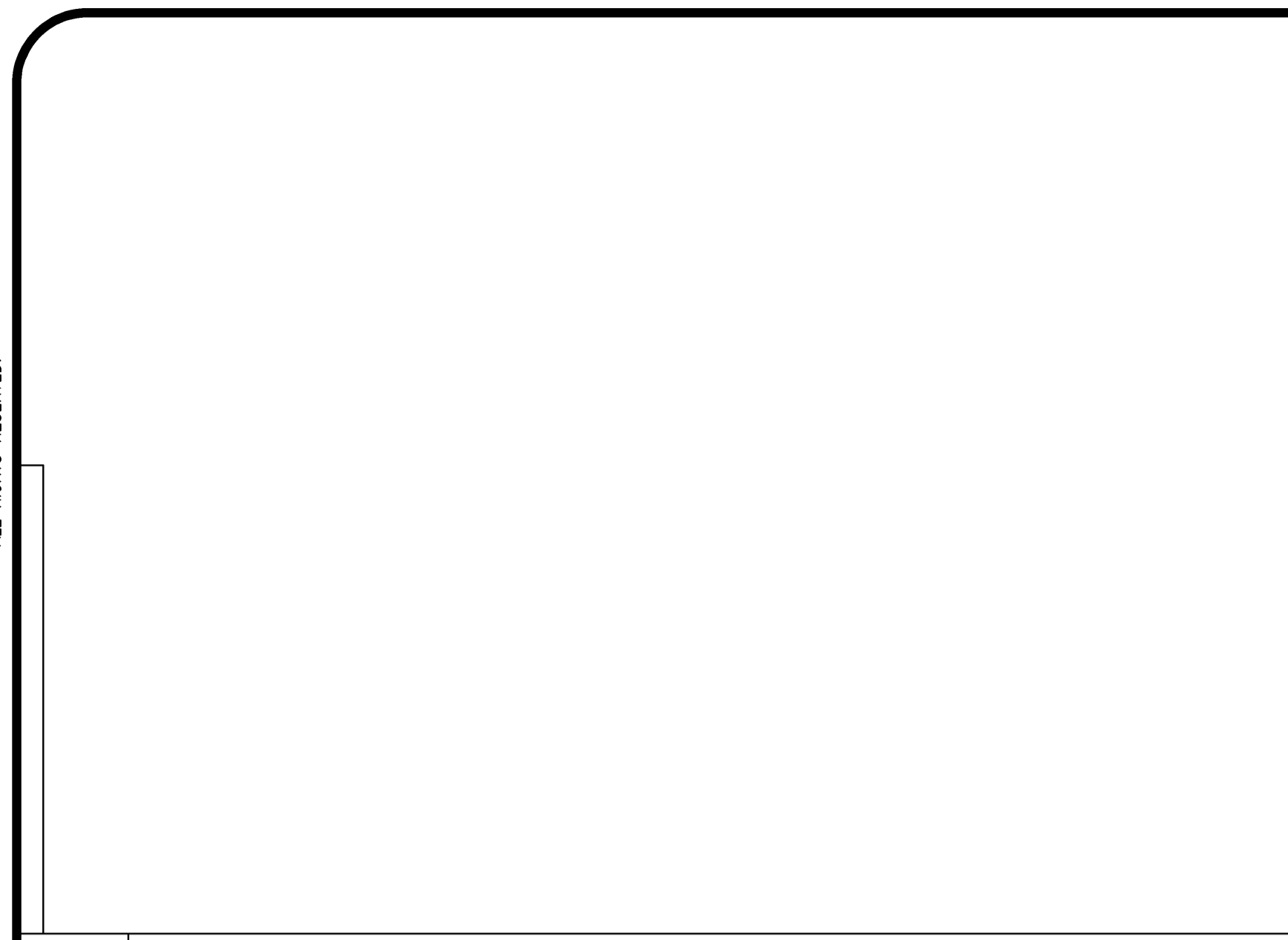


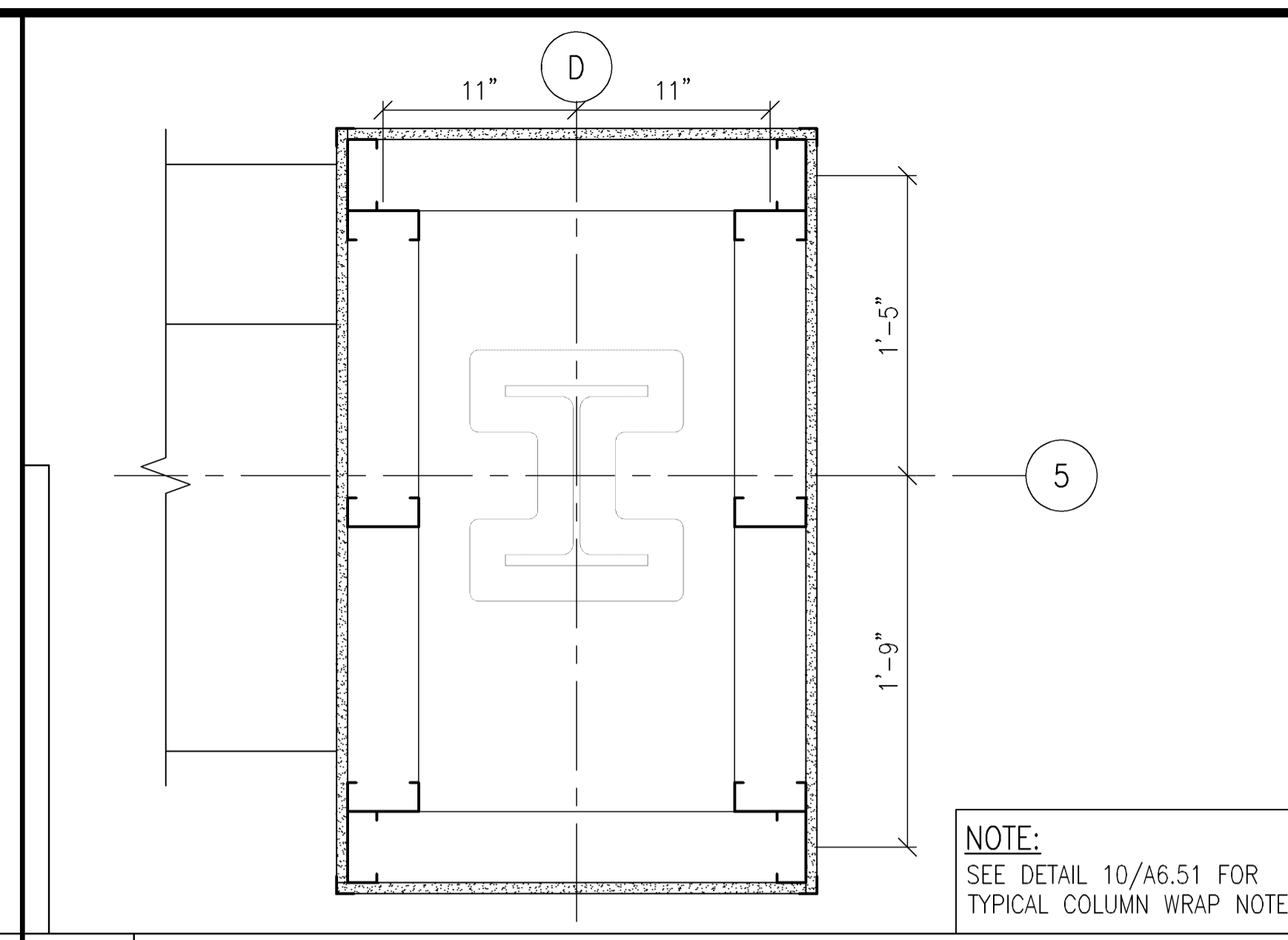
© COPYRIGHT 2011, DAVIS, STOKES COLLABORATIVE P.C. ALL RIGHTS RESERVED.

DRAWING CREATED: 12/21/2010 1:19 PM
 DRAWING UPDATE: 5/26/2008 11:03 AM
 FILE NAME: 1006_A651.dwg
 SCALE FACTOR: 1:8

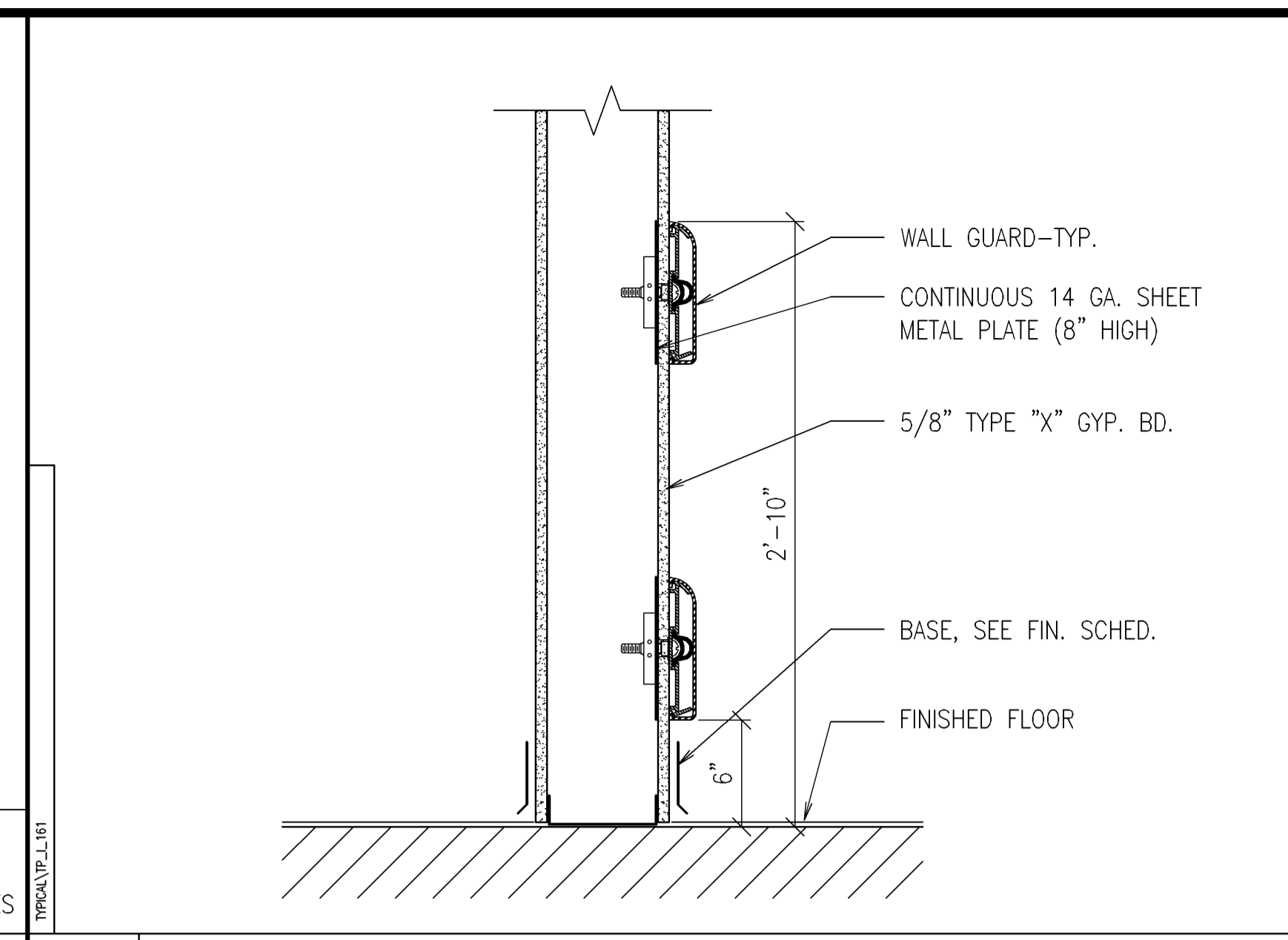
K-001	K-002	K-003	K-004	K-005	K-006	K-007	K-008	K-009	K-010	K-011	K-012	K-013	K-014	K-015	K-016	K-017	K-018	K-019	K-020	K-021	K-022	K-023	K-024	K-025	K-026	K-027	K-028	K-029	K-030	K-031	K-032	K-033	K-034	K-035	K-036	K-037	K-038	K-039	K-040	K-041	K-042	K-043	K-044	K-045	K-046	K-047	K-048	K-049	K-050	K-051	K-052	K-053	K-054	K-055	K-056	K-057	K-058	K-059	K-060	K-061	K-062	K-063	K-064	K-065	K-066	K-067	K-068	K-069	K-070	K-071	K-072	K-073	K-074	K-075	K-076	K-077	K-078	K-079	K-080	K-081	K-082	K-083	K-084	K-085	K-086	K-087	K-088	K-089	K-090	K-091	K-092	K-093	K-094	K-095	K-096	K-097	K-098	K-099	K-100
-------	-------	-------	-------	-------	-------	-------	-------	-------	-------	-------	-------	-------	-------	-------	-------	-------	-------	-------	-------	-------	-------	-------	-------	-------	-------	-------	-------	-------	-------	-------	-------	-------	-------	-------	-------	-------	-------	-------	-------	-------	-------	-------	-------	-------	-------	-------	-------	-------	-------	-------	-------	-------	-------	-------	-------	-------	-------	-------	-------	-------	-------	-------	-------	-------	-------	-------	-------	-------	-------	-------	-------	-------	-------	-------	-------	-------	-------	-------	-------	-------	-------	-------	-------	-------	-------	-------	-------	-------	-------	-------	-------	-------	-------	-------	-------	-------	-------	-------	-------



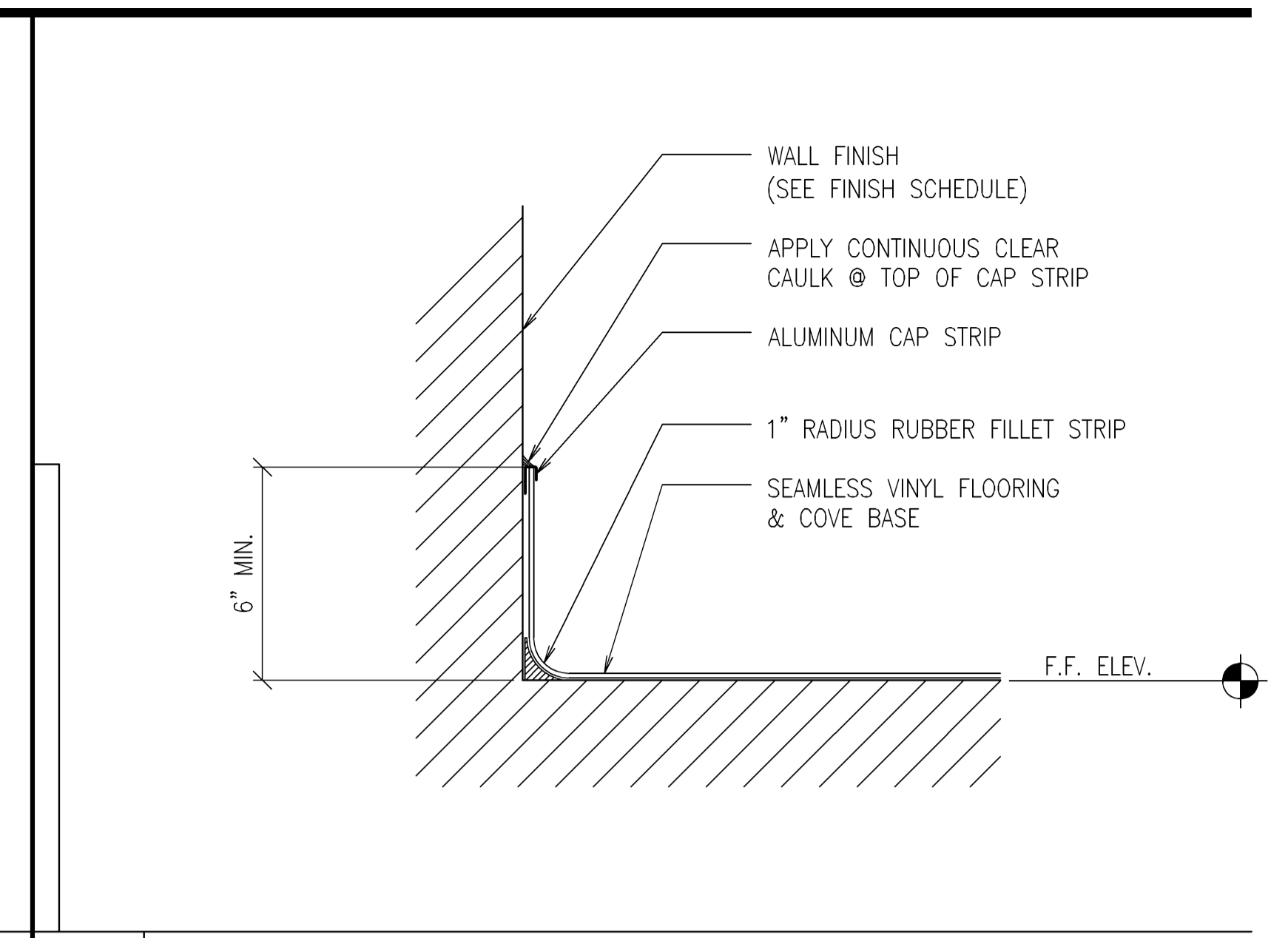
16 WALL GUARD MOUNTING TYPICAL



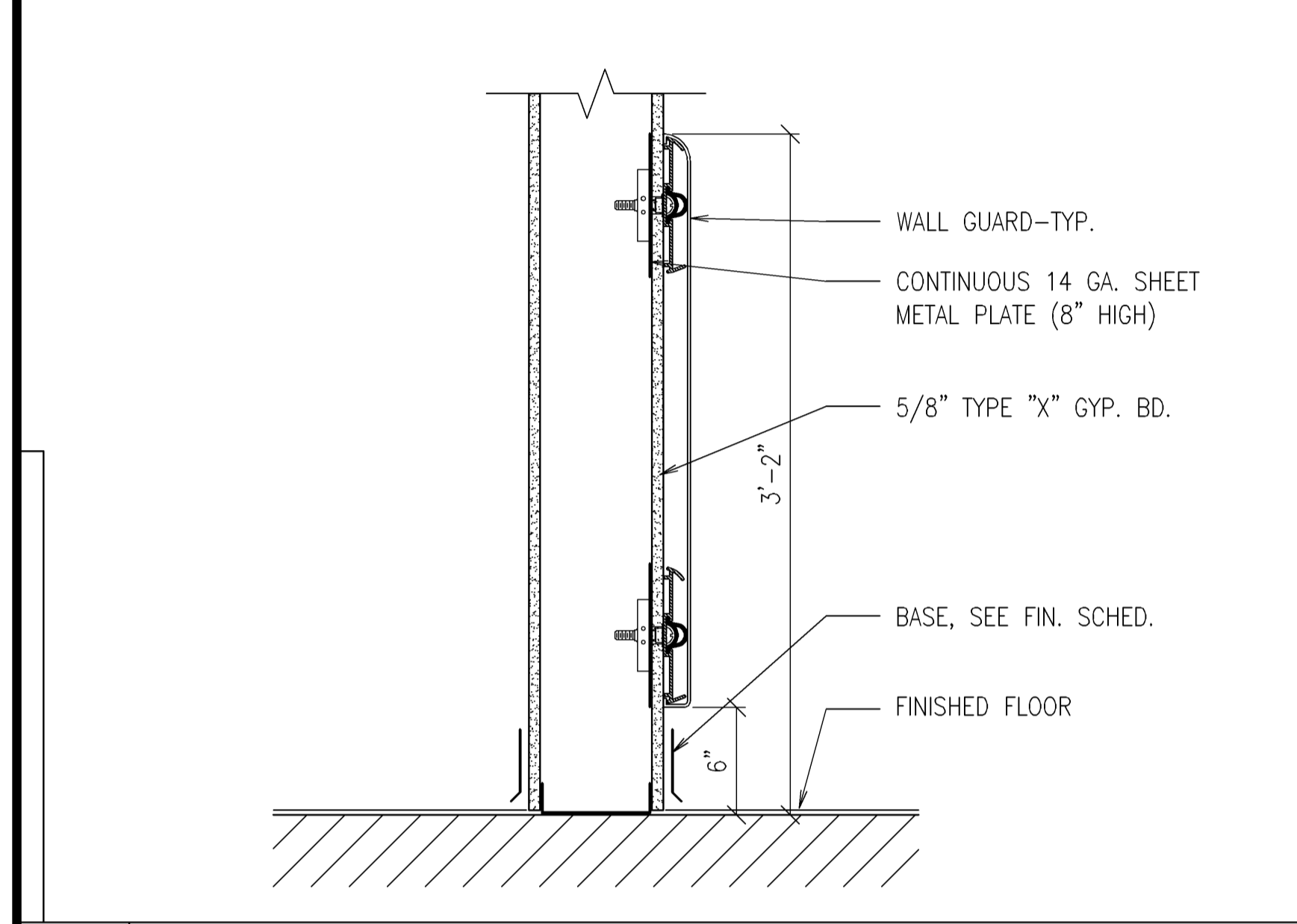
12 COLUMN D-5



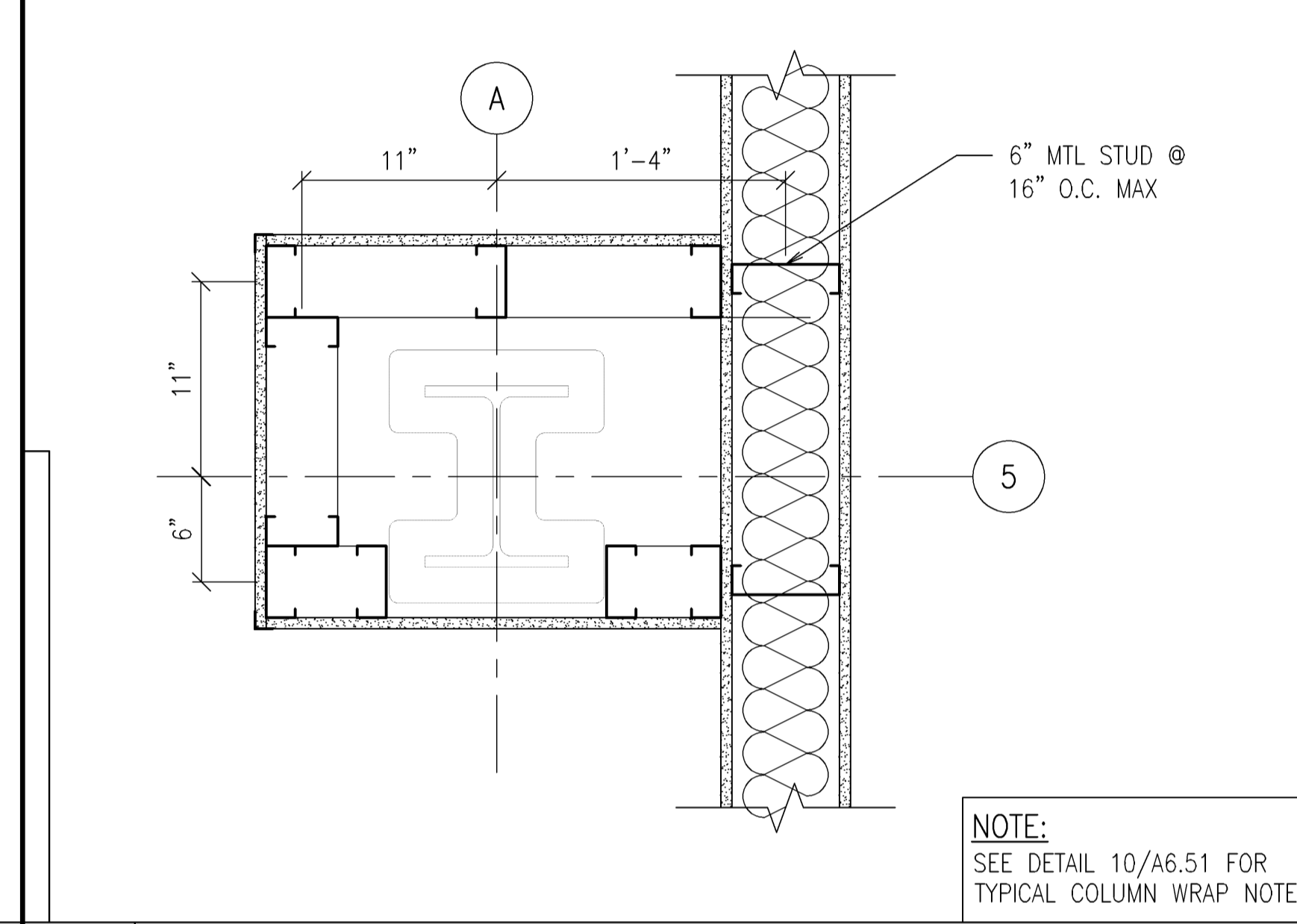
8 WALL GUARD MOUNTING TYPICAL



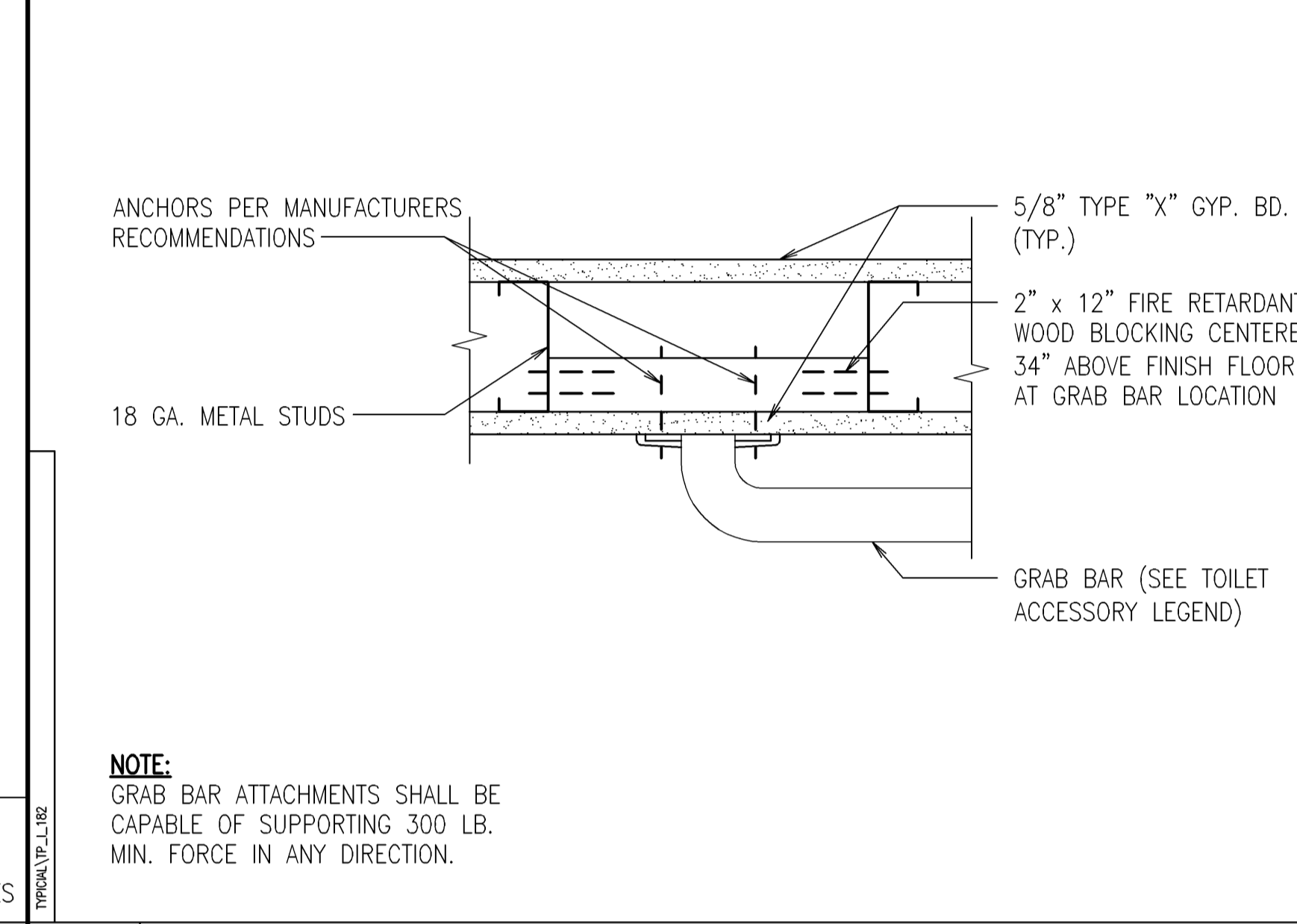
4 SEAMLESS VINYL FLOORING & COVE BASE



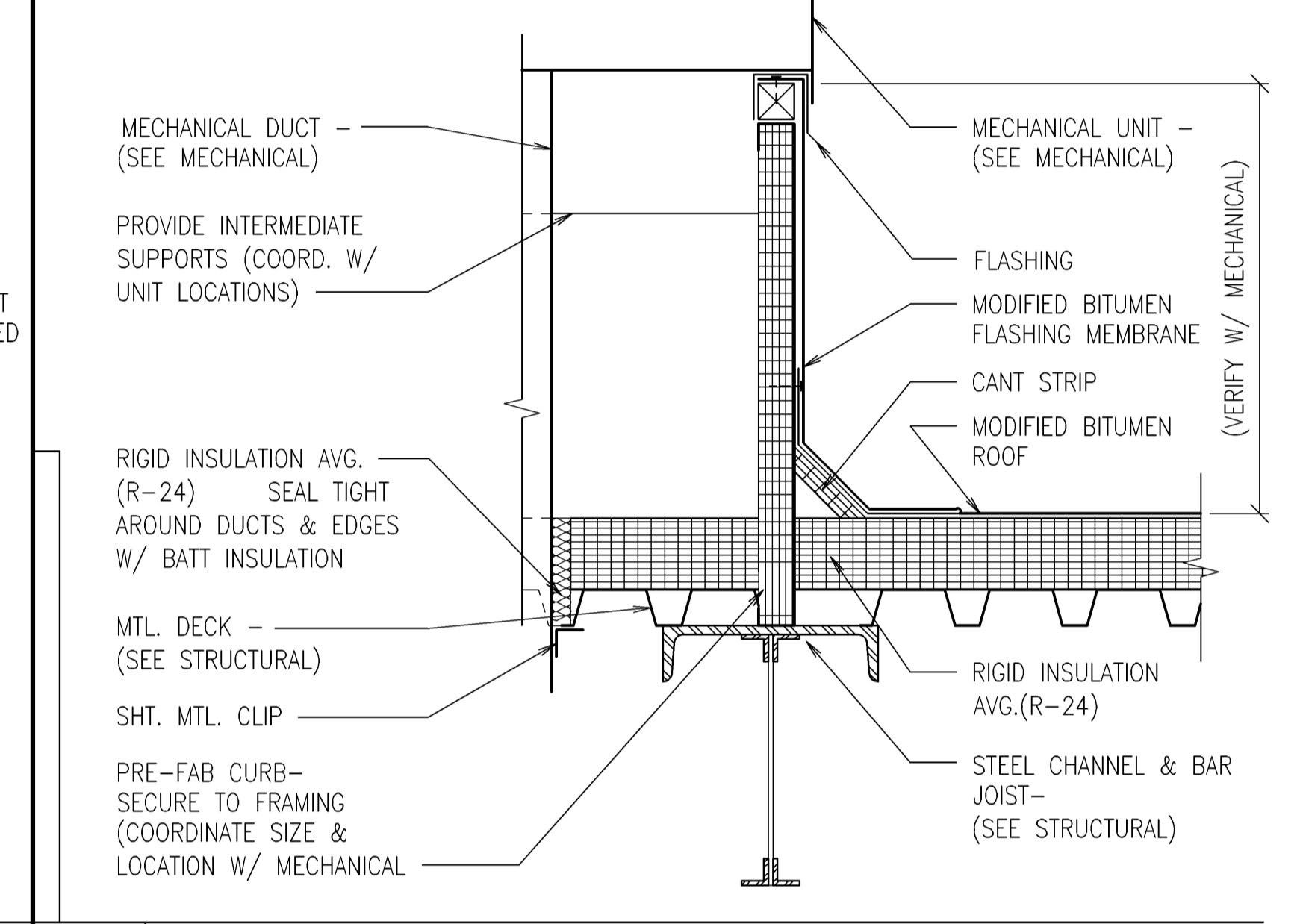
15 WALL GUARD MOUNTING



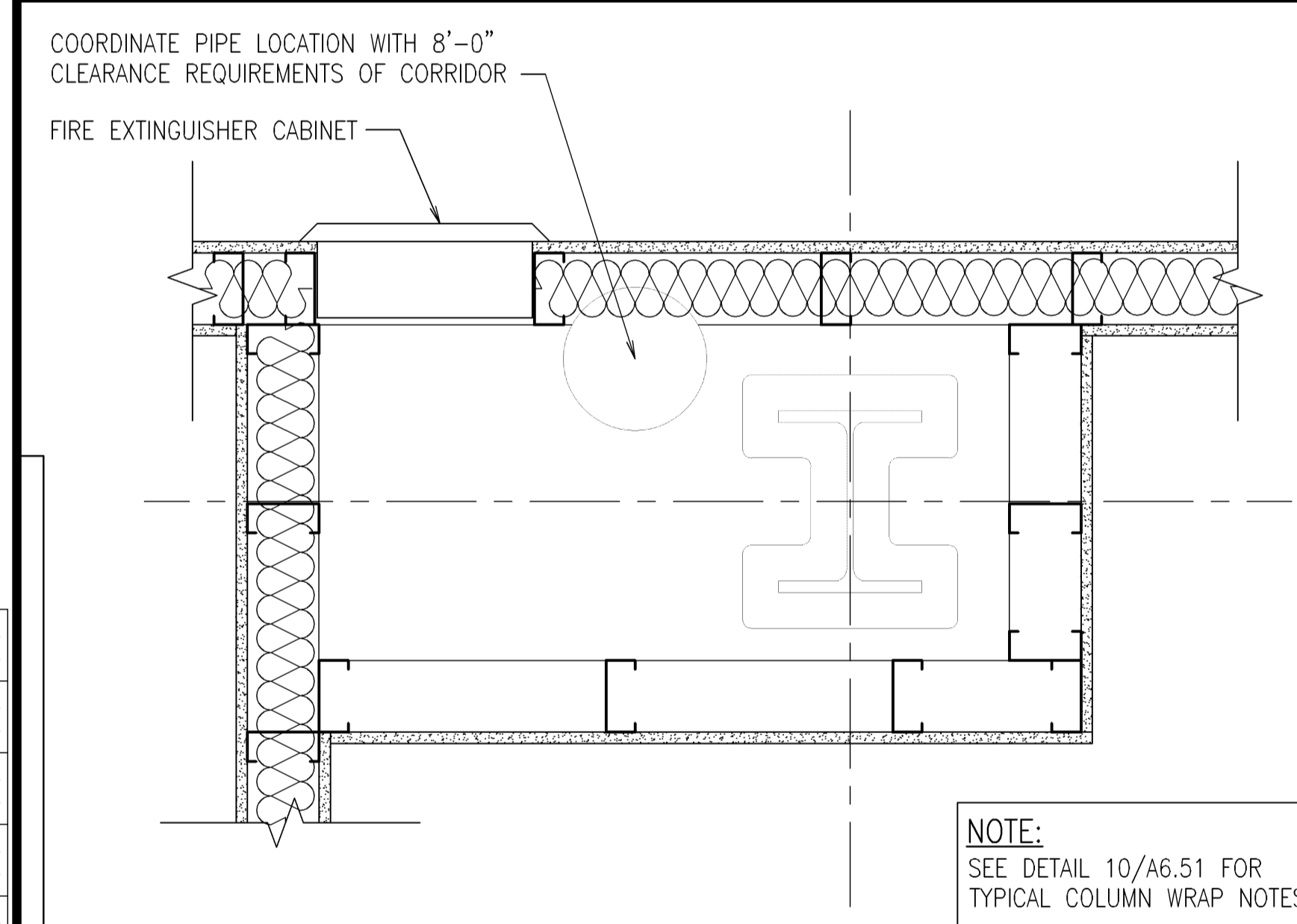
11 COLUMN A-5



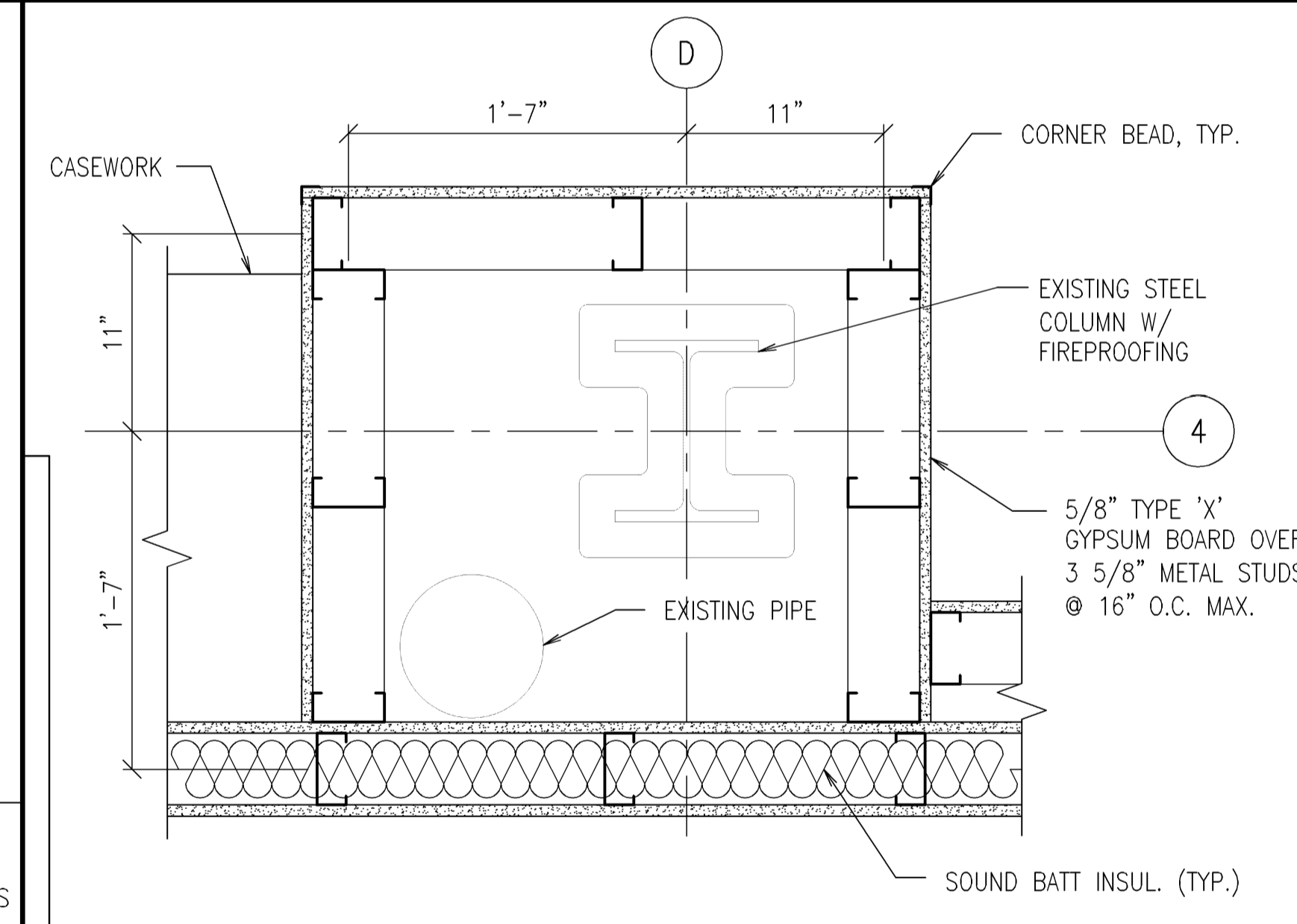
7 GRAB BAR ATTACHMENT - MTL. STUD N.T.S.



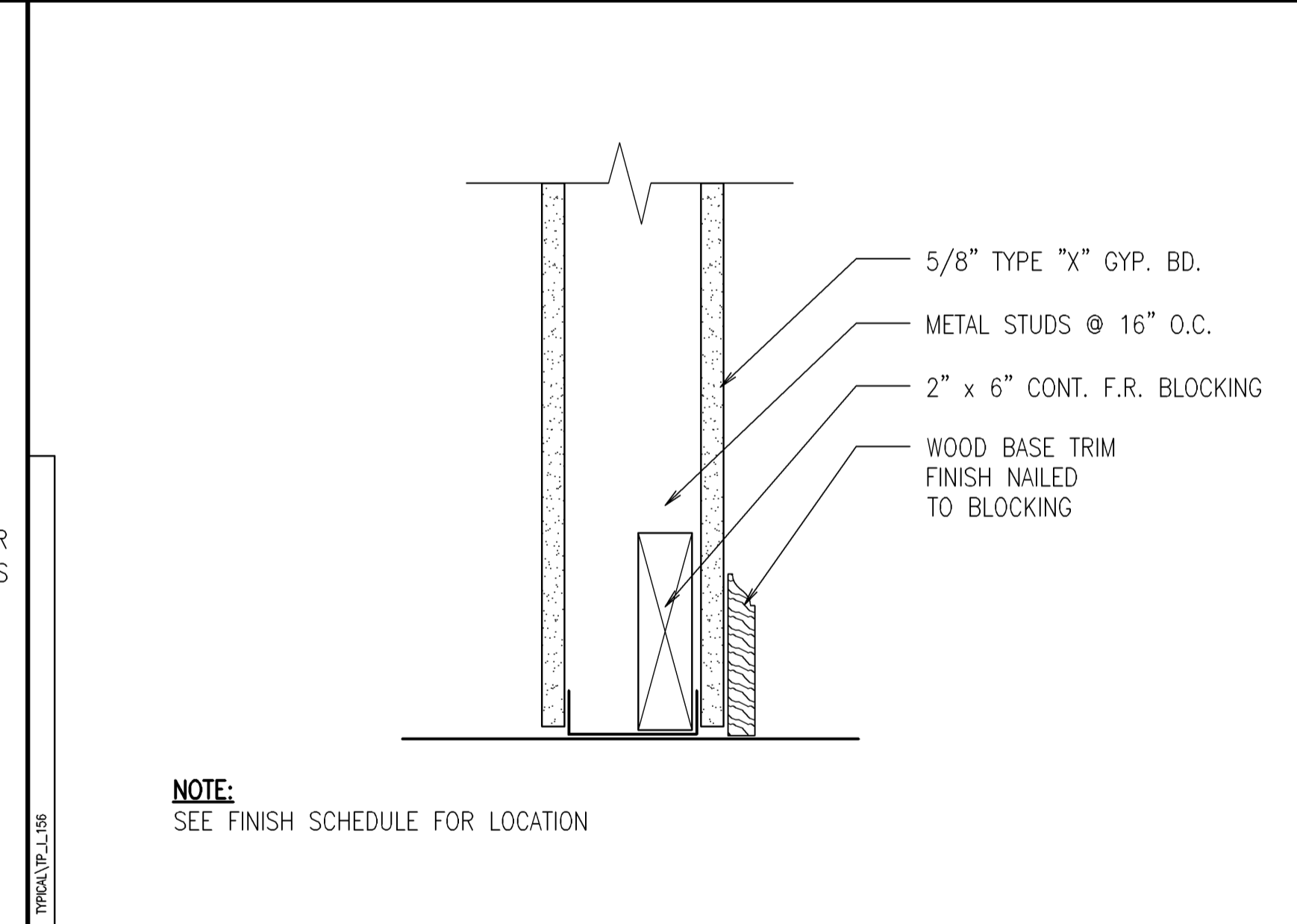
3 MECHANICAL CURB



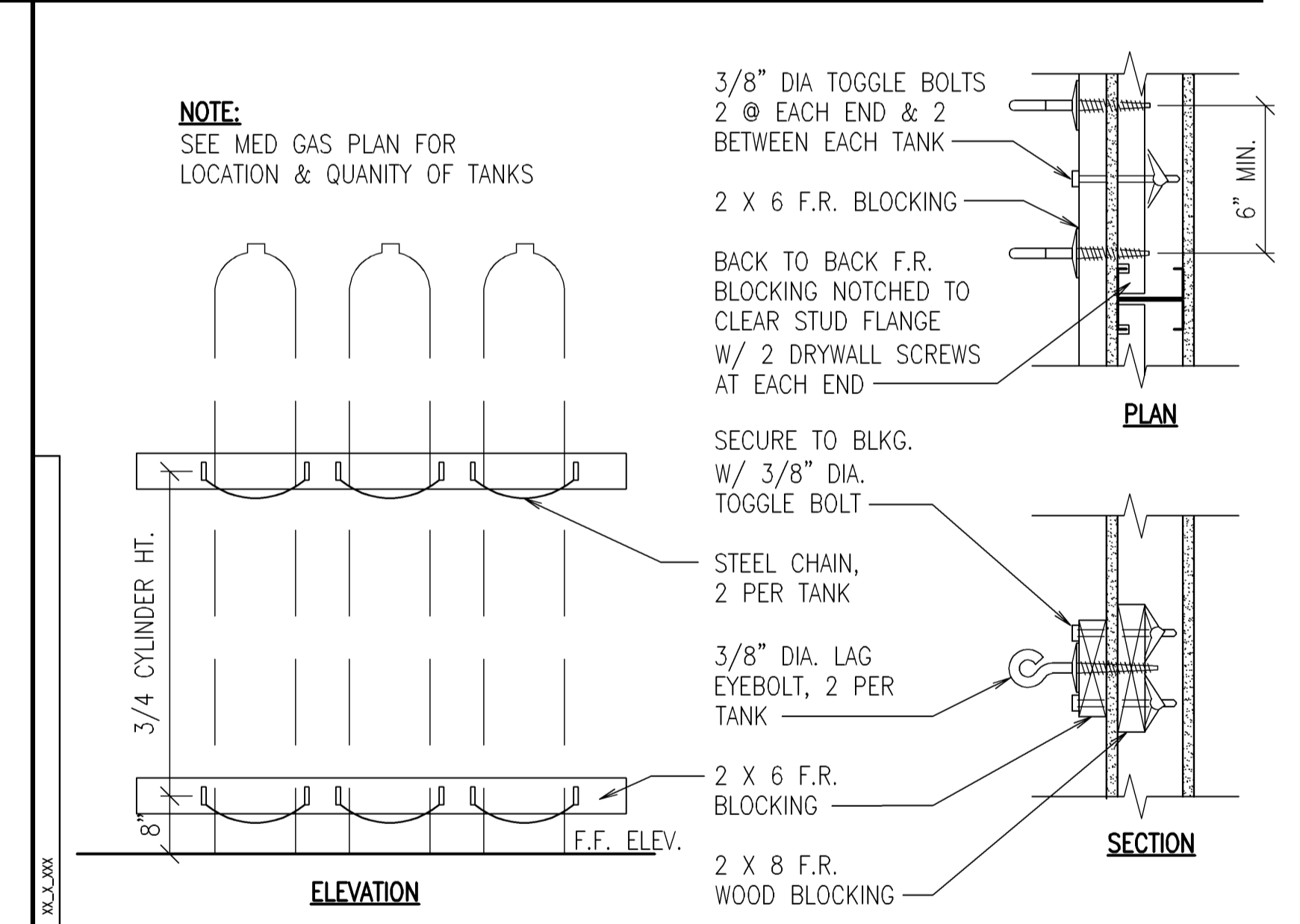
14 COLUMN D-6



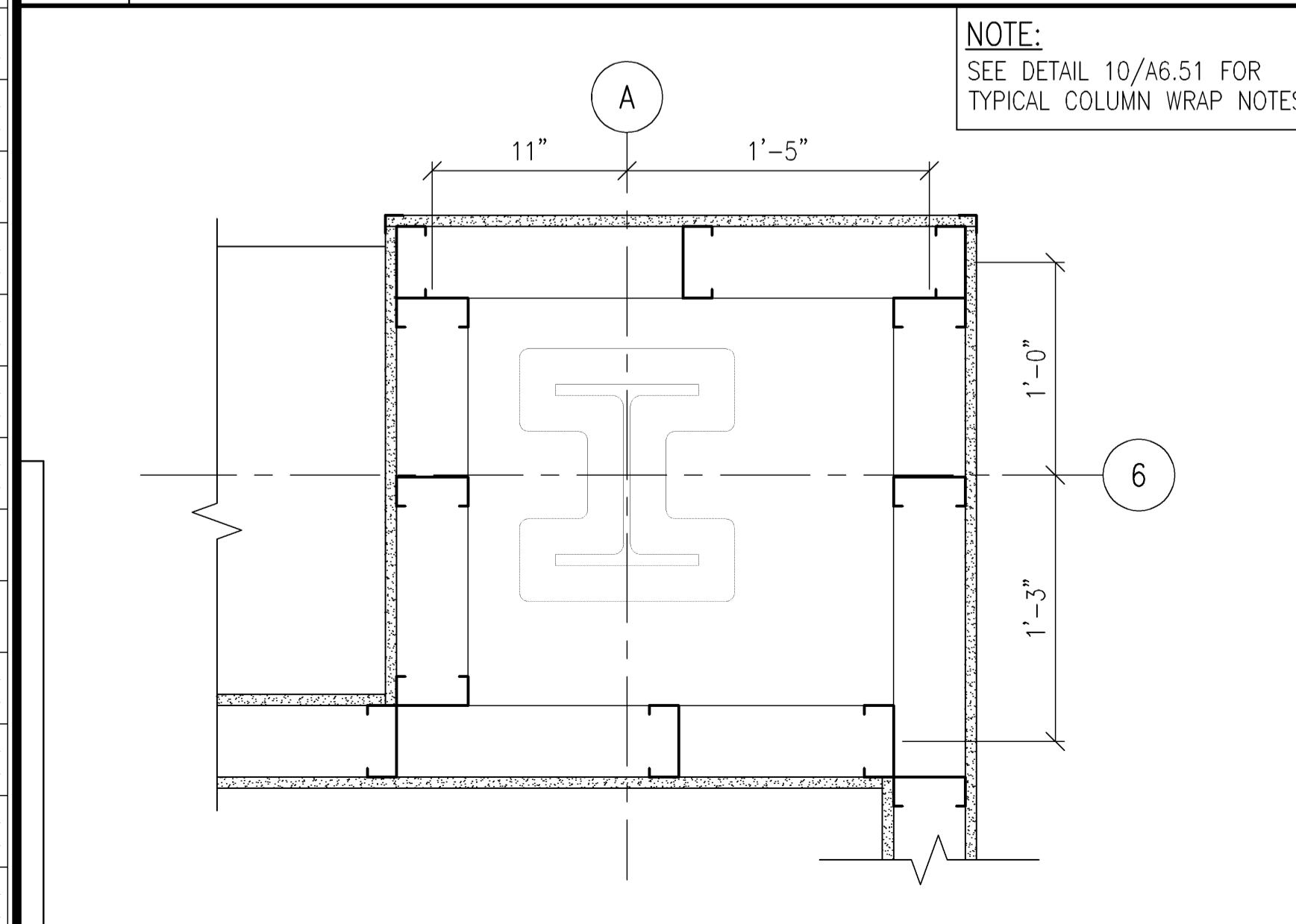
10 COLUMN D-4



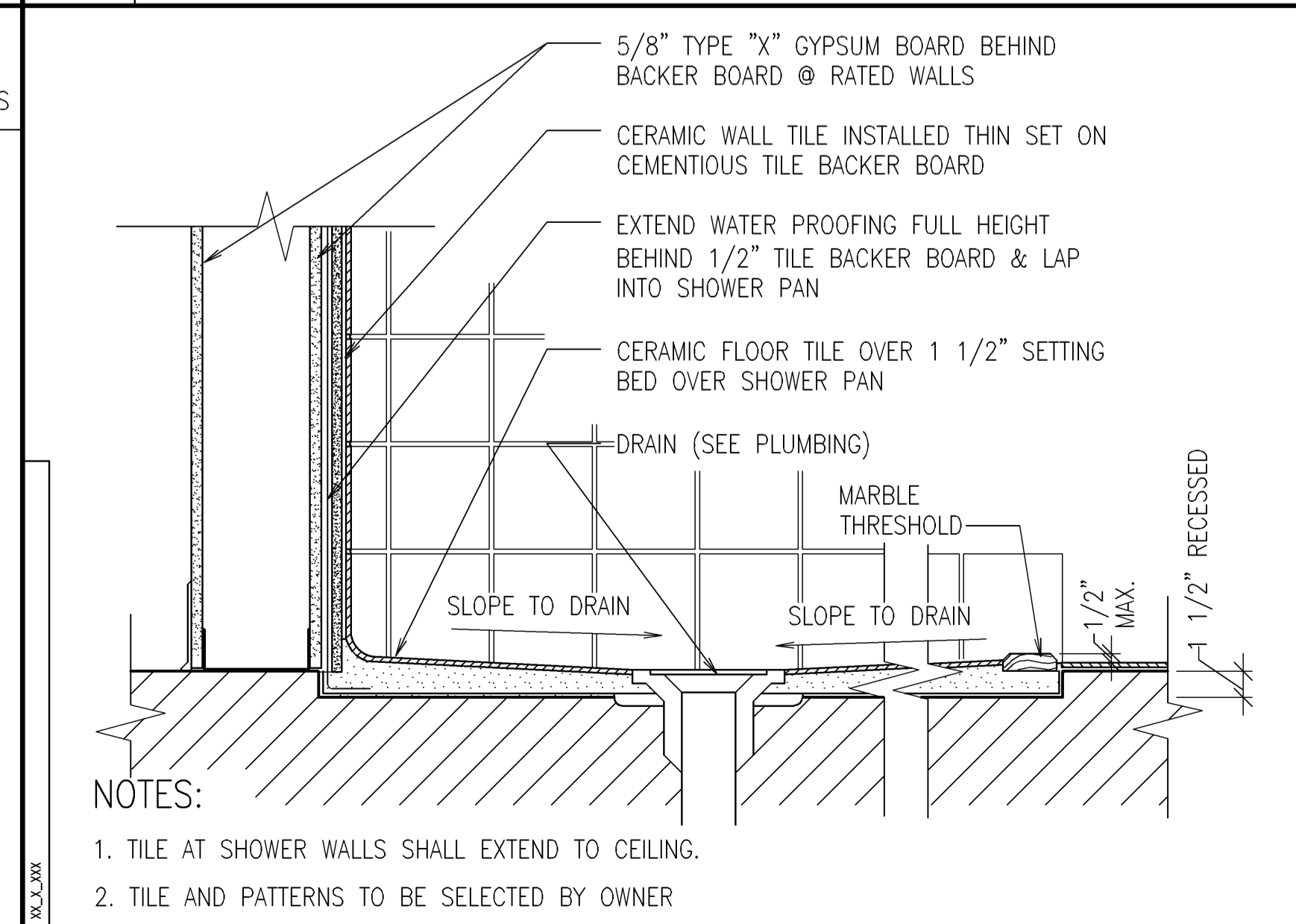
6 BLOCKING @ WOOD BASE N.T.S.



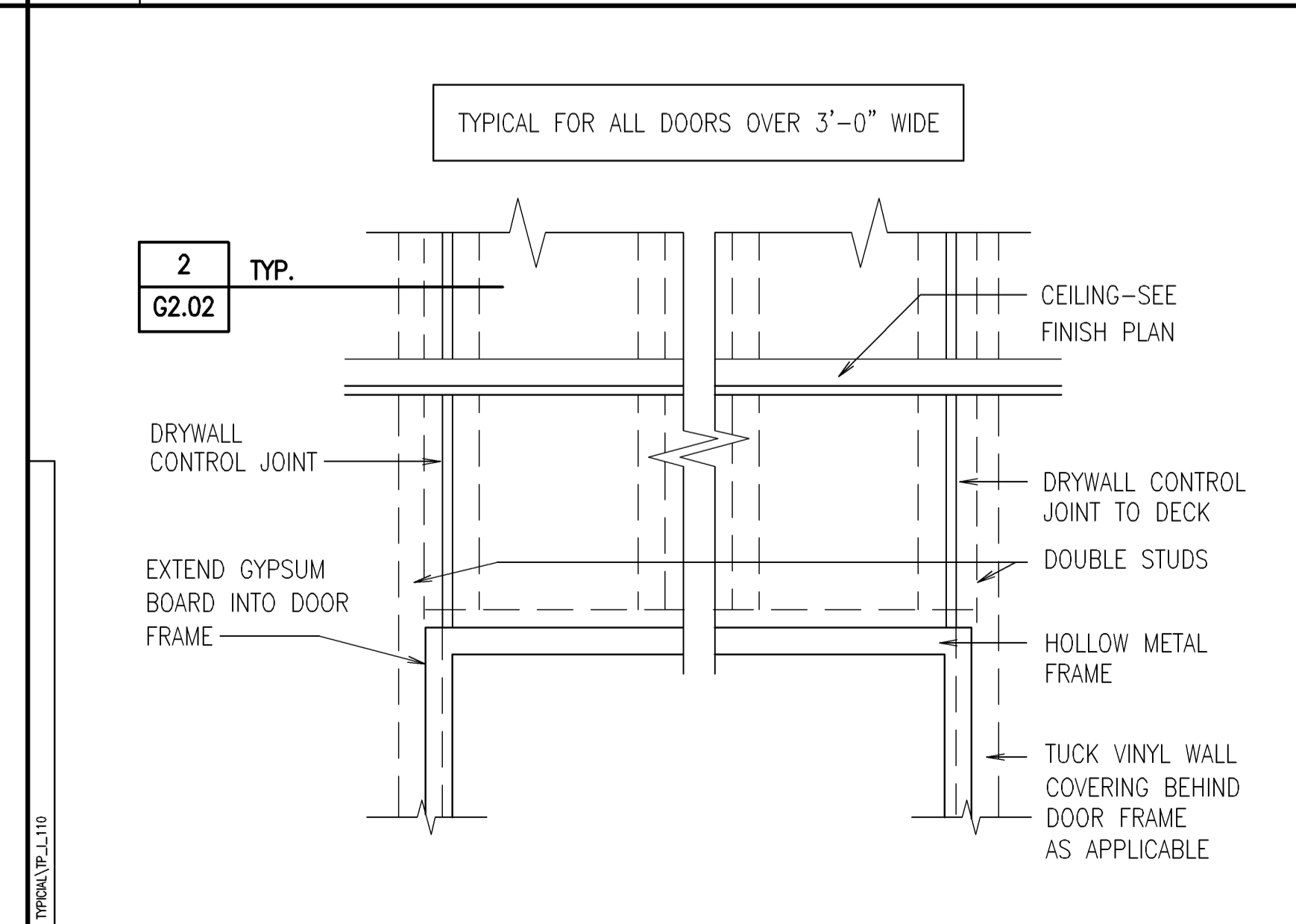
2 CYLINDER RETAINER N.T.S.



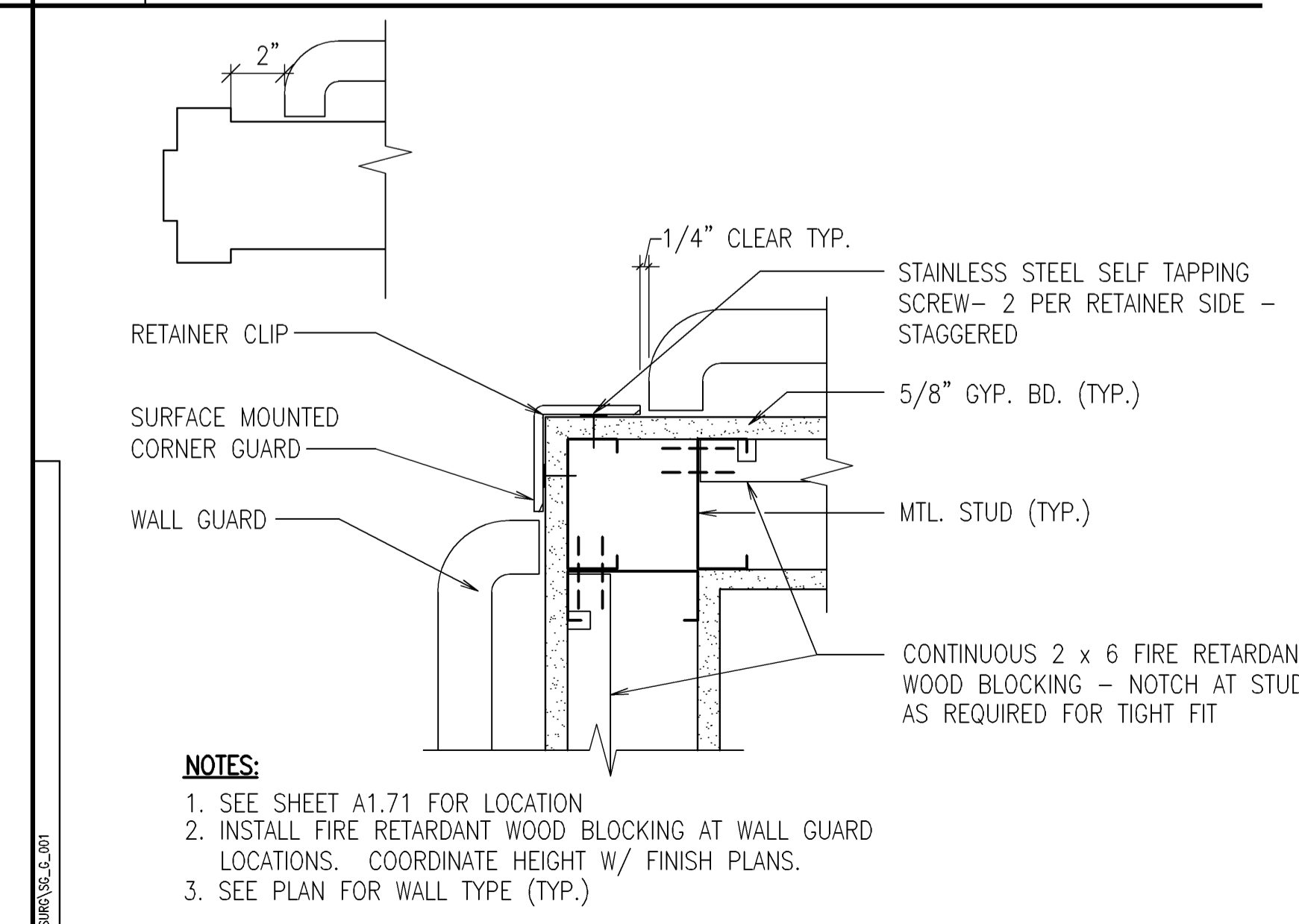
13 COLUMN A-6



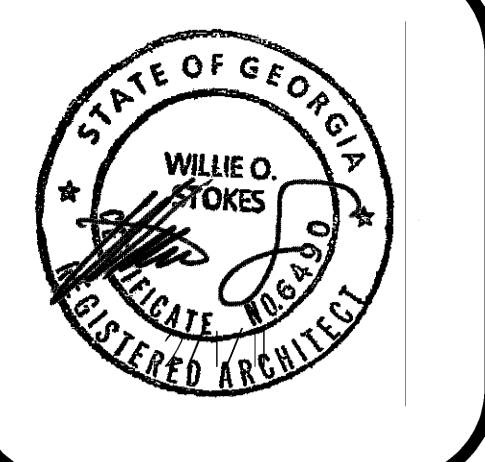
9 THICK SET TILE ACCESSIBLE SHOWER N.T.S.



5 CONTROL JOINT @ DOOR N.T.S.



1 CORNER GUARD & WALL GUARD N.T.S.



SURGERY CENTER OF ATHENS
 AT
 ATHENS MEDICAL PLAZA I
 2142 WEST BROAD STREET
 ATHENS, GEORGIA

THIS DRAWING CONTAINS INFORMATION THAT IS PROPRIETARY TO DAVIS, STOKES COLLABORATIVE P.C. THIS CONTENTS MAY NOT BE REPRODUCED OR DISCLOSED TO ANY OTHER PARTY WITHOUT THE PRIOR WRITTEN CONSENT OF DAVIS, STOKES COLLABORATIVE P.C. © COPYRIGHT 2011, ALL RIGHTS RESERVED.

DAVIS · STOKES
 COLLABORATIVE, P.C.
 A · R · C · C · H · I · T · E · C · T · S
 7121 CROSSROADS BLVD. BRENTWOOD, TENNESSEE 37027
 TEL: 615-726-0010 FAX: 615-726-2090
 EMAIL: dsccol@aescoll.com
 http://www.dsccol.com

REVISION		
NO.	DATE	DESCRIPTION

A6.51
 ISSUE DATE: 02.01.11 JOB NUMBER: 10061